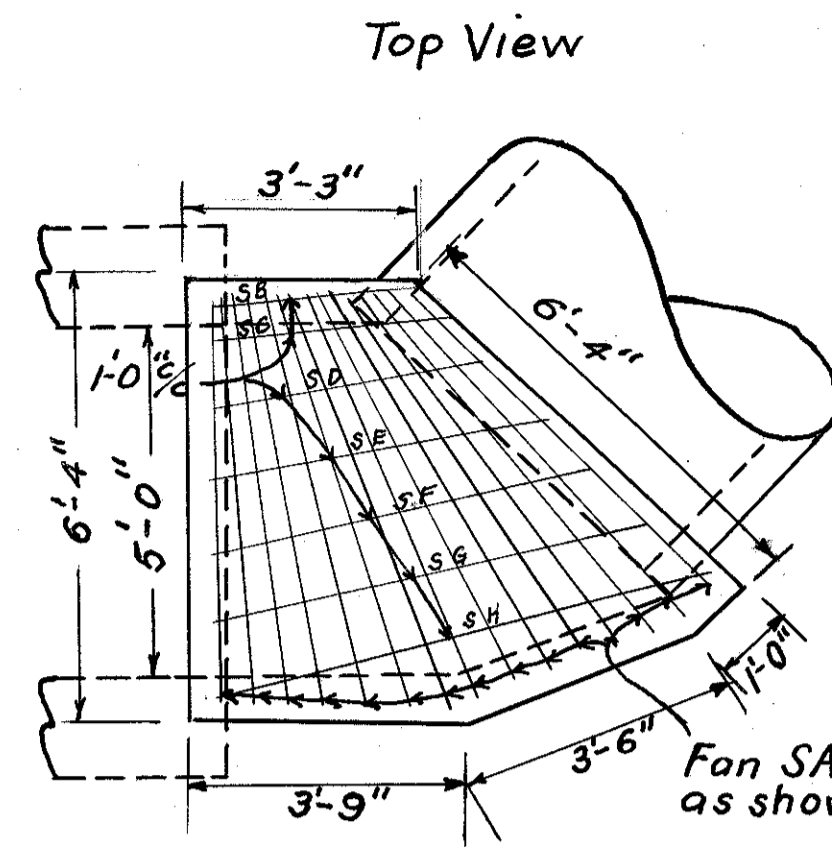


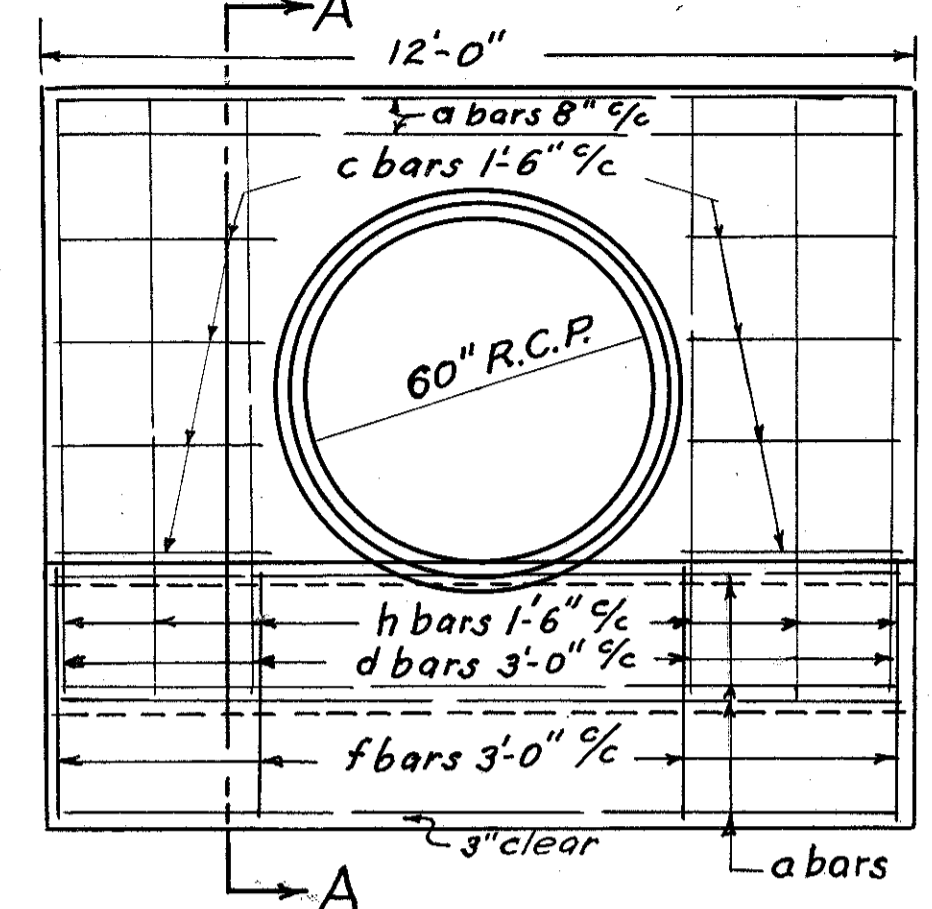
Detail of Junction Box Scale 3/8" = 1'



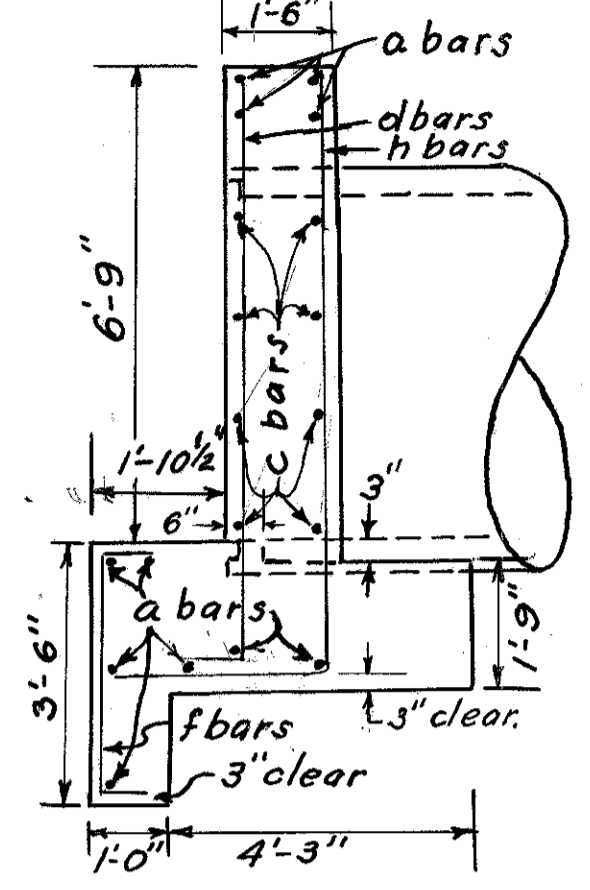
BAR LEGEND

Mark	Size	No.	Length	Wt. Lbs.
SA	6	15	6'-0"	135.180
SB	4	1	2'-6"	1.670
SC	4	1	3'-0"	2.004
SD	4	1	4'-0"	2.672
SE	4	1	4'-5"	2.950
SF	4	1	5'-5"	3.618
SG	4	1	6'-0"	4.008
SH	4	1	7'-0"	4.676
Total Wt. =				156.778

Detail of Headwall Front View

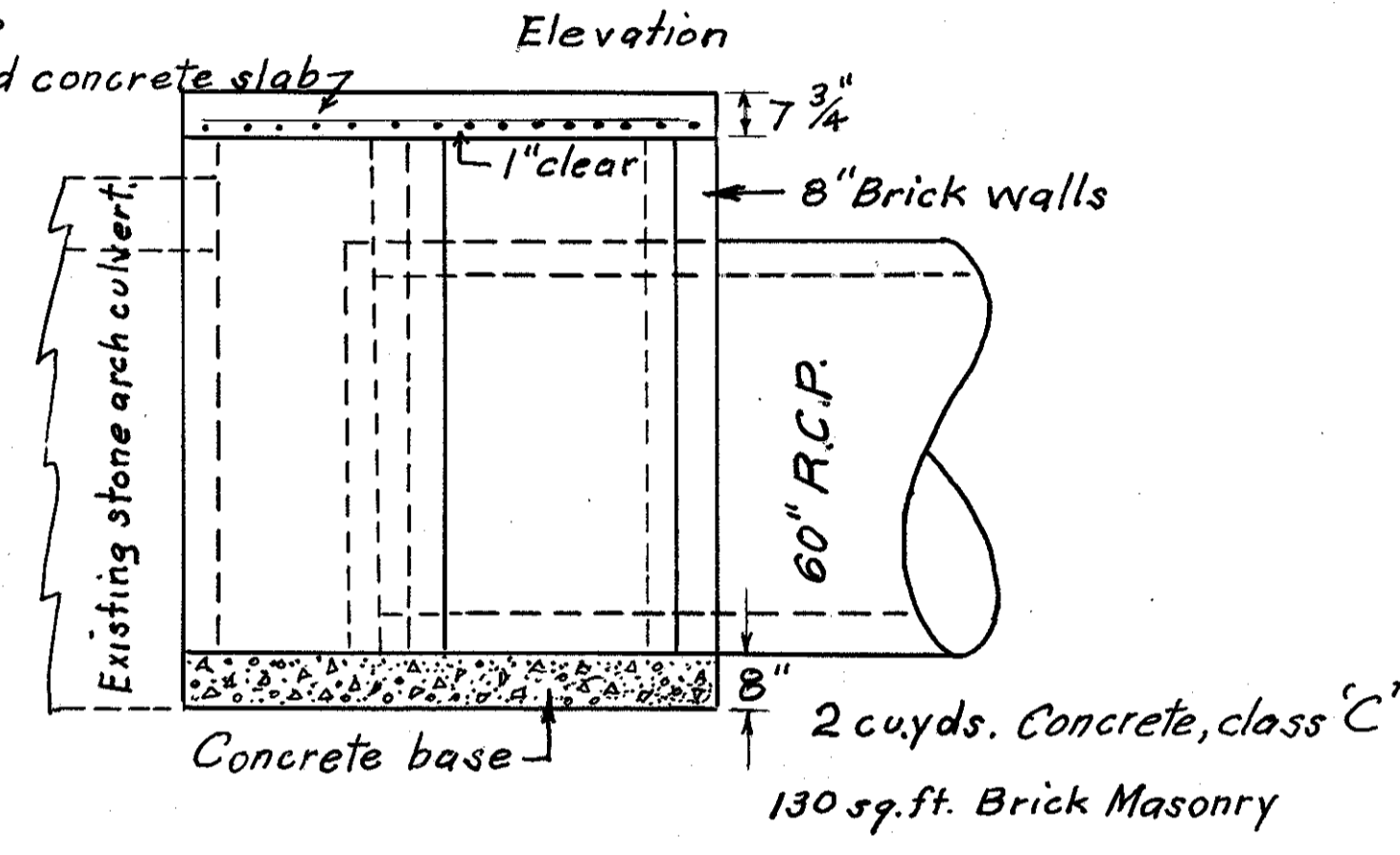


Section A-A



PROPOSAL NO. 1
LAKE COUNTY S.R. 84
SECTION 29.57 (MADISON)
STRUCTURE NO. LAK.84-2984

Work Required: Remove 300 sq. ft. of concrete sidewalk. Sidewalk to be salvaged and to be used for bank protection as directed by the Engineer. Remove and dispose of portion of existing culvert. Removal includes; existing concrete slab and corrugated metal pipe extension, culvert headwall and headwall of existing 10" vitrified sewer pipe; portion retaining wall and all necessary excavation with the alteration and extension called for on the plans.
Construct junction box at inlet of existing stone arch culvert and place and connect 64 lin. ft. of 60" R.C.P. Build headwall and connect 10" V.S.P. to 60" R.C.P. extension, as shown per detail plan. Grade area as shown by cross-section. Place concrete sidewalk.
Repoint stone arch culvert and repair disintegrated stone masonry to restore existing culvert to its original lines and sections.

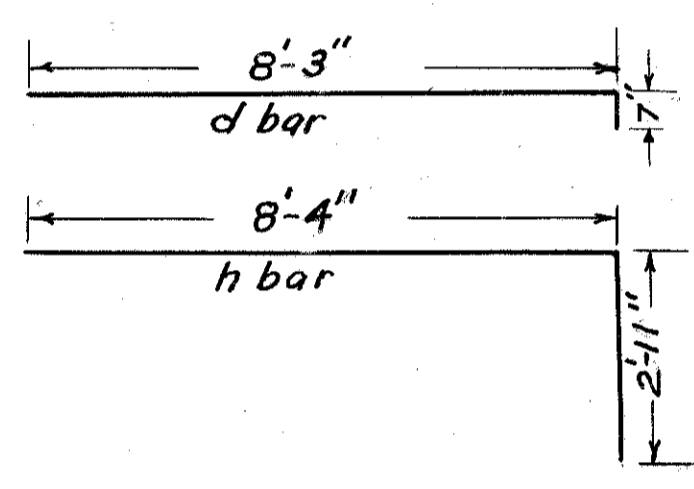


Minimum cover for reinforcing steel shall be 2" unless otherwise shown.

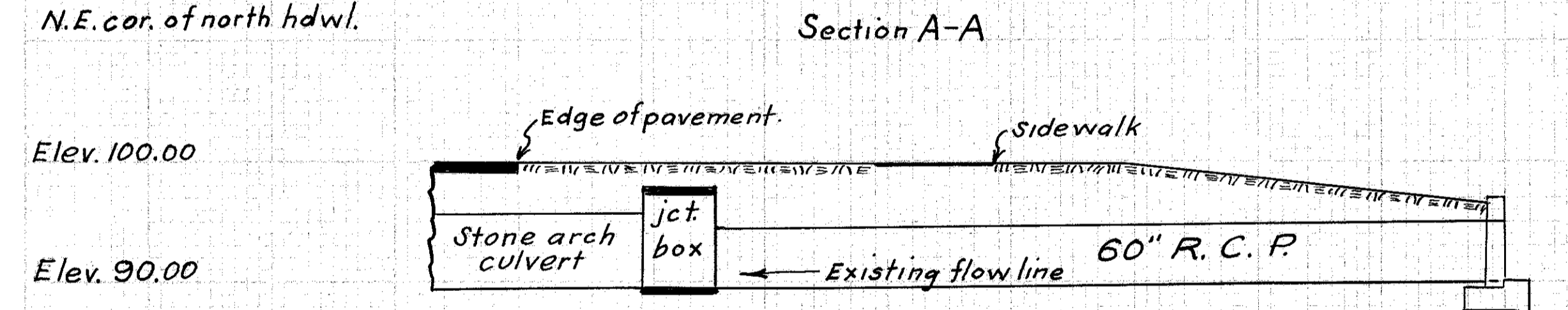
BAR LEGEND

Mark	Size	No.	Length	Wt. Lbs.
a - st.	5	11	11'-8"	133.852
c - st.	5	16	3'-0"	50.064
d - bt.	5	4	8'-10"	36.853
f - bt.	5	4	4'-1"	17.036
h - bt.	5	6	11'-3"	101.385
Total Weight =				339.190

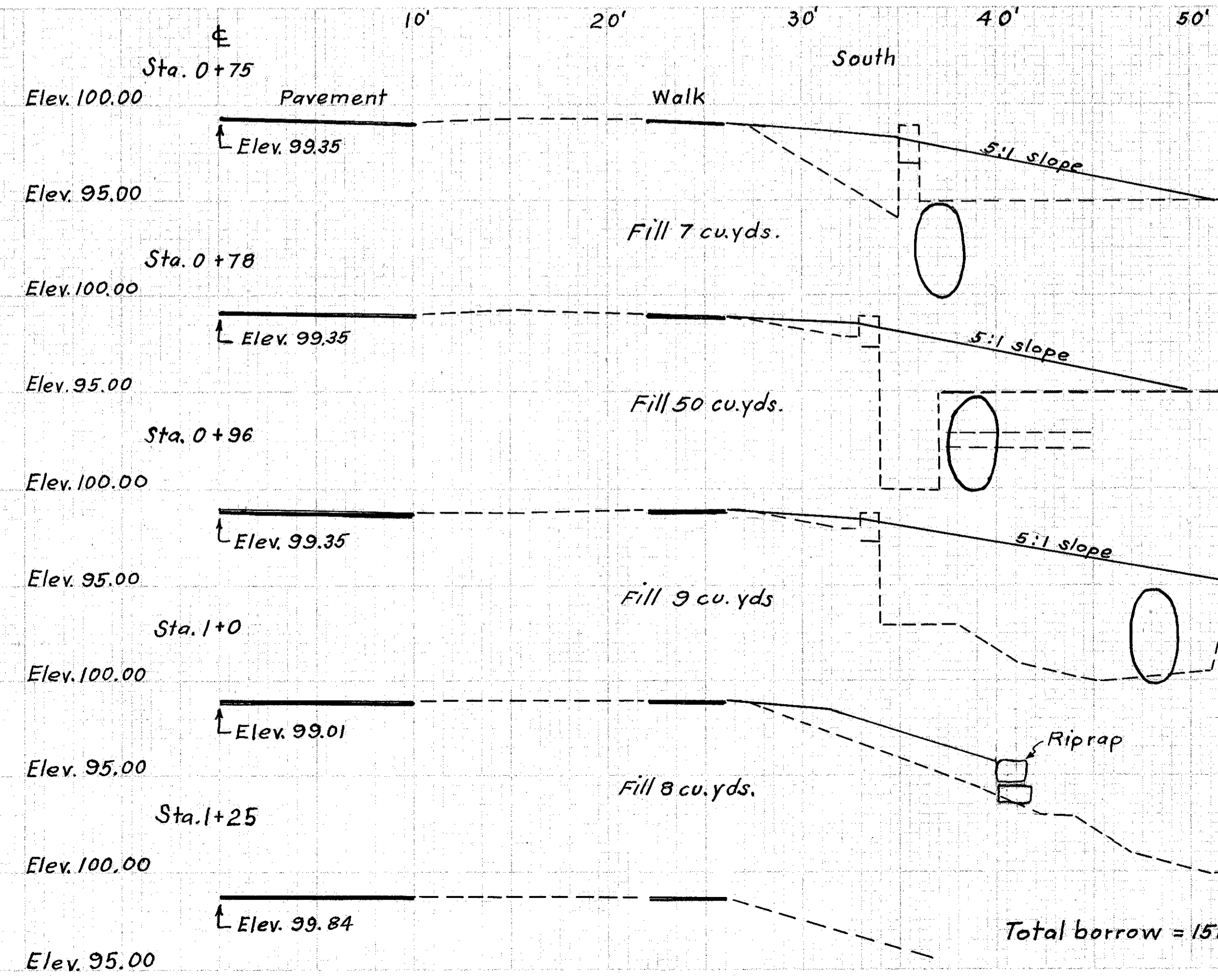
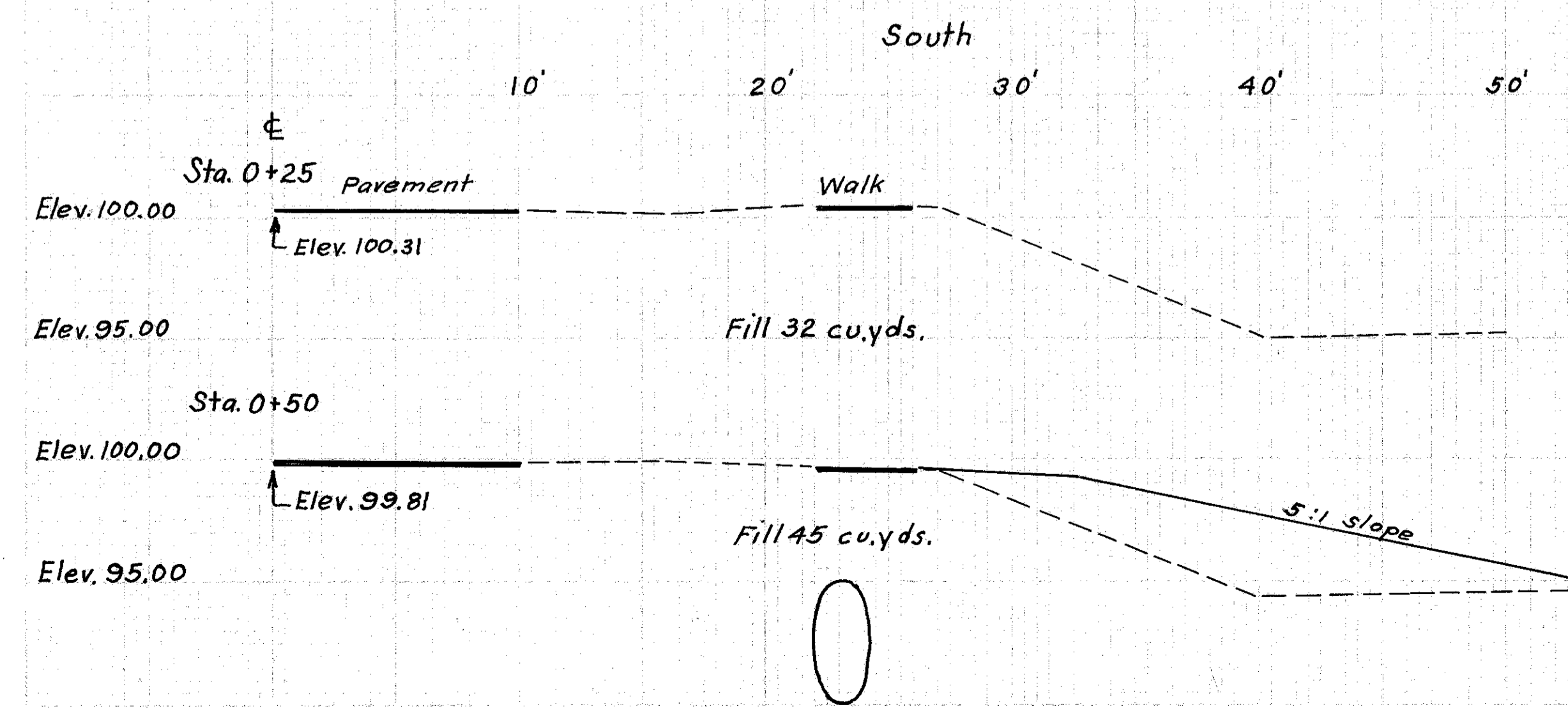
8 cu. yd. Concrete, class 'C'



B.M. = 100.00 (Assumed)
N.E. cor. of north hdwl.



CROSS-SECTION



ESTIMATED QUANTITIES

Item No.	Quantities	Description
E-2	10 cu. yds.	Excavation (Wet)
E-4	185 cu. yds.	Borrow (Backfill and embankment)
E-8	300 sq. ft.	Sidewalk Removal
S-1	10 cu. yds.	Concrete, class 'C'
S-4	496 lbs.	Reinforcing steel
S-22	Lump	Removal of portion of existing structure. (Including all necessary excavation with the alteration and extension called for on the plans)
S-27	64 lin. ft.	60" Reinforced concrete pipe M-6.6(b)
I-10	10 sq. yds.	Riprap (salvaged conc. sidewalk)
I-13	300 sq. ft.	Sidewalk, concrete, class 'C'
Special	130 sq. ft.	Brick masonry (Jct. box)
Special	Lump	Repoint and repair existing stone arch culvert.