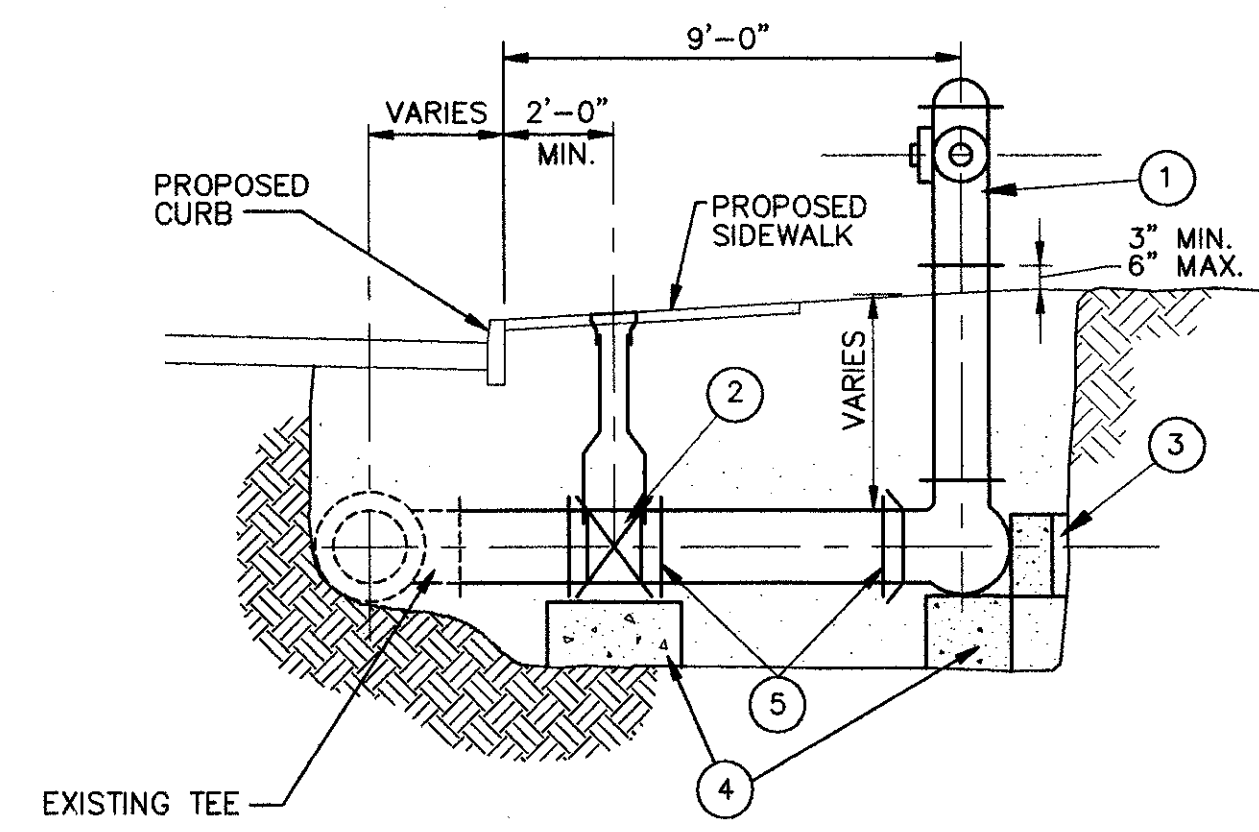


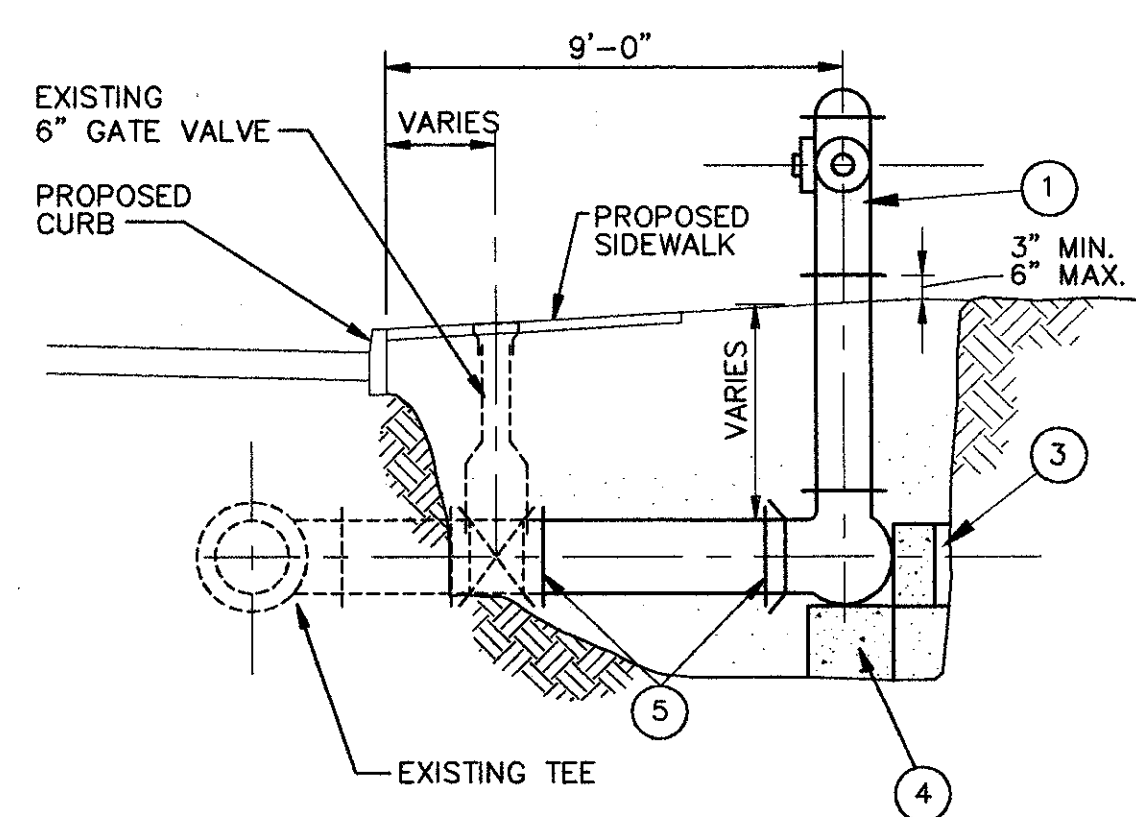
WATERWORKS DETAILS

PLAN NO. 271

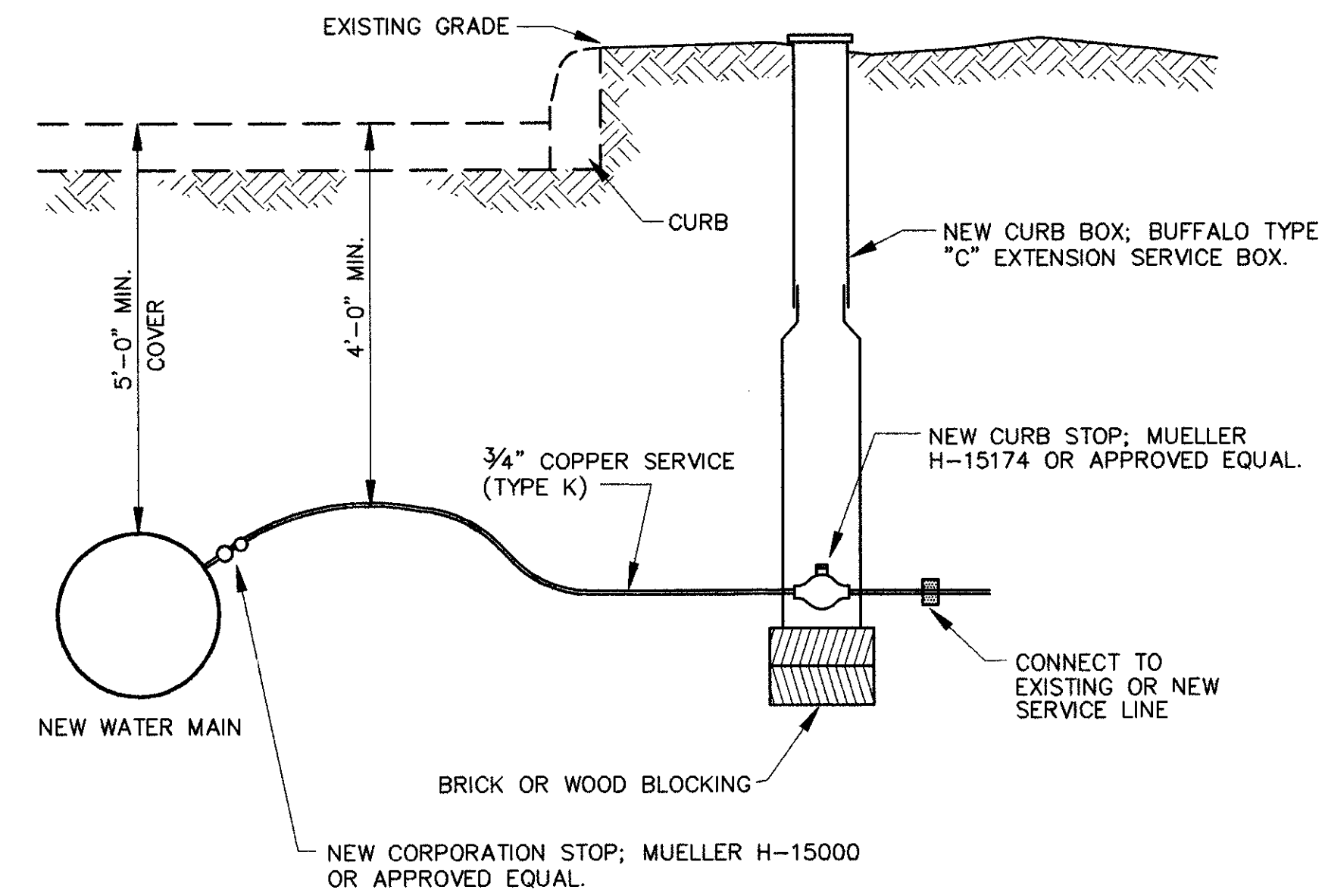


ITEM 638 - FIRE HYDRANT AND GATE VALVE REMOVED AND RESET, AS PER PLAN

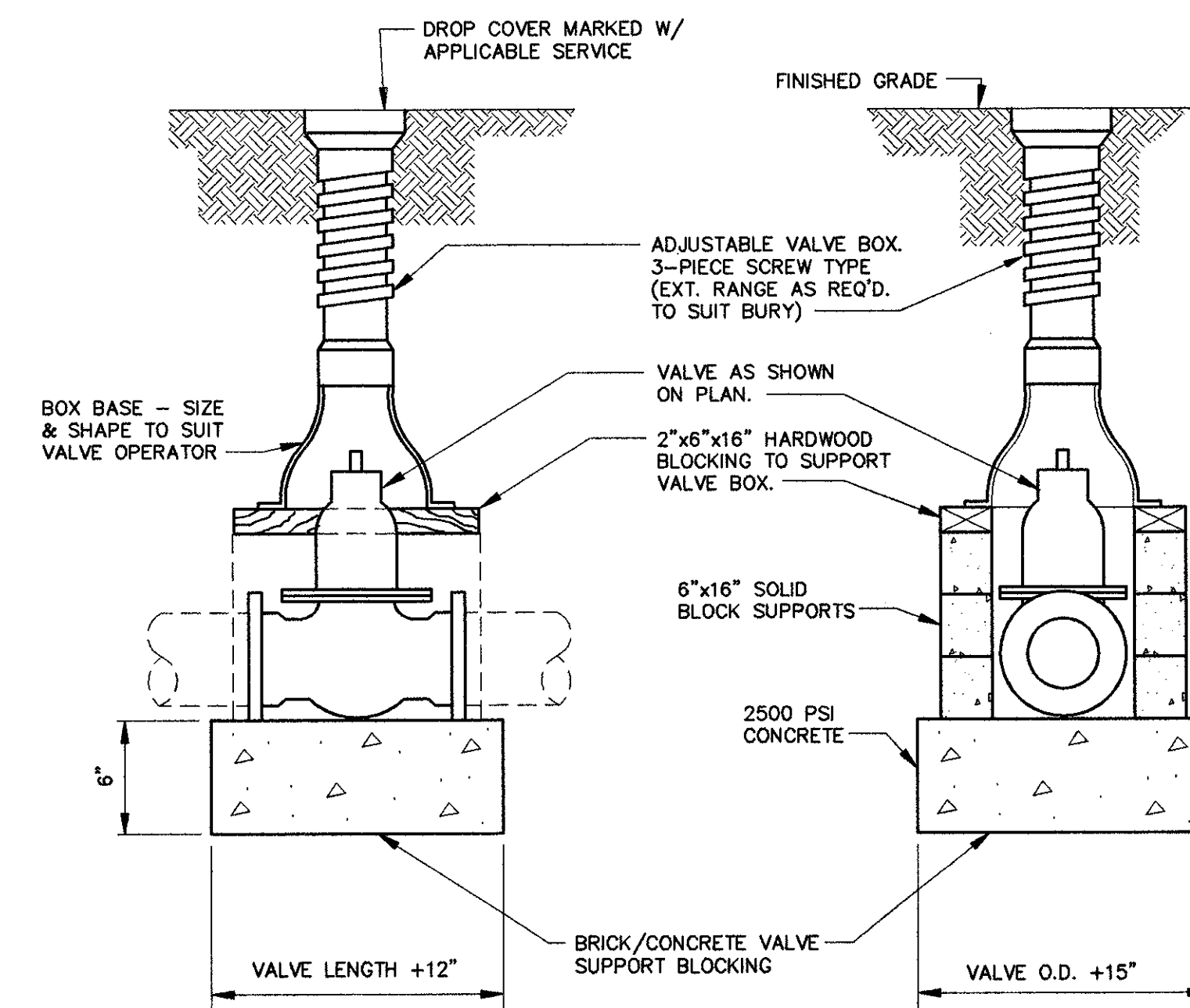
- ① HYDRANT, PER SPECIFICATIONS
- ② 6" GATE VALVE
- ③ CONCRETE BLOCKING WITH OAK WEDGES AGAINST UNDISTURBED EARTH
- ④ CONCRETE SUPPORT BLOCKING
- ⑤ RETAINER GLANDS



ITEM 638 - FIRE HYDRANT EXTENDED AND ADJUSTED TO GRADE



WATER SERVICE CONNECTION DETAIL



TYPICAL VALVE AND VALVE BOX SETTING