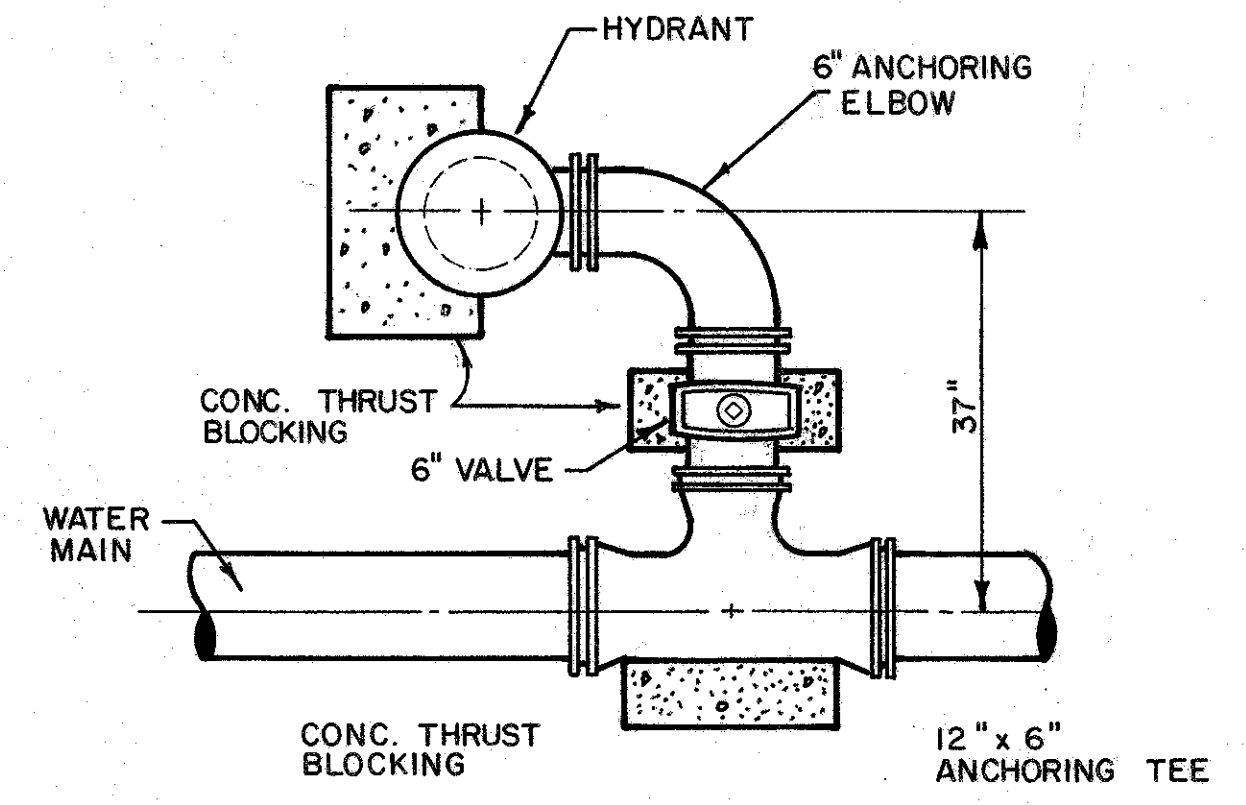
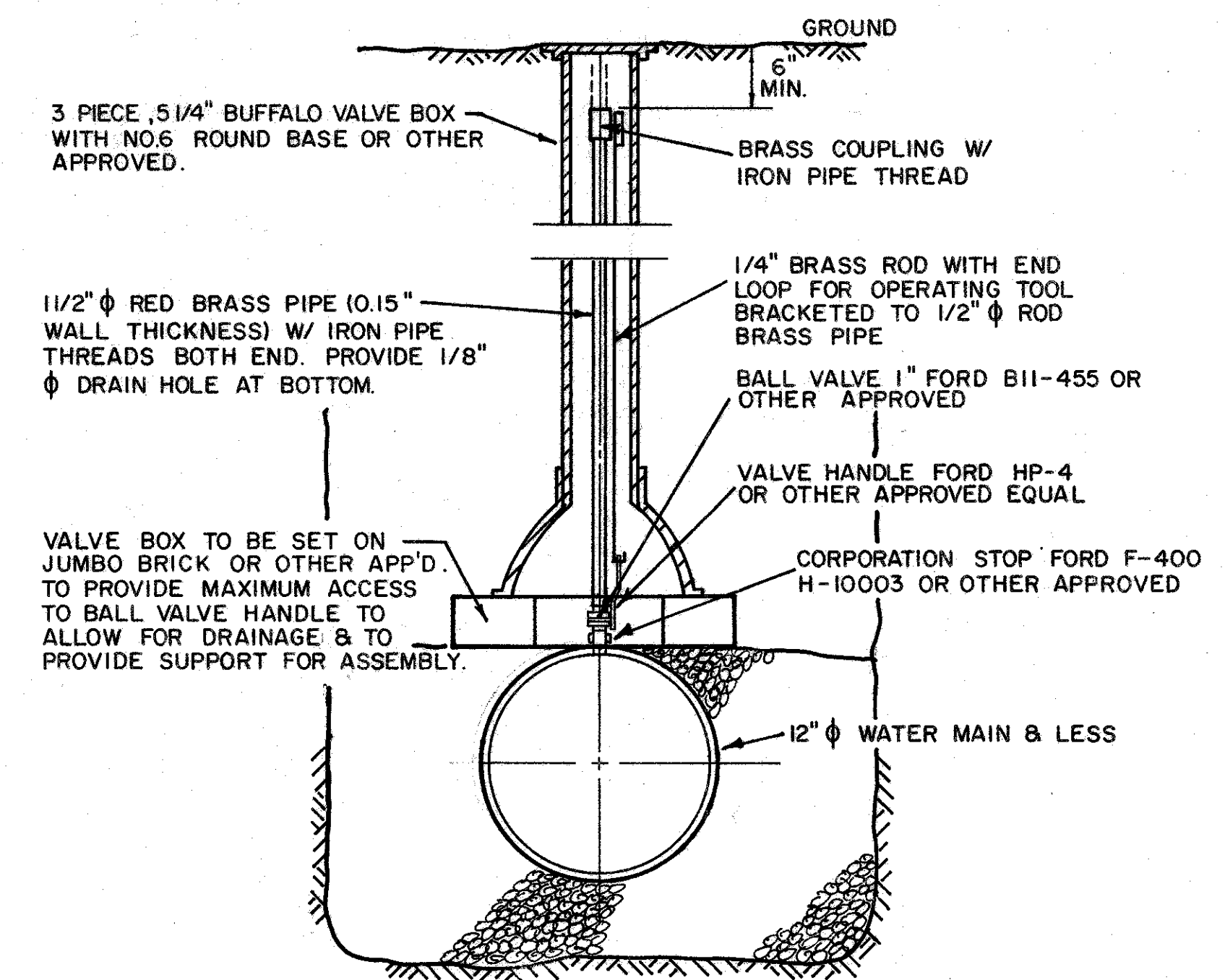


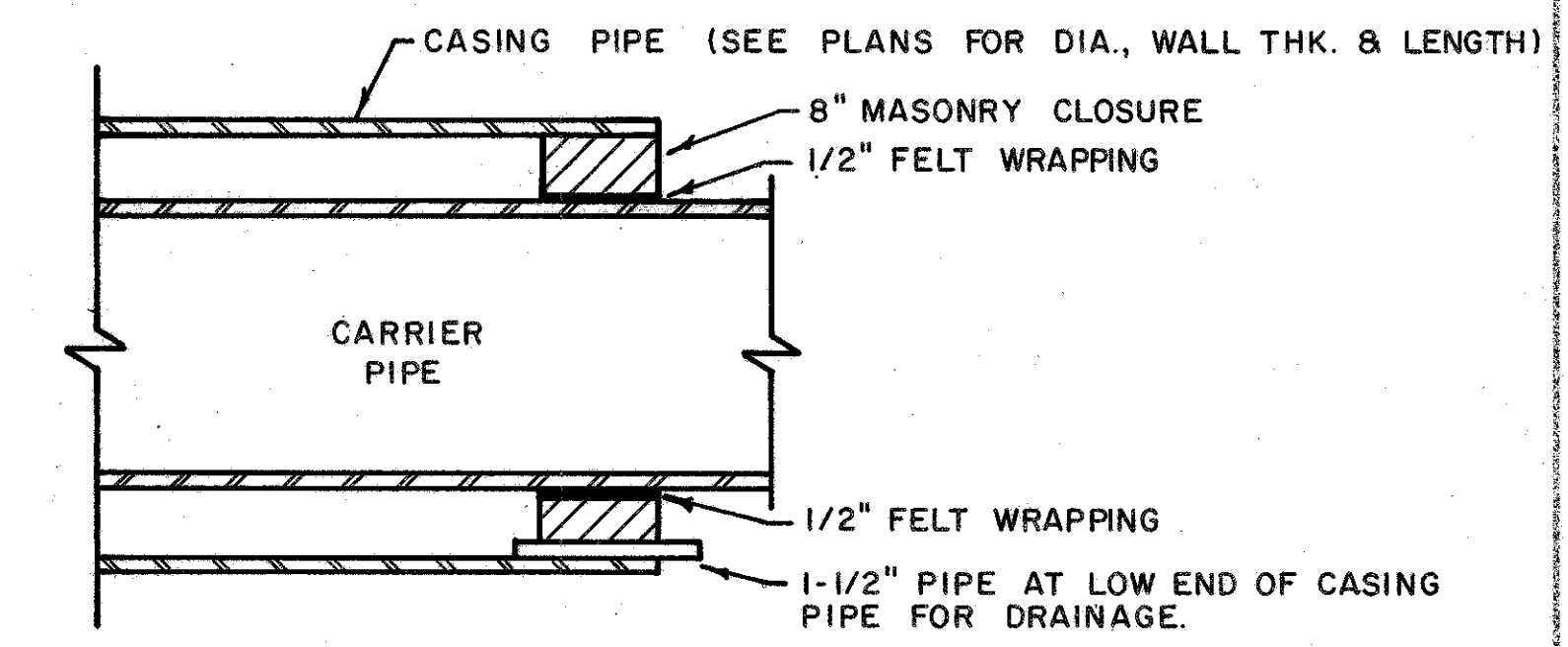
TYPICAL HYDRANT
NO SCALE



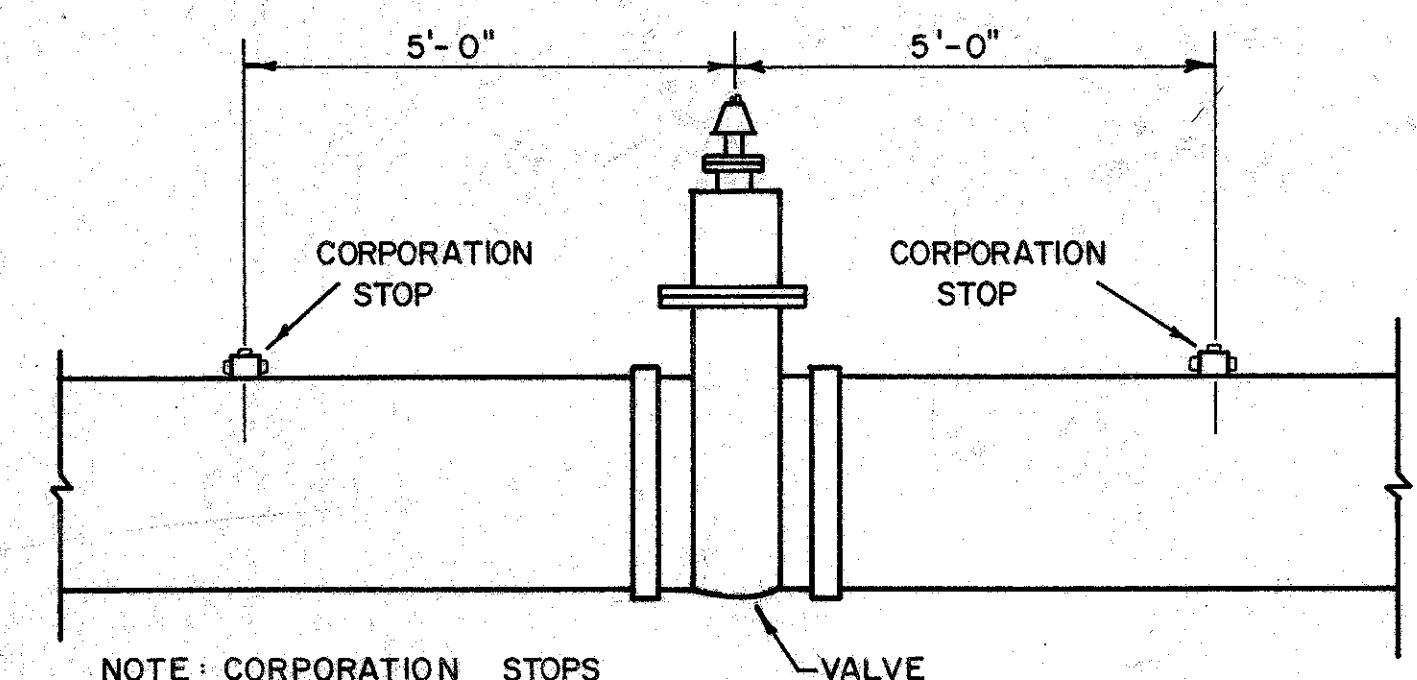
TYPE 'B' HYDRANT
NO SCALE



BLOW-OFF ASSEMBLY
FOR 12" ϕ PIPE & LESS
NO SCALE



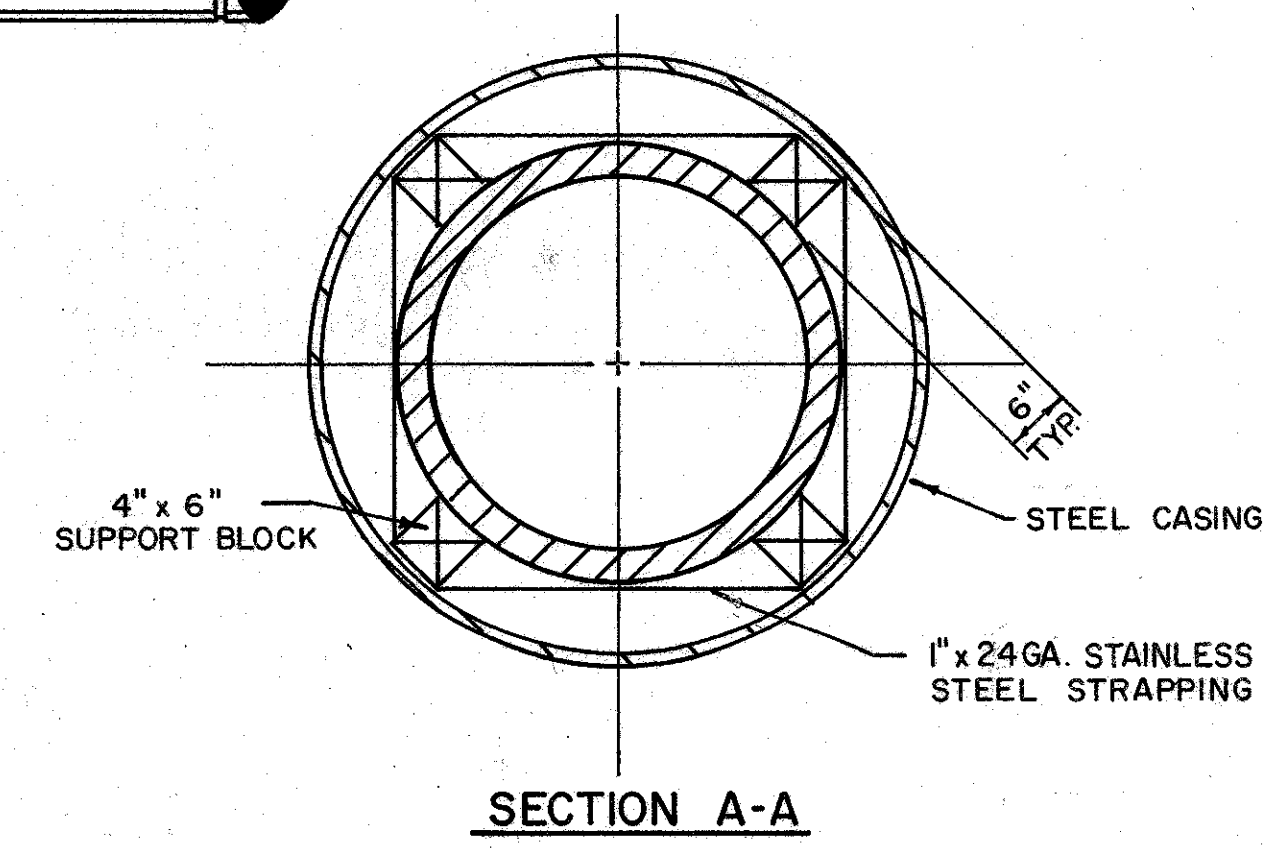
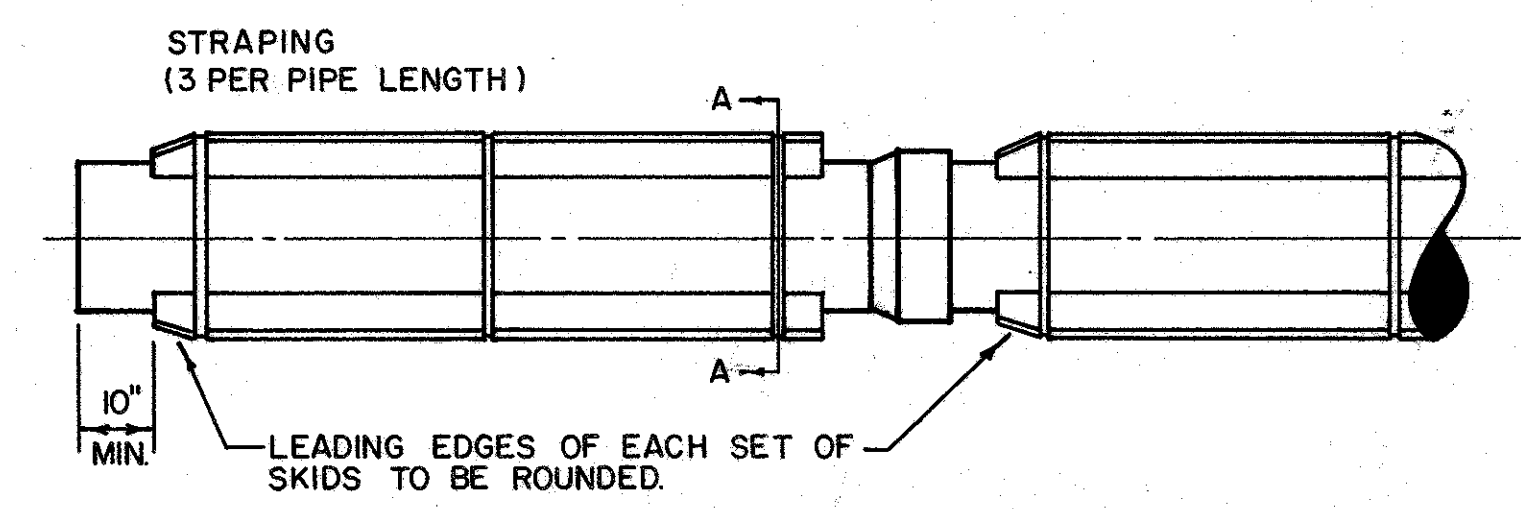
HIGHWAY AND RAILROAD CROSSING DETAIL
NO SCALE



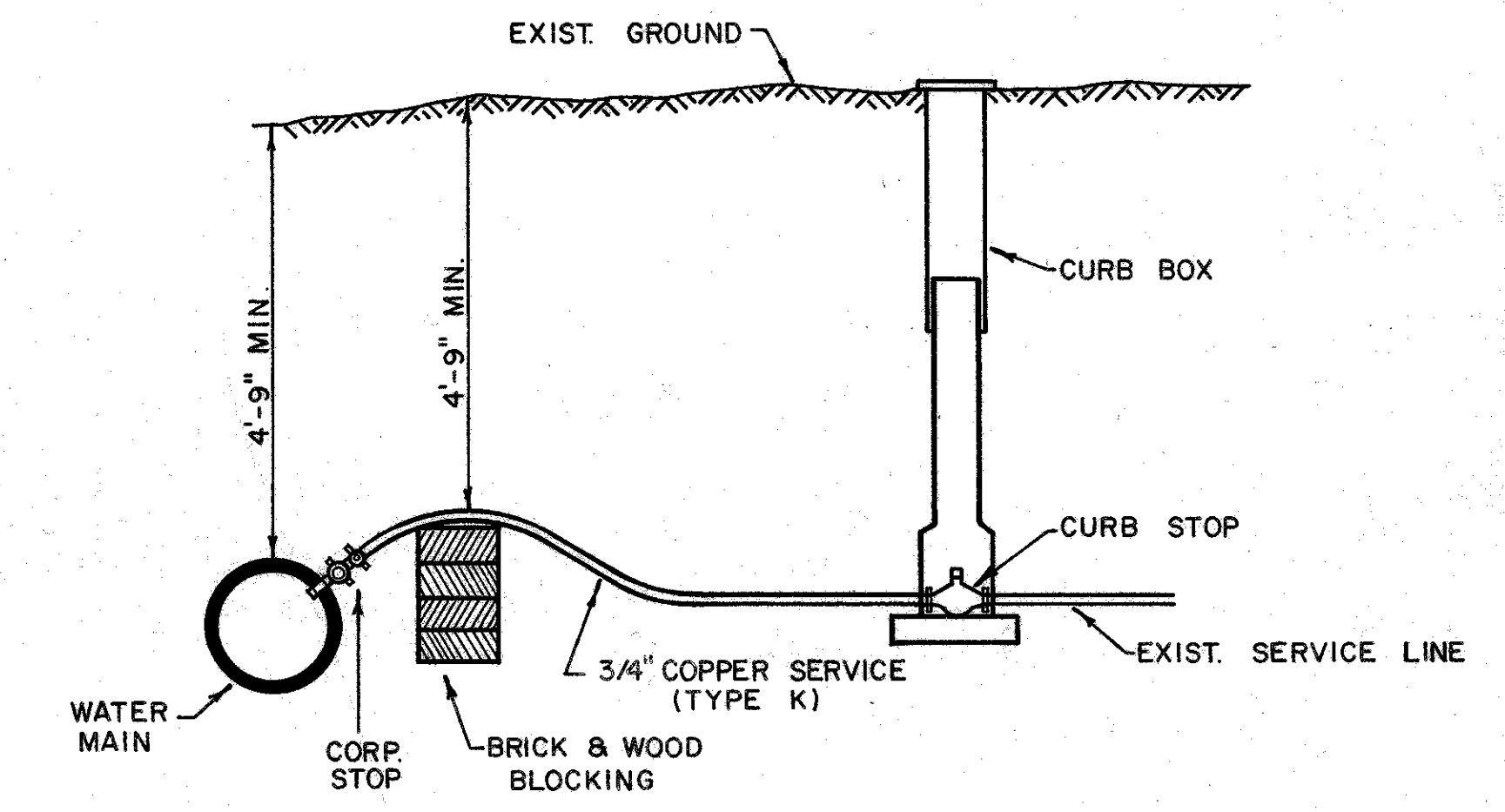
NOTE: CORPORATION STOPS TO BE PLUGGED AFTER STERILIZATION AND TESTING.

1 1/2" ϕ CORP. STOPS ON ALL LINES 16" ϕ & GREATOR
1" ϕ CORP. STOPS ON ALL LINES 12" ϕ & LESS

STERILIZATION & TESTING CONNECTIONS AT VALVES
NO SCALE



PIPE SKID DETAIL
NO SCALE



SERVICE TIE IN FOR INSIDE METER DETAIL
NO SCALE