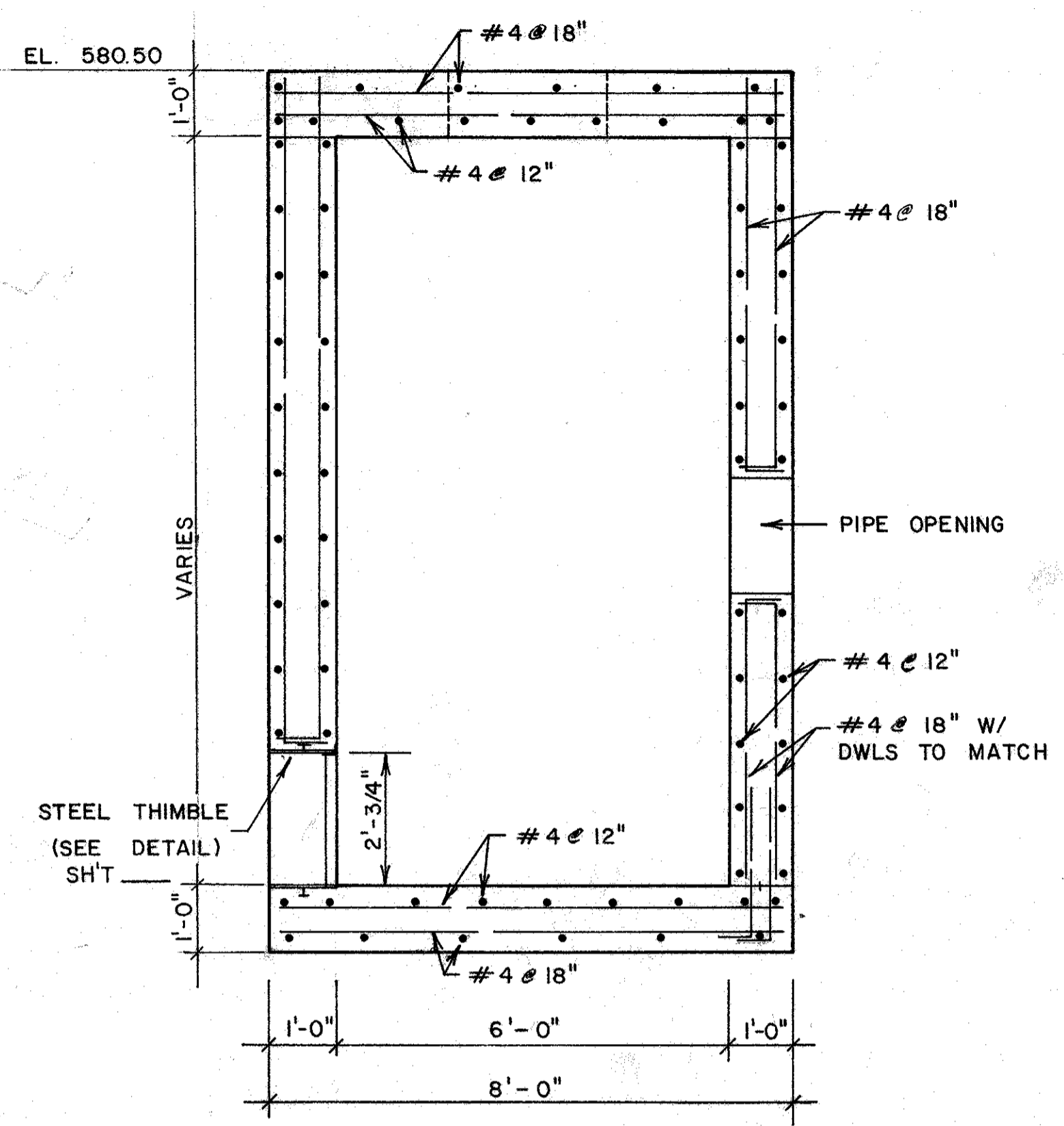
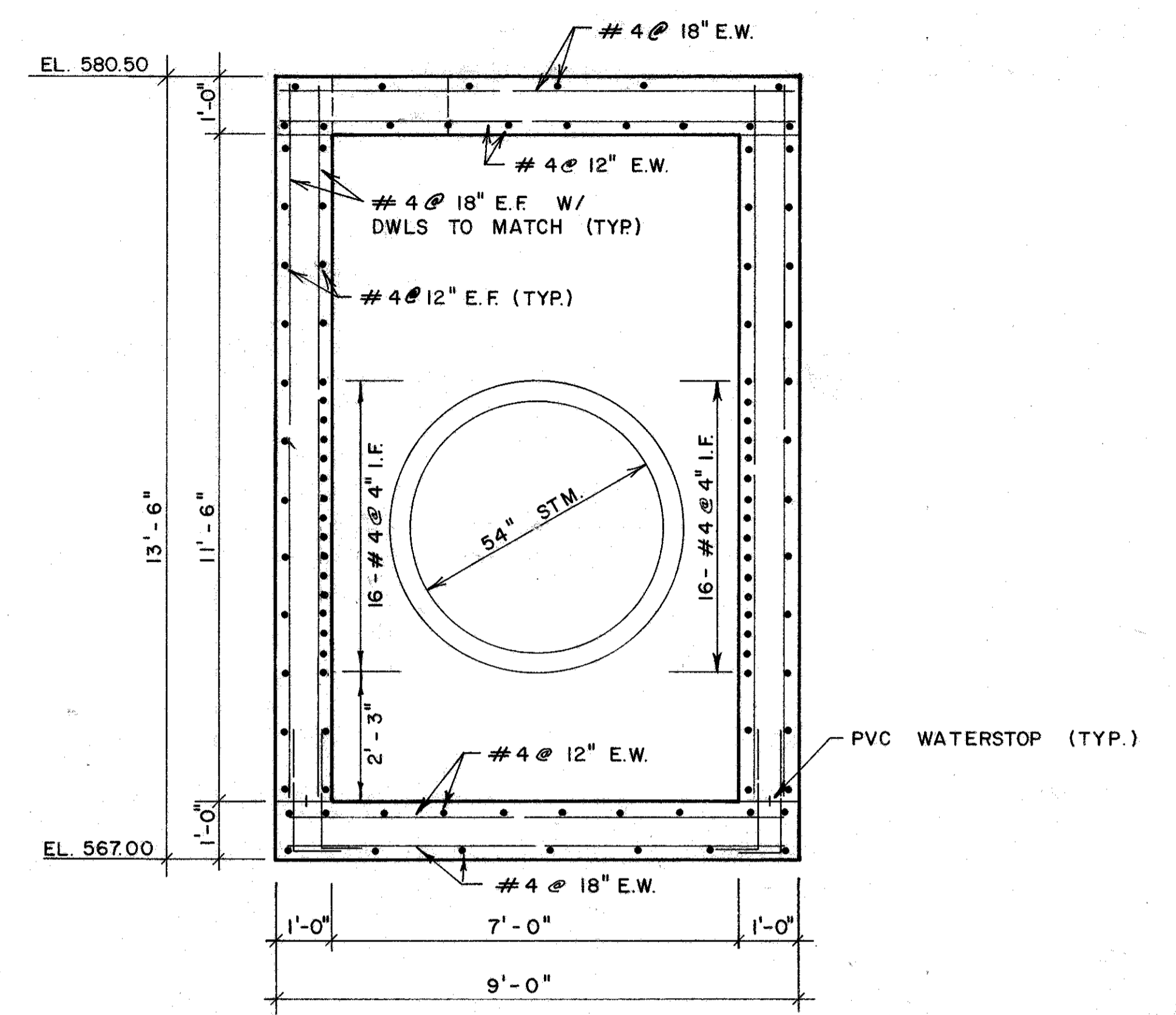


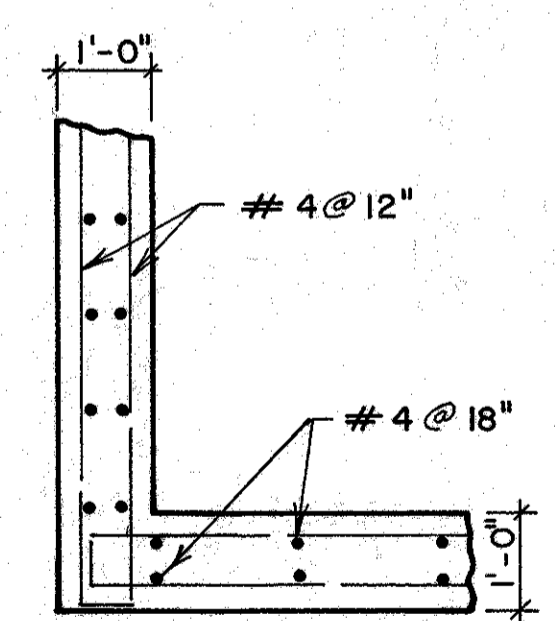
**SECTION "E" - "E"**  
SCALE: 1/2" = 1'-0"



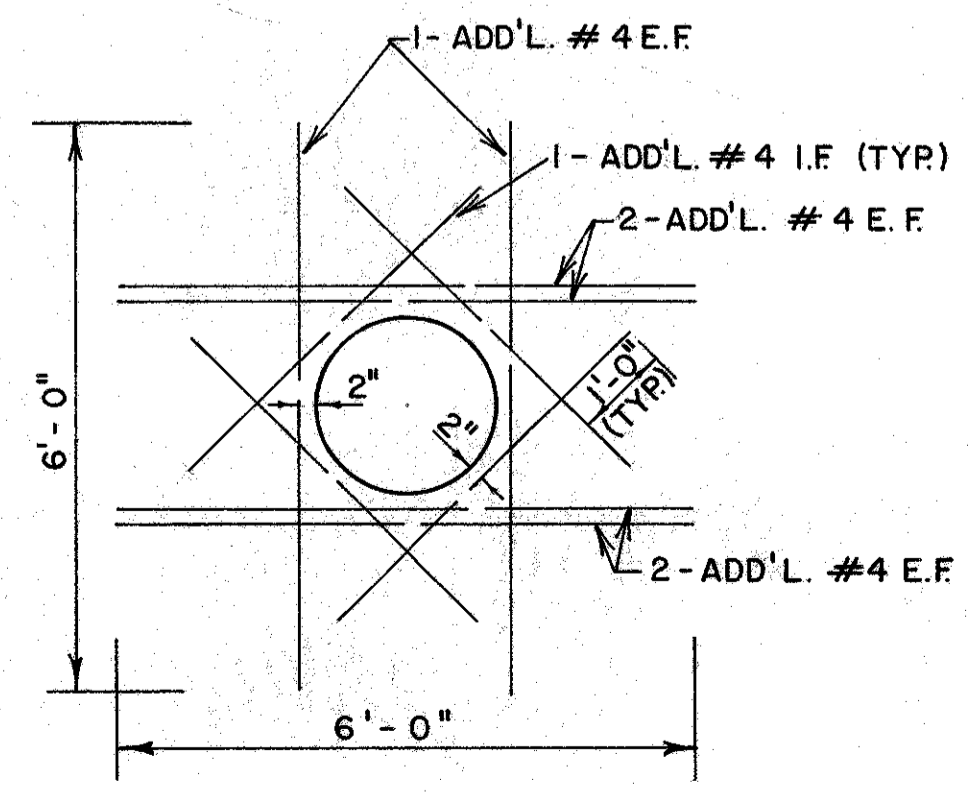
**SECTION "F" - "F"**  
SCALE: 1/2" = 1'-0"



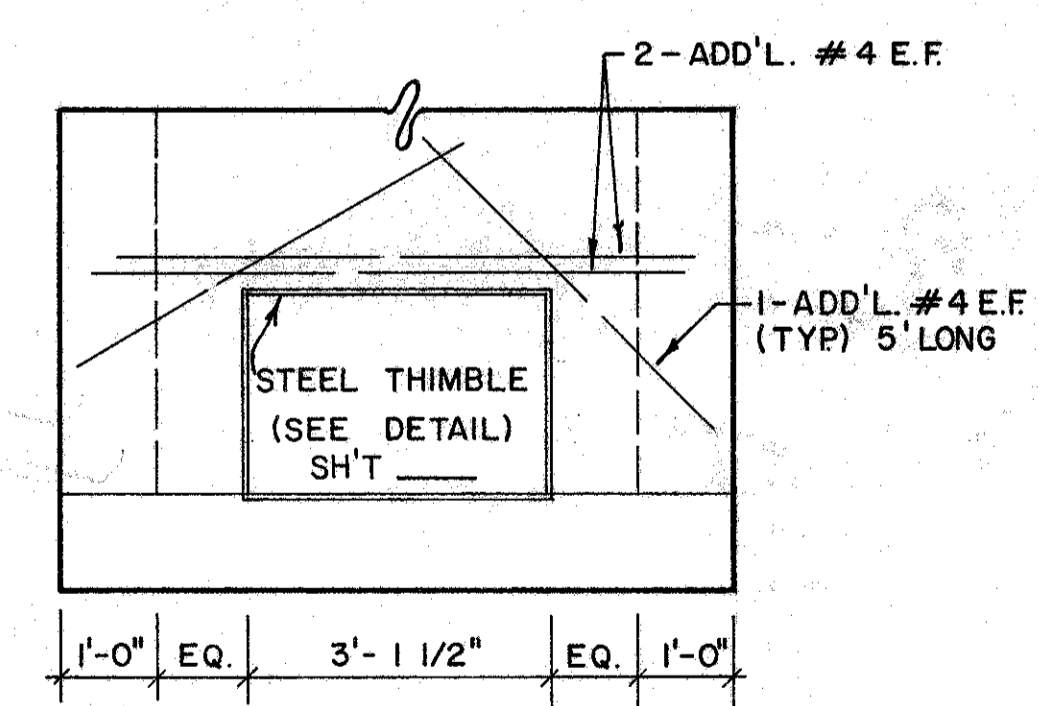
**SECTION "G" - "G"**  
SCALE: 1/2" = 1'-0"



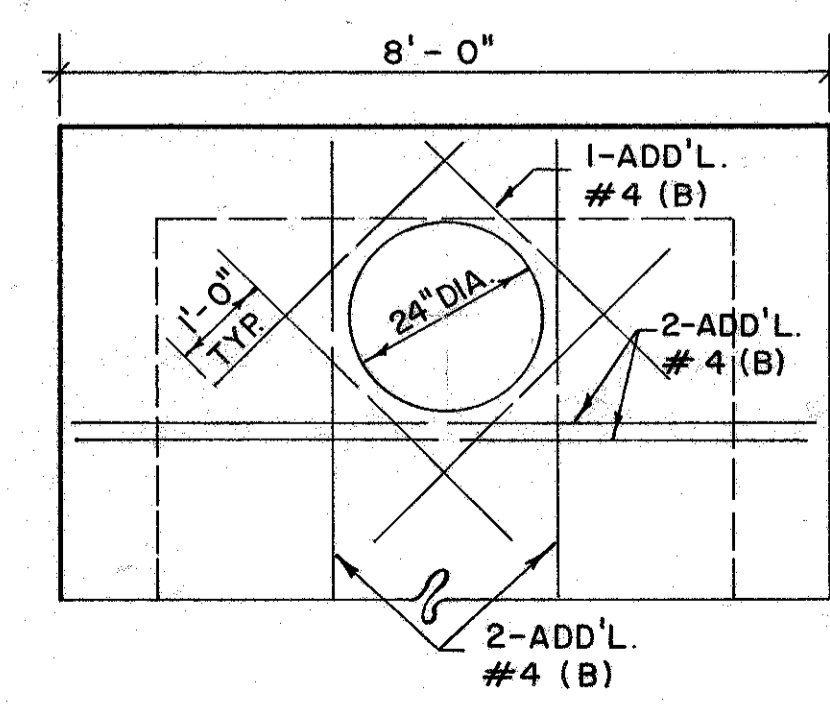
**TYPICAL CORNER DETAIL**  
SCALE: 1/2" = 1'-0"



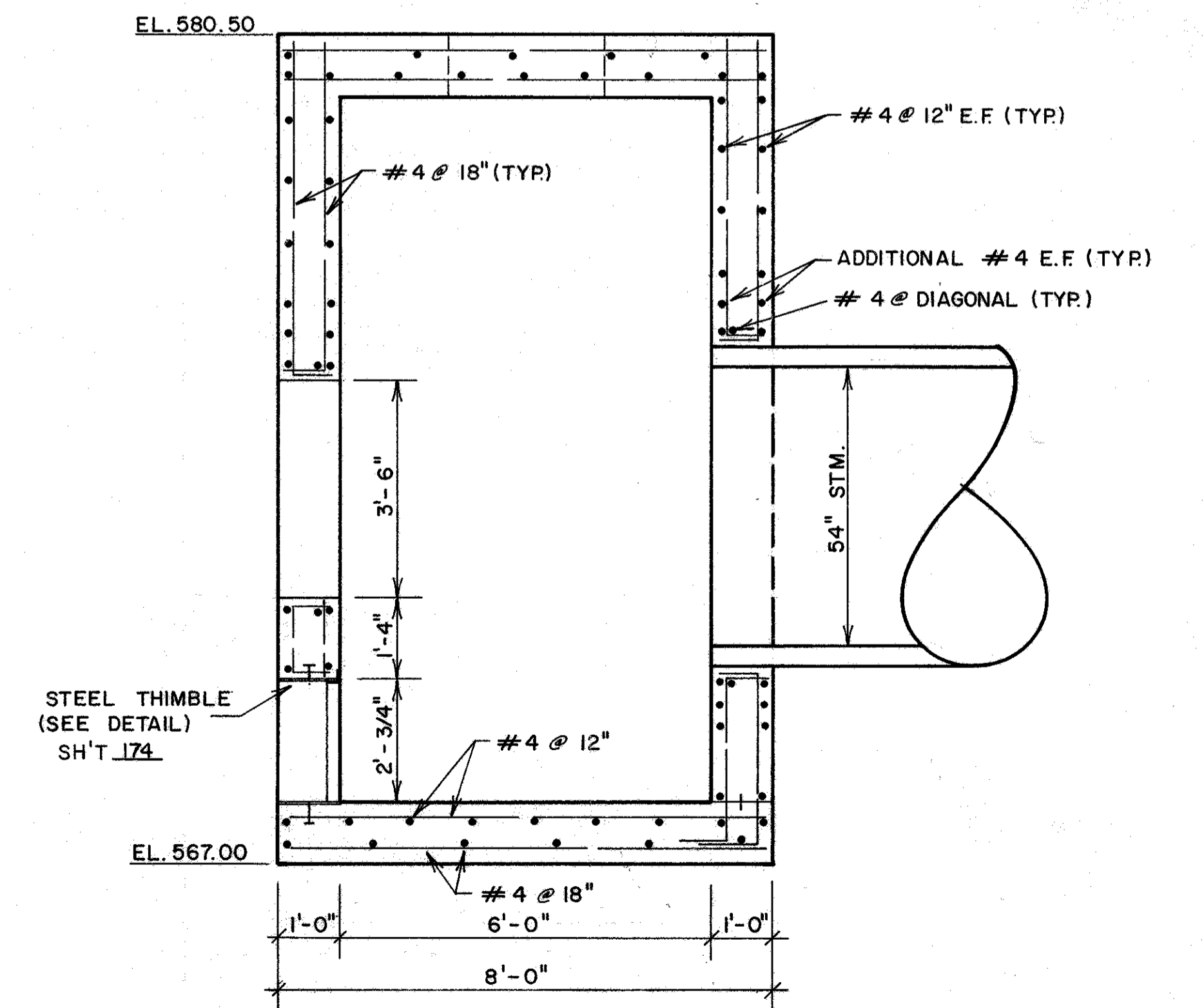
**TYPICAL REINFORCEMENT @ PIPE OPENING**  
SCALE: 1/2" = 1'-0"



**TYPICAL REINFORCEMENT @ STEEL THIMBLE**  
SCALE: 1/2" = 1'-0"



**TYPICAL REINFORCEMENT @ ACCESS OPENING**  
SCALE: 1/2" = 1'-0"



**SECTION "H" - "H"**  
SCALE: 1/2" = 1'-0"