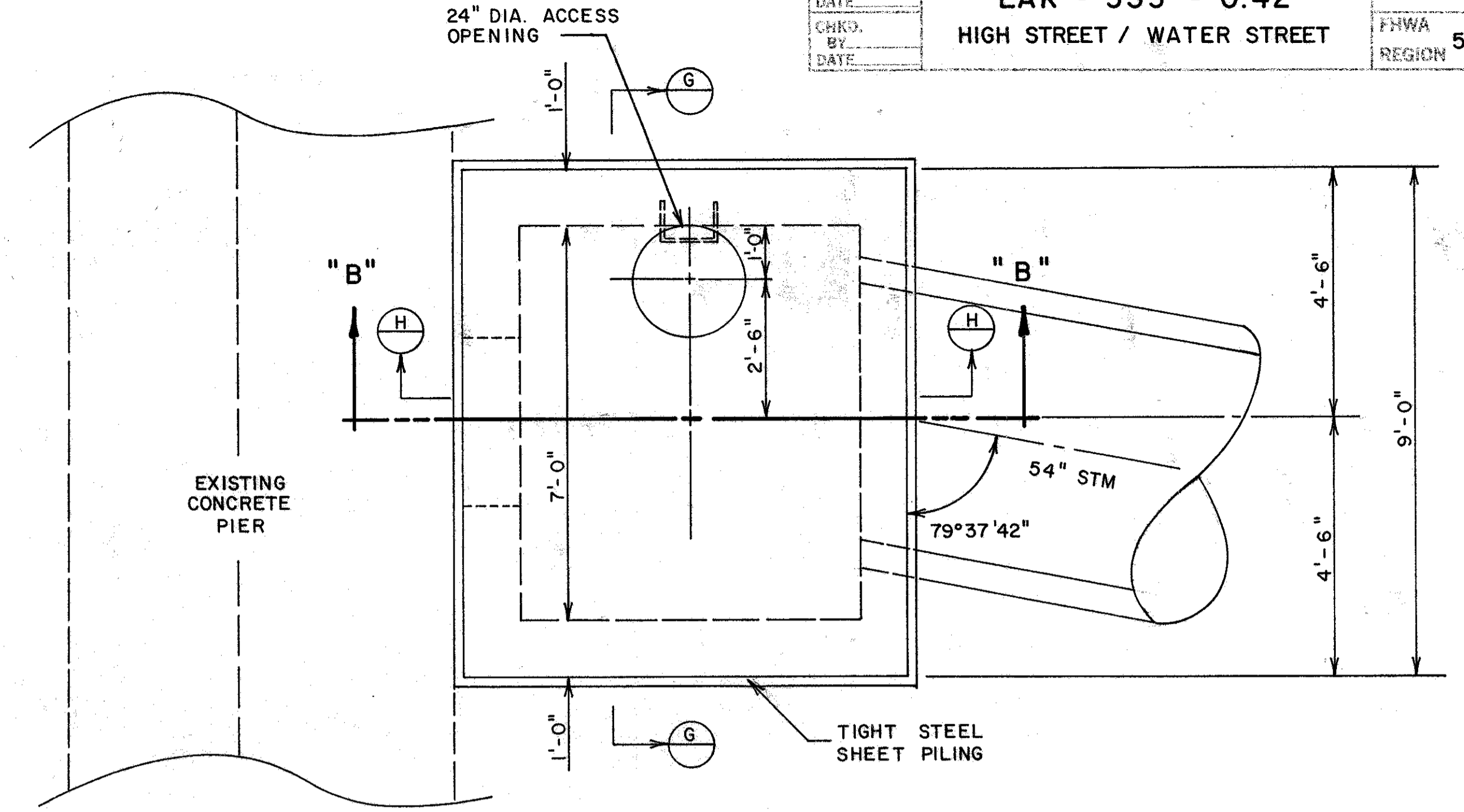
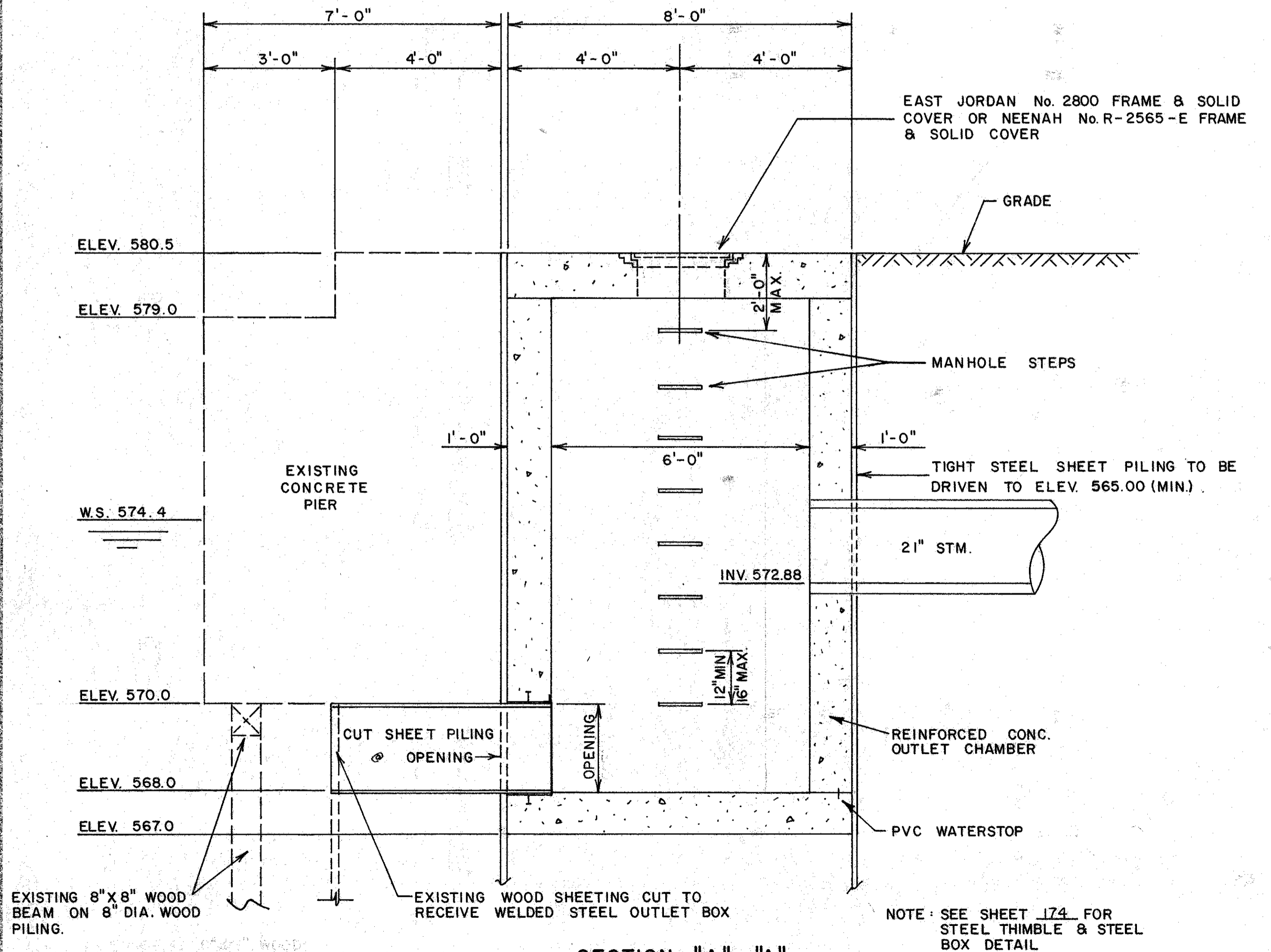


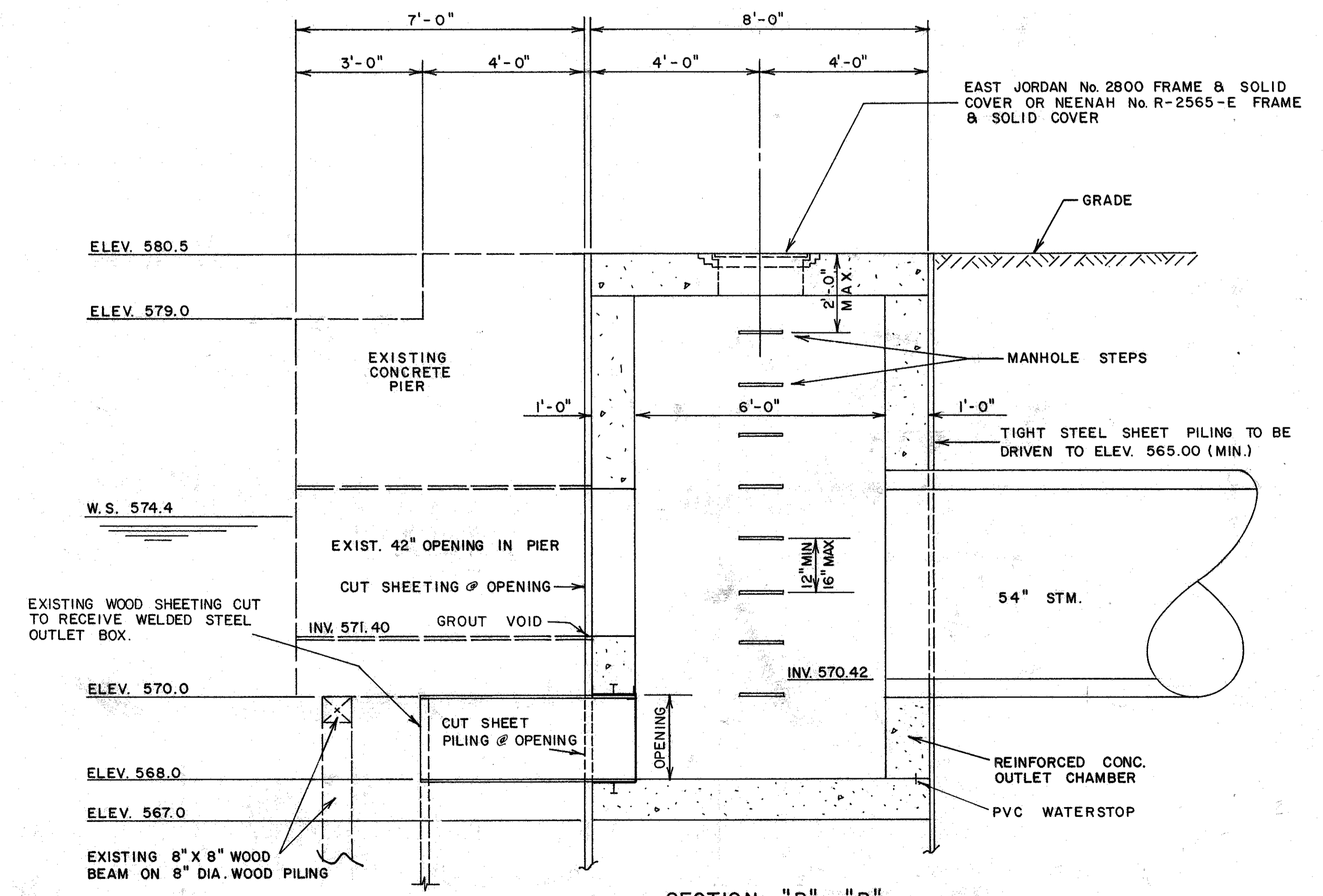
**PLAN VIEW**



**PLAN VIEW**



**SECTION "A" - "A"**  
**OUTLET CHAMBER TYPE 3**  
**STORM SEWER OUTLET STA. 105+66.40**  
 SCALE: 1/2" = 1'-0"



**SECTION "B" - "B"**  
**OUTLET CHAMBER TYPE 2**  
**STORM SEWER OUTLET STA. 117+69.19**  
 SCALE: 1/2" = 1'-0"