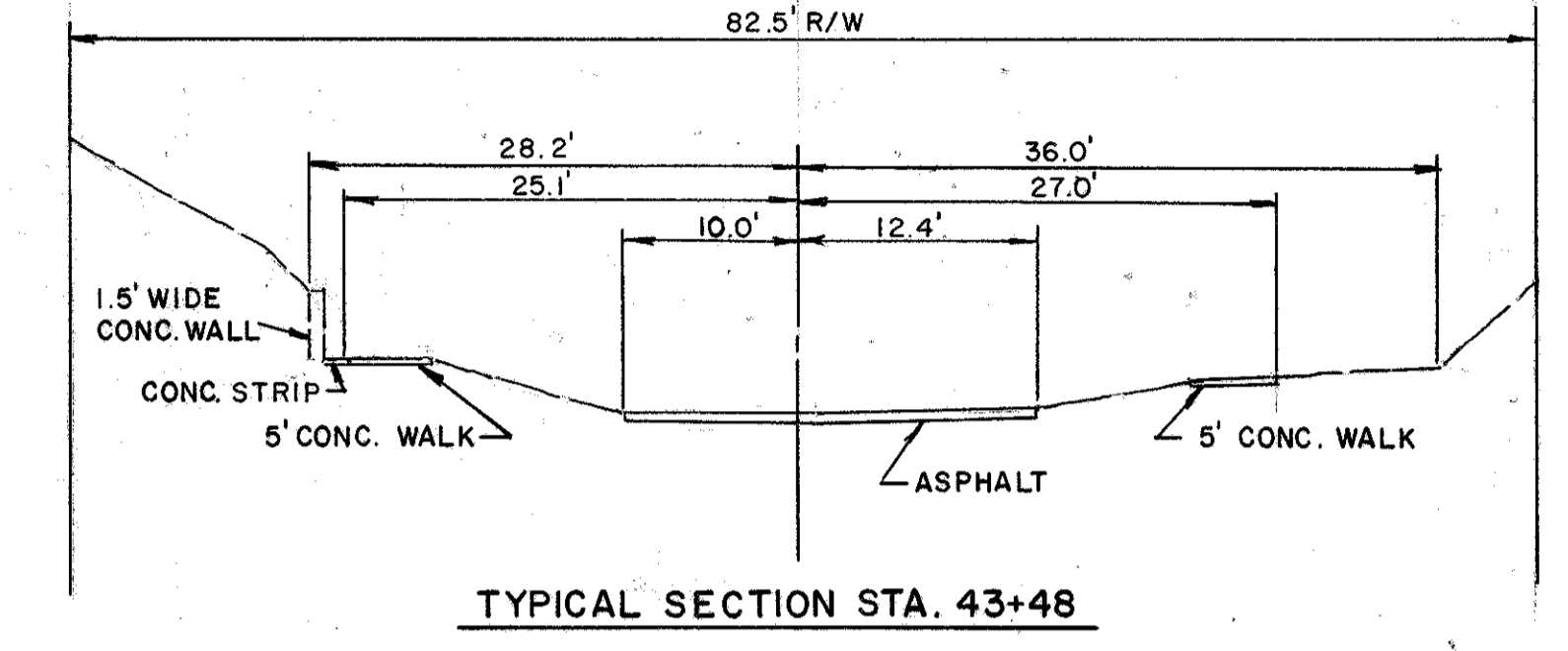
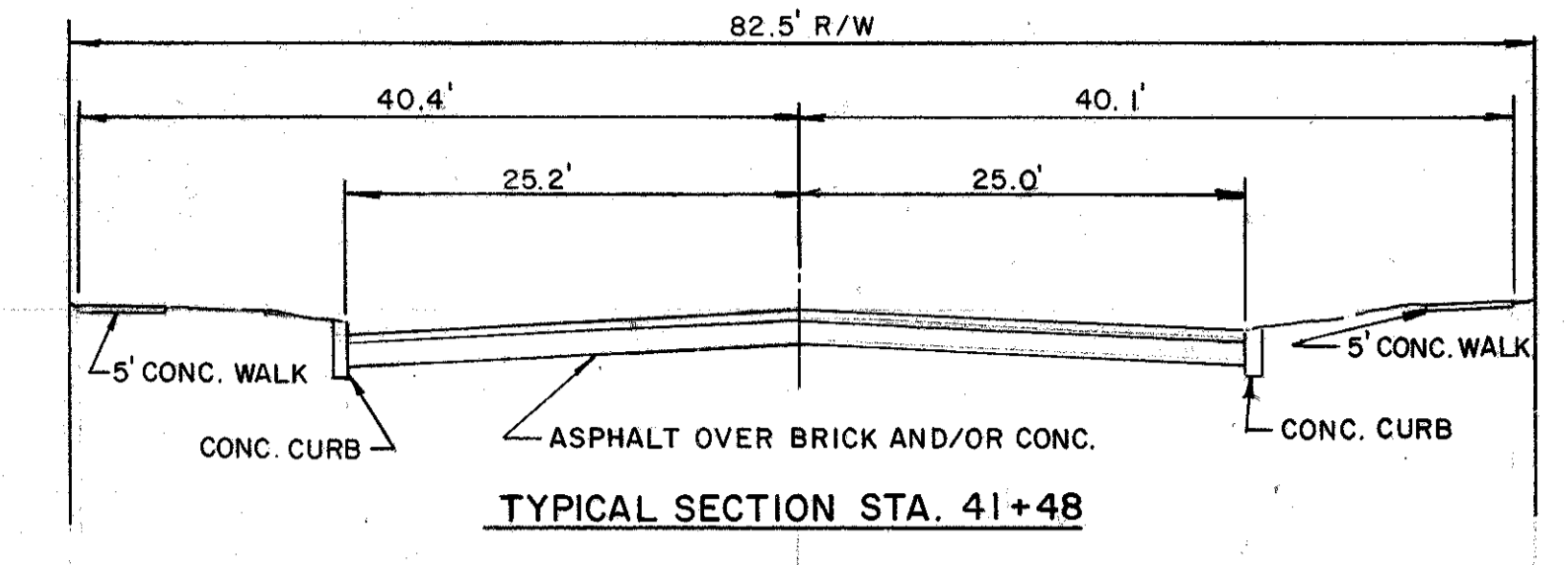
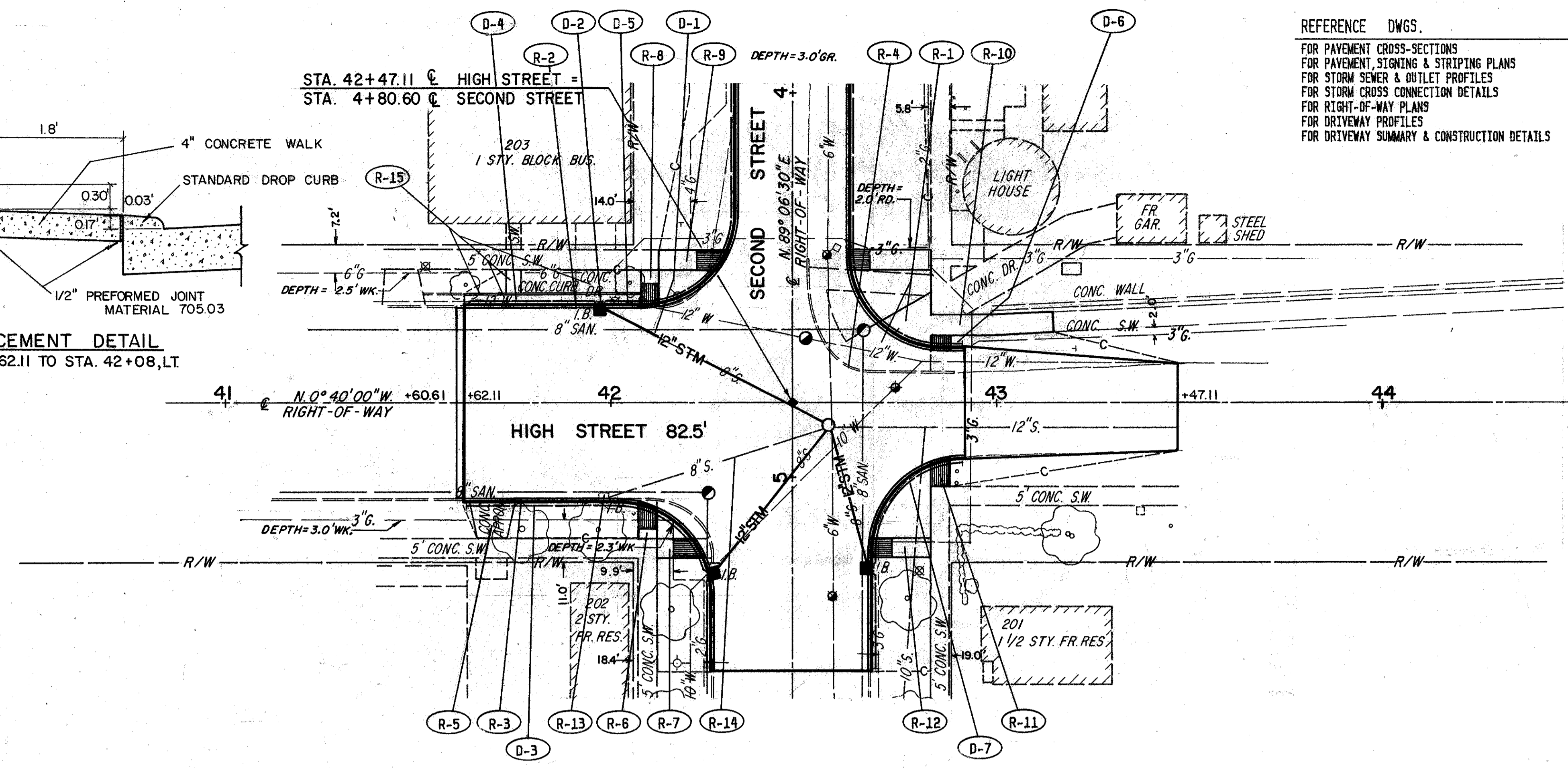
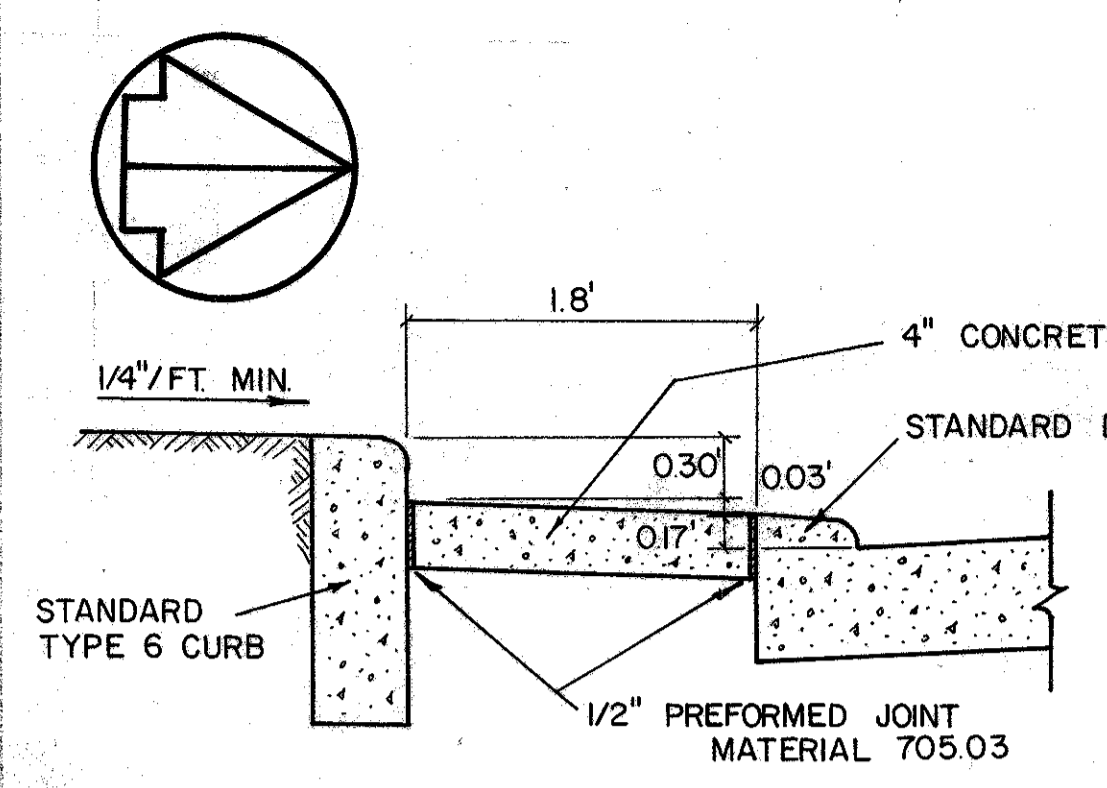


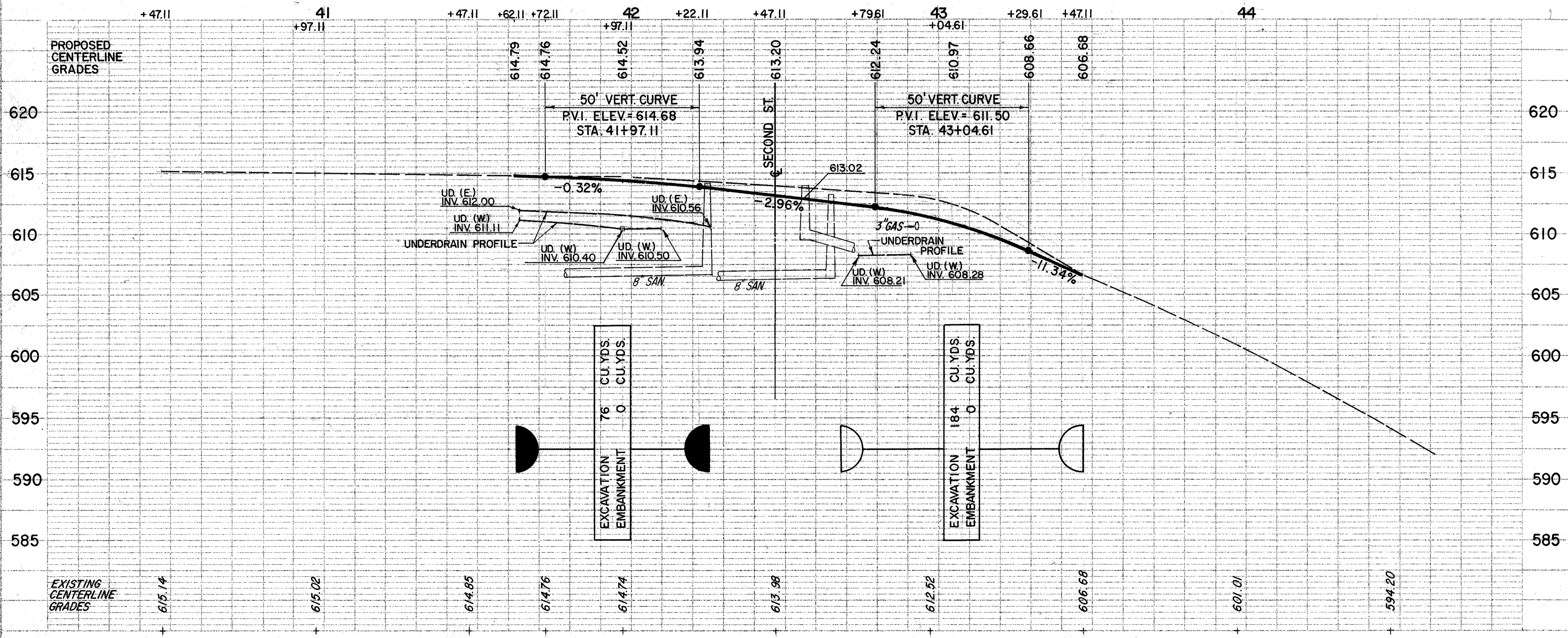
REFERENCE DWGS.
 FOR PAVEMENT CROSS-SECTIONS
 FOR PAVEMENT, STONING & STRIPING PLANS
 FOR STORM SEWER & OUTLET PROFILES
 FOR STORM CROSS CONNECTION DETAILS
 FOR RIGHT-OF-WAY PLANS
 FOR DRIVEWAY PROFILES
 FOR DRIVEWAY SUMMARY & CONSTRUCTION DETAILS

SH'T NO.
 129, 130
 147
 169
 218
 -



PLAN
 SHEET NO. 129, 130, 147, 169, 218
 PROJECT NO. LAK-535-0.42
 DATE: 2/10/84

PROFILE
 SHEET NO. 129, 130, 147, 169, 218
 PROJECT NO. LAK-535-0.42
 DATE: 2/10/84



DRAINAGE		603	603	604	605
REF	LOCATION	12" CONDUIT TYPE B, AS PER PLAN	6" CONDUIT TYPE F, AS PER PLAN	CATCH BASIN STD. NO. 3A MOD AS PER PLAN-TYPE 1	6" UNCLASSIFIED PIPE UNDERDRAIN, AS PER PL.
LF.	EA.	LF.	EA.	LF.	LF.
D-1	41+97, 25.2'L. -42+56.5, 6'R.	66.5			
D-2	41+97, 25.2'L.			1	
D-3	41+62-42+26, R.		10		62
D-4	41+62-41+97, L.		10		25
D-5	41+97-42+07, L.		10		
D-6	42+74-42+92, L.				17
D-7	42+67-42+92, R.		10		30
TOTALS		66.5	40	1	134

ROADWAY		202	202	202	202	202
REF	LOCATION	PAVEMENT REMOVED SY.	WALK REMOVED SF.	CURB REMOVED LF.	INLET REMOVED EA.	PIPE REMOVED, 24" & UNDER LF.
R-1	42+57-42+83, L.	34				
R-2	41+62-42+12, L.			50		
R-3	41+62-42+12, R.			50		
R-4	42+57-42+89, L.			34		
R-5	41+64-41+75, R.	11				
R-6	42+10, 25'R. -35'R.		50			
R-7	42+12-42+26, 35'R.		70			
R-8	42+10, 24'L. -34'L.		50			
R-9	42+12-42+29, 34'L.		85			
R-10	42+63-43+15, L.		160			
R-11	42+85, 15'R. -22'R.		35			
R-12	42+67-42+83, 35'R.		16			
R-13	41+98, 25'R.				1	
R-14	41+98, 25'R. -42+56.5, 6'R.					60
R-15	41+62.11 L. -42+08 L.	17	93	36		
TOTALS		62	559	170	1	60