

CURVE DATA
 P.I. = STA. 106+08.12
 D = 7° 30' 00"
 Δ = 14° 00' 00"
 T = 93.80'
 E = 5.74'
 L = 186.66'
 R = 763.94'
 P.C. STA. 105+14.32
 P.T. STA. 107+00.98

CURVE DATA
 P.I. = STA. 108+56.78
 D = 7° 30' 00"
 Δ = 14° 00' 00"
 T = 93.80'
 E = 5.74'
 L = 186.66'
 R = 763.94'
 P.C. STA. 107+62.98
 P.T. STA. 109+49.64

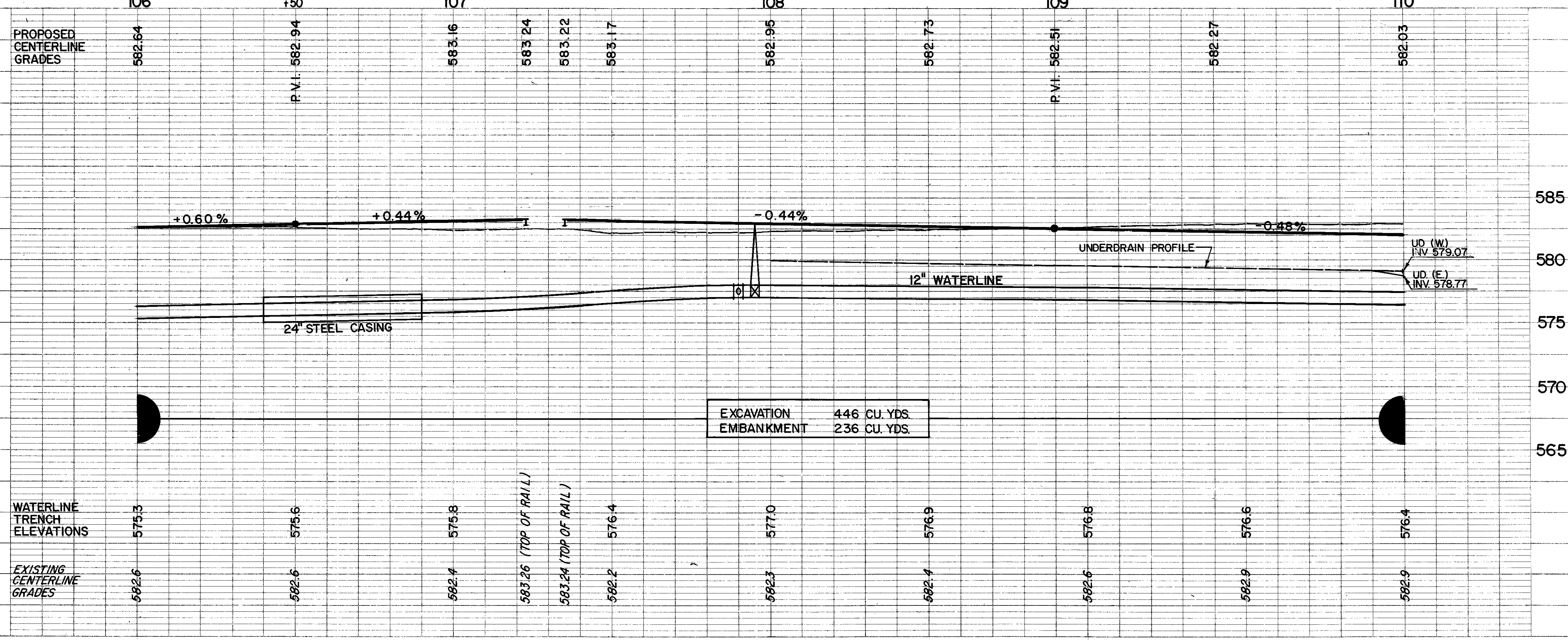
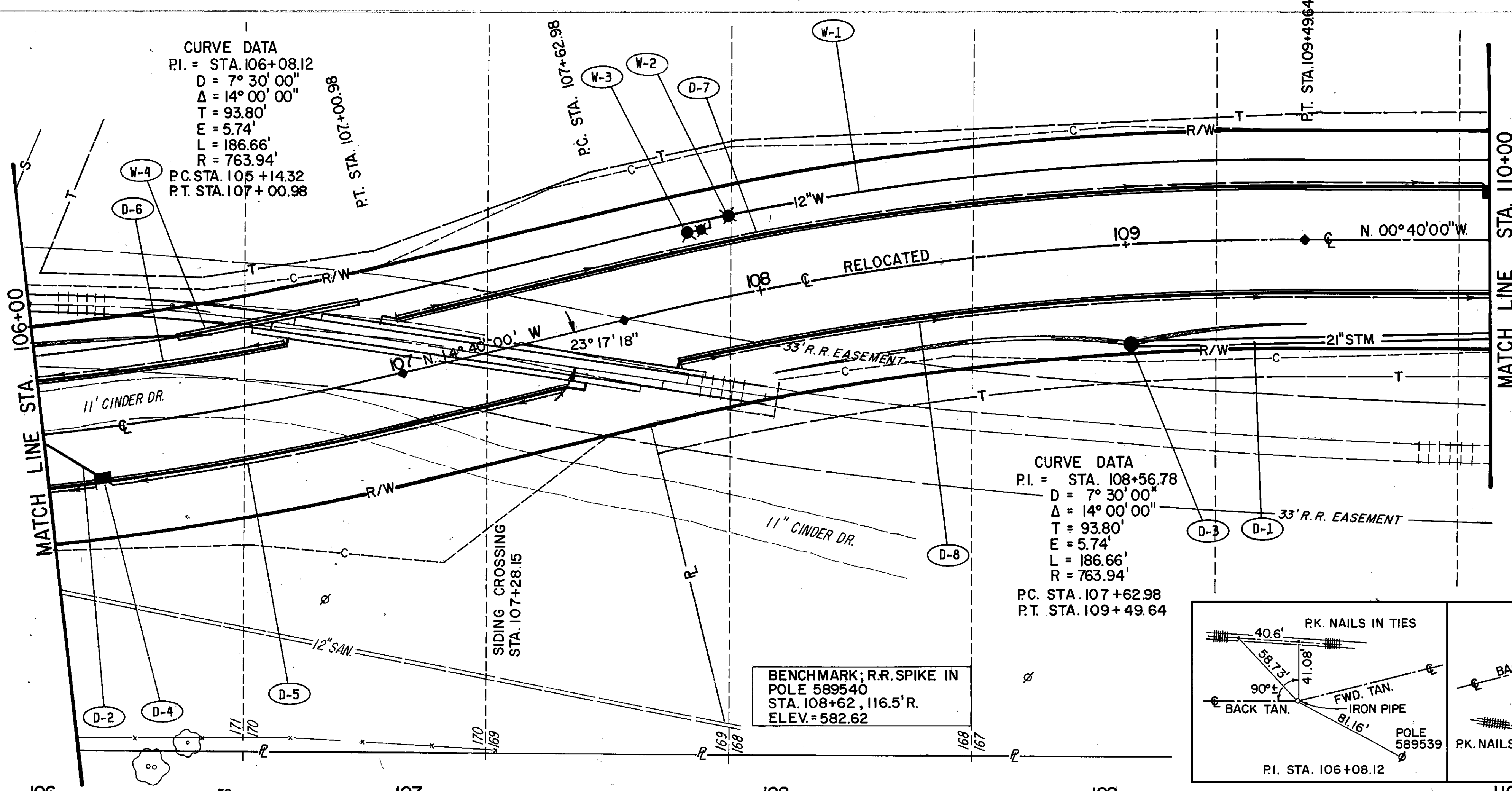
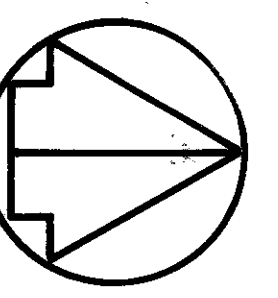
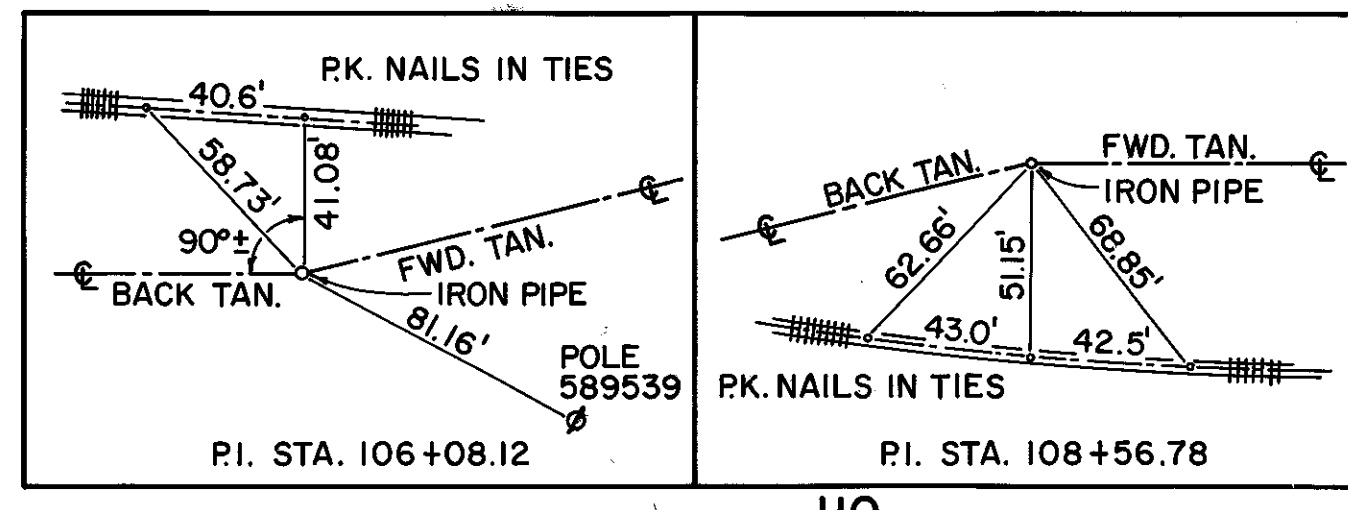
BENCHMARK: R.R. SPIKE IN POLE 589540
 STA. 108+62, 116.5'R.
 ELEV. = 582.62

DRAINAGE

REF	LOCATION	LF.	LF.	LF.	EA.	EA.	LF.	LF.
D-1	109+00, 27.5'R. - 110+00, 26.5'R.	100						
D-2	106+00, 2'R. - 106+15, 14'R.		18					
D-3	109+00, 27.5'R.				1			
D-4	106+15, 14'R.					1		
D-5	106+00 - 107+40, R.			10			130	
D-6	106+00 - 106+70, L.						70	
D-7	107+02 - 110+00, L.			10				288
D-8	107+75 - 110+00, R.			10				215
TOTALS		100	18	30	1	1	200	503

REFERENCE DWGS.

REFERENCE DWGS.	SH'T NO.
FOR PAVEMENT CROSS-SECTIONS	88-91
FOR PAVEMENT, SIGNING & STRIPING PLANS	143
FOR STORM SEWER & OUTLET PROFILES	153
FOR STORM CROSS CONNECTION DETAILS	167
FOR RIGHT-OF-WAY PLANS	212
FOR DRIVEWAY PROFILES	-
FOR DRIVEWAY SUMMARY & CONSTRUCTION DETAILS	-



WATERWORKS

REF	LOCATION	LF.	EA.	EA.	LF.
W-1	106+00 - 110+00	400			
W-2	106+95, 22'L.		1		
W-3	106+90, 22'L.			1	
W-4	106+40 - 106+90, 22'L.				50
TOTALS		400	1	1	50

SPEC	SPEC	SPEC	603
12" CL. 52 D.I. PIPE AND C.I. FITTINGS	12" GATE VALVE W/VALVE BOX	6" HYDRANT ASSEMBLY TYPE B	24" STEEL CASING 0.500" WALL THICKNESS

PLAN
 SURVEYED, PLOTTED, ALIGNED, CHECKED, BY: [blank]
 DATE: [blank]

PROFILE
 SURVEYED, PLOTTED, GRADES CHECKED, BY: [blank]
 DATE: [blank]