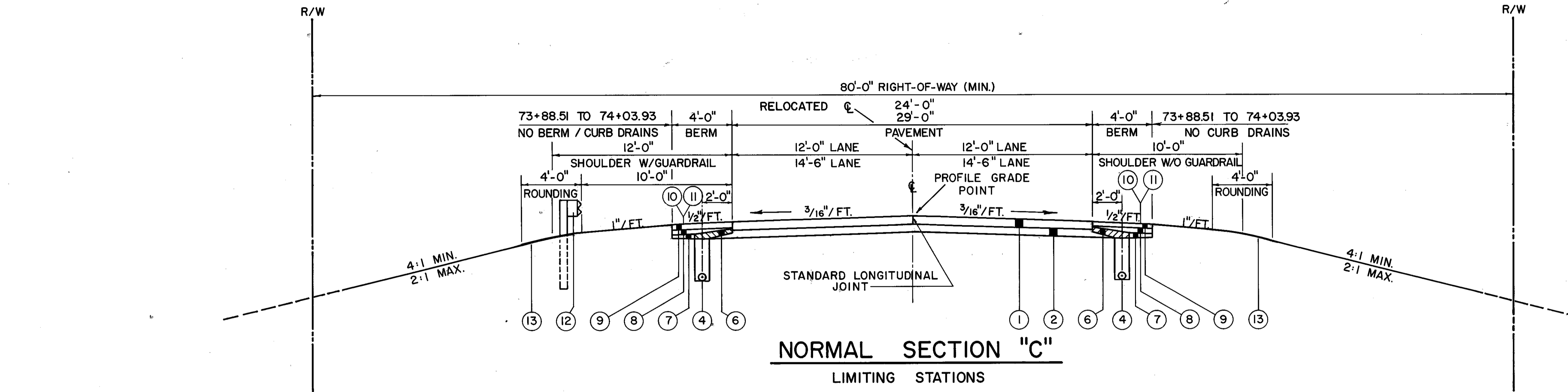
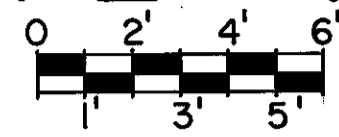


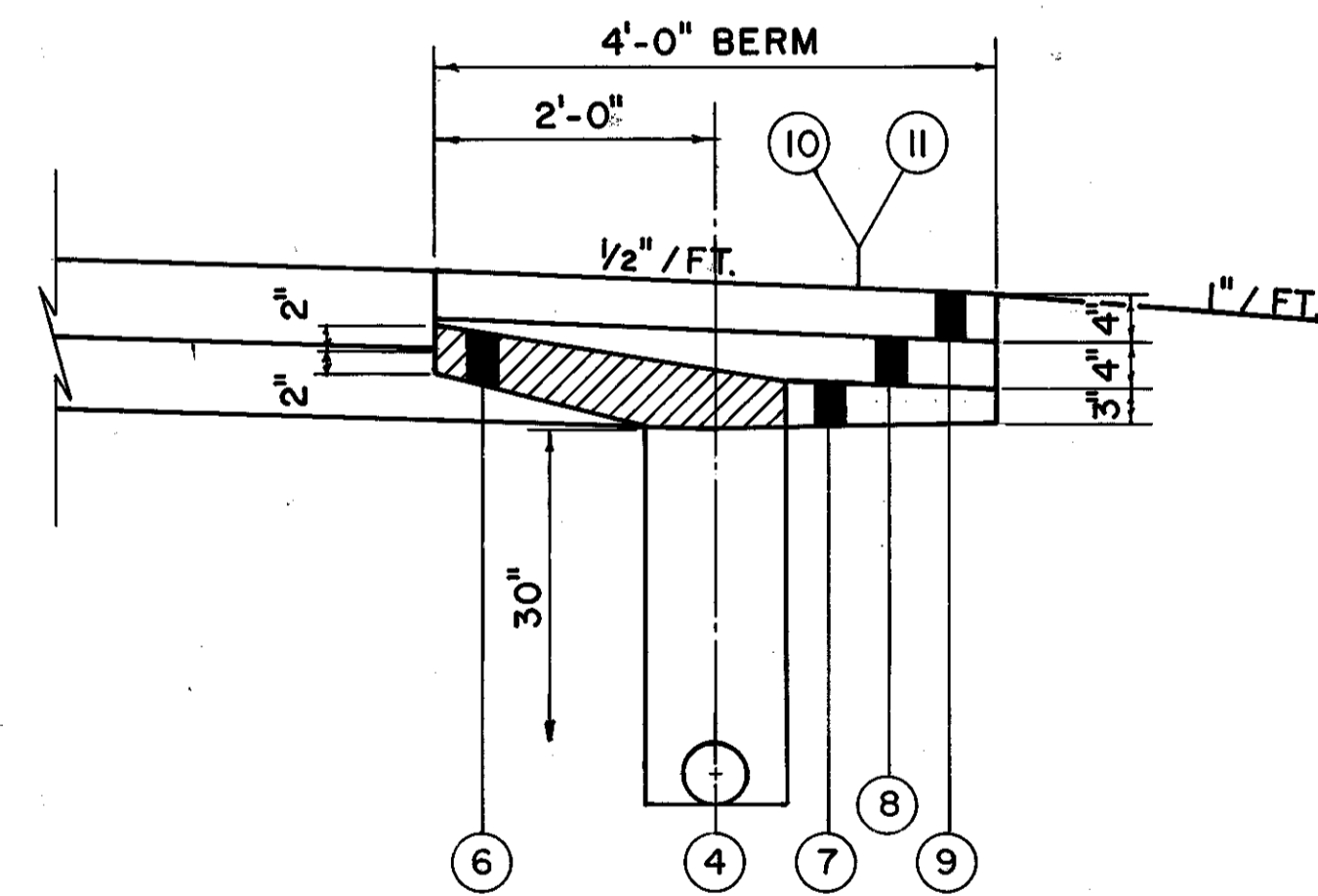
# TYPICAL SECTIONS

## TYPE 452

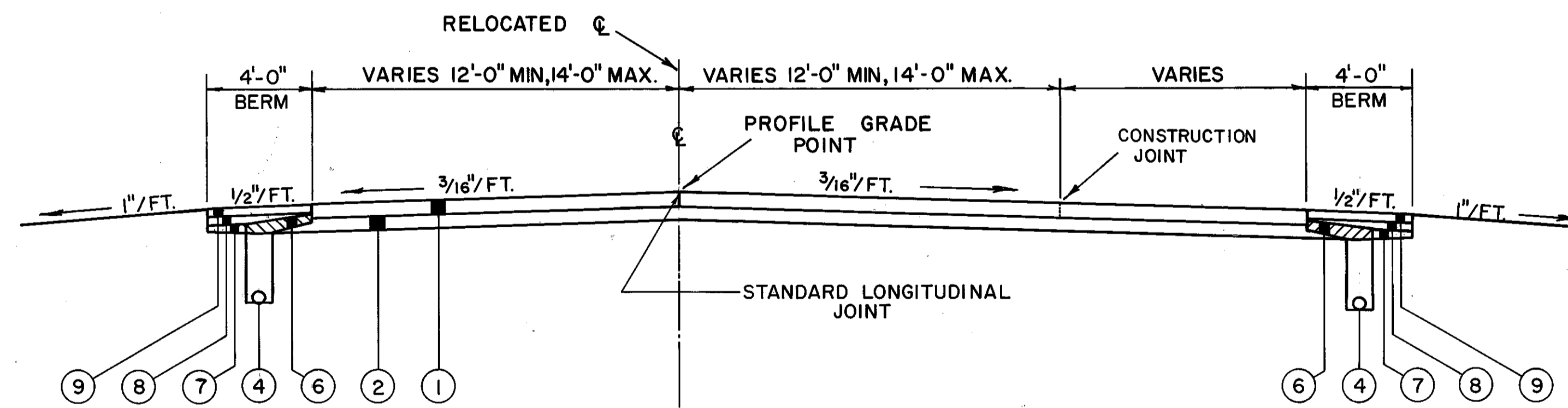


LIMITING STATIONS

STA. 40+60.28 TO STA. 44+78.92 (12'-0" LANES)	=	418.64 FT.
APPROACH SLAB STA. 40+45.28 TO STA. 40+60.28 (SEE SHEET NO. 175)	=	15.00 FT.
STA. 73+88.51 TO STA. 74+03.93 (14'-6" LANES)	=	15.42 FT.
		449.06 FT.



SCALE 3/4" = 1'-0"



LIMITING STATIONS

STA. 44+78.92 TO STA. 47+49.83	=	270.91 FT.
--------------------------------	---	------------

**DRAINAGE CONNECTION SEQUENCE OF OPERATIONS**

1. INSTALL PIPE UNDERDRAIN ON OUTSIDE SHOULDER, WHERE REQUIRED. INSTALLATION OF SHALLOW UNDERDRAIN IN MEDIAN MAY BE DEFERRED UNTIL PAVEMENT IS PLACED.
2. PLACE SUBBASE OUT TO OUTSIDE EDGE OF UNDERDRAIN OR TO ONE FOOT BEYOND THE EDGE OF PAVEMENT WHERE NO UNDERDRAIN IS PRESENT. PAYMENT SHALL BE MADE FOR ALL SUBBASE PLACED IN THIS OPERATION.
3. CONSTRUCT PAVEMENT.
4. REMOVE SUBBASE AND ANY CONTAMINATED BACKFILL OVER THE DRAIN AND REPLACE WITH No. 8 AGGREGATE.
5. COMPLETE SHOULDER CONSTRUCTION.