

NOTES

PORTABLE CONCRETE BARRIER (PCB) PCB, as shown, shall not be used on bridge deck edges. PCB, Bridge Mounted, shall be used at such locations in accordance with the Office of Structural Engineering's Standard Drawing PCB-91M.

WIRE FABRIC Shall meet the requirements of CMS 709.10.

CONNECTING HARDWARE Bolts, washers and hex nuts shall be galvanized after fabrication as per CMS 711.02 and shall meet the requirements of CMS 711.09 except that the Rotational Capacity test specified in ASTM A 325M shall be waived.

In lieu of the pin and loop connections detailed on this Standard Construction Drawing, barrier sections with "J-J Hooks" end connections may be utilized.

Transition barrier sections with pin and loop connections on one end and "J-J Hooks" on the other shall be used to connect runs of "J-J Hooks" barrier to other permitted barrier types. The heights of the transition sections shall be the same as the barrier runs being connected. "J-J Hooks" is a trademark of East-Set Industries, P.O. Box 300, Midland, VA 22728, (540) 439-8911 or (800) 547-4045.

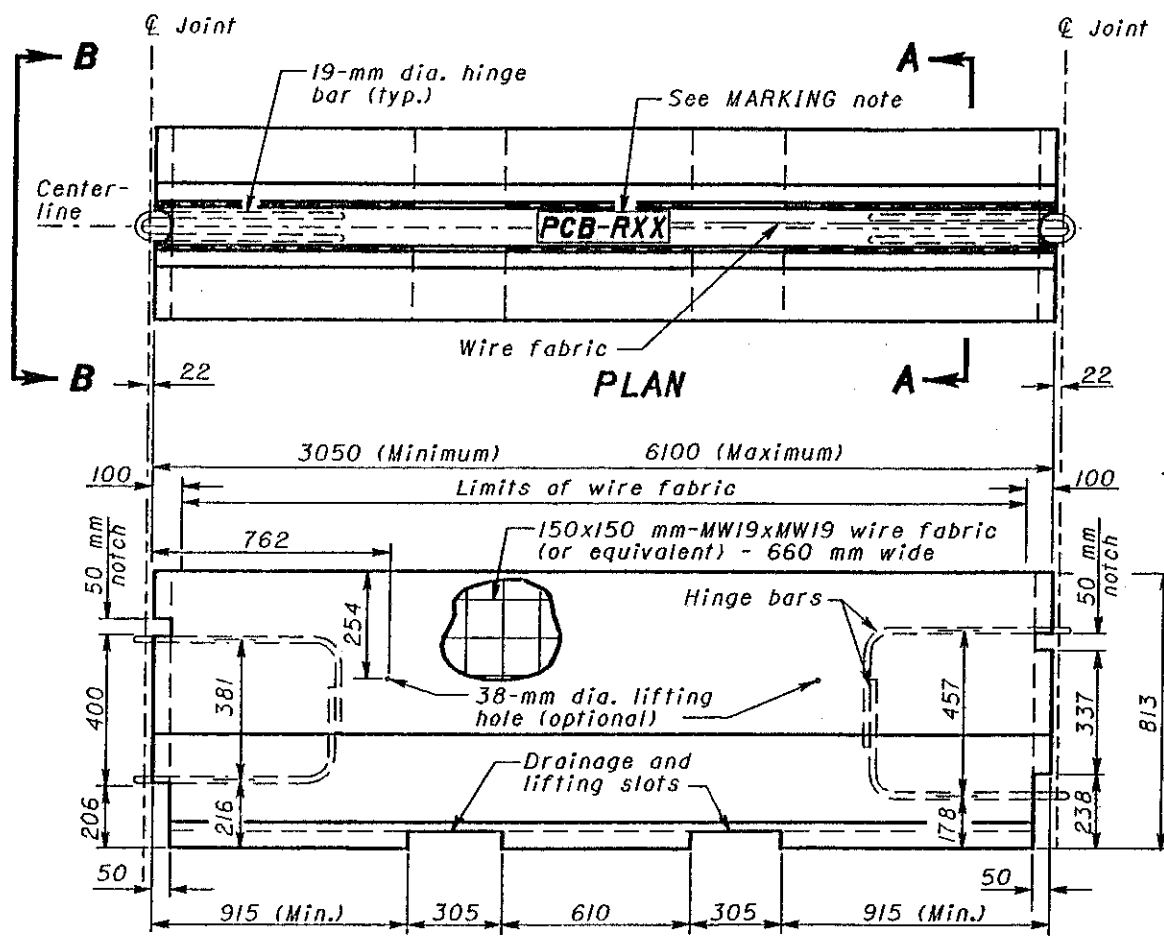
HINGE AND REINFORCING BARS The 19-mm hinge bars and #16M reinforcing bars shall meet the requirements of CMS 509.

HANDLING DEVICES Such devices may be used in lieu of the lifting slot for moving the barrier. They may be of any design sufficient to handle the weight of the section being lifted. No handling devices shall protrude from the surface of the barrier when in place.

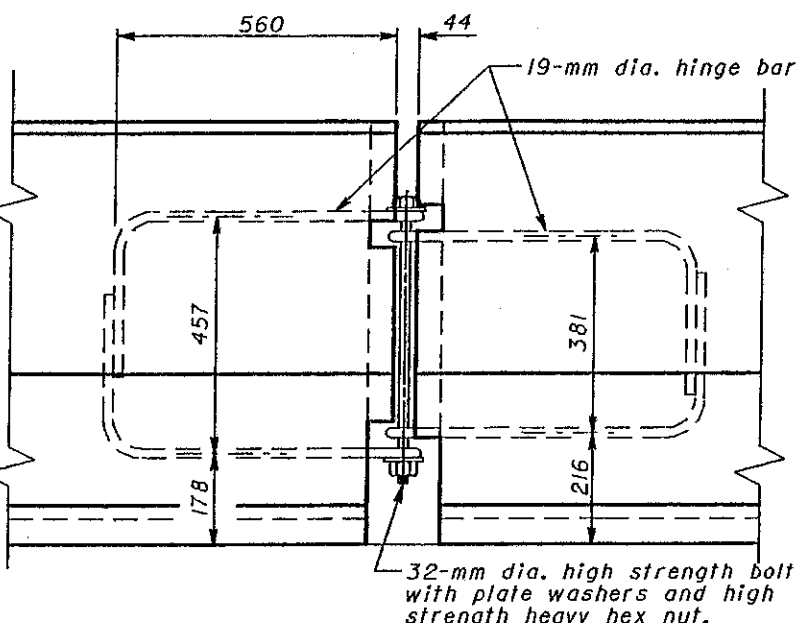
MARKING All barrier segments shall be marked as shown, where XX indicates the year cast. These markings shall be permanently impressed in the barrier using a minimum of 50-mm high lettering.

Each segment shall have, on its top, a unique identification as to its manufacturer and, somewhere on the barrier, the day and month that the barrier was manufactured.

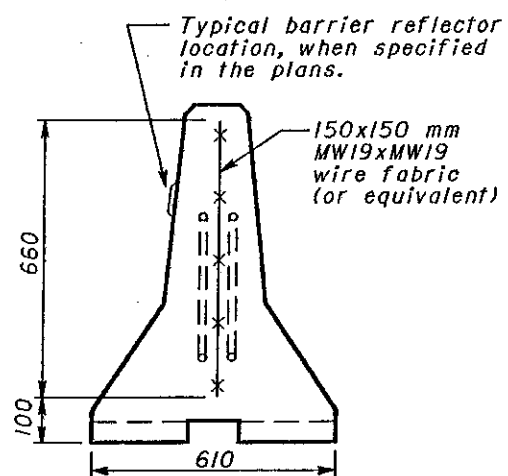
See CMS 622 for additional information.



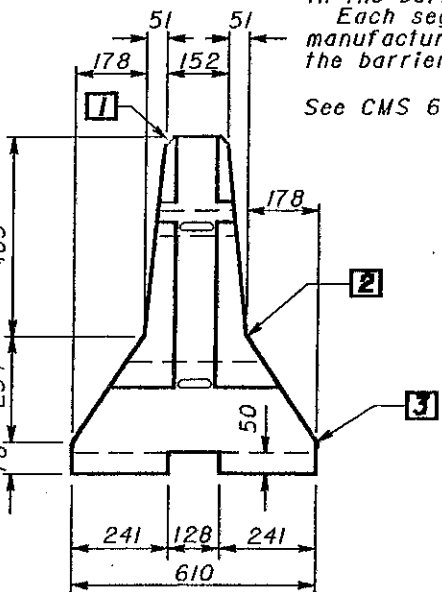
**ELEVATION
BARRIER DETAILS**



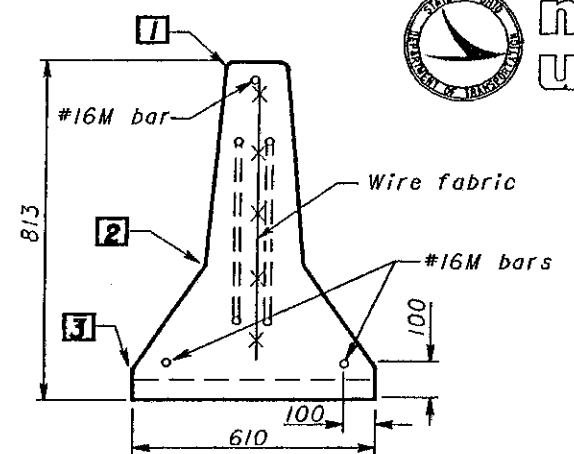
DETAIL AT HINGED CONNECTION



SECTION A-A

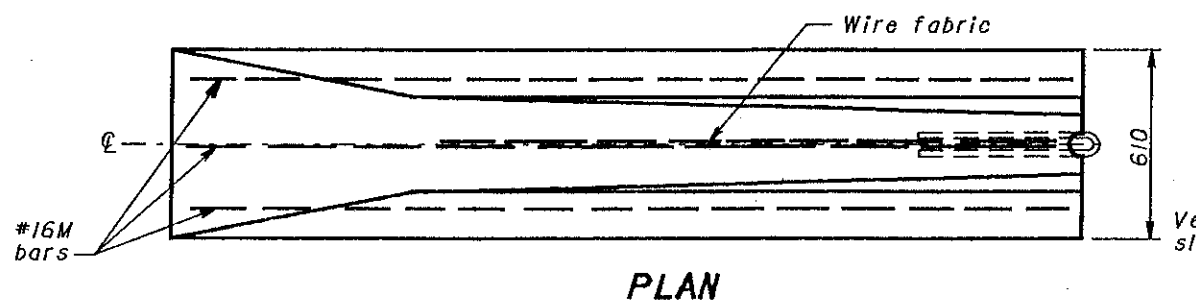


VIEW B-B

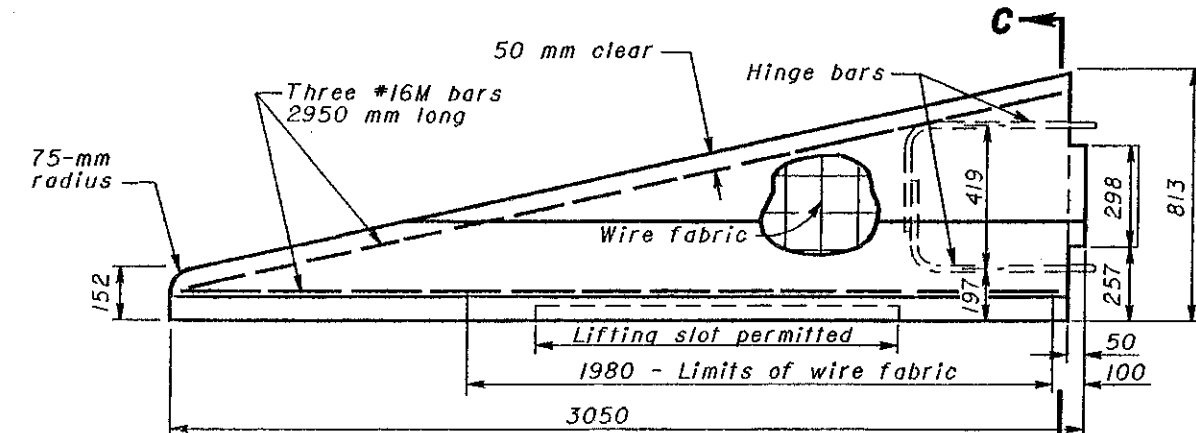


SECTION C-C

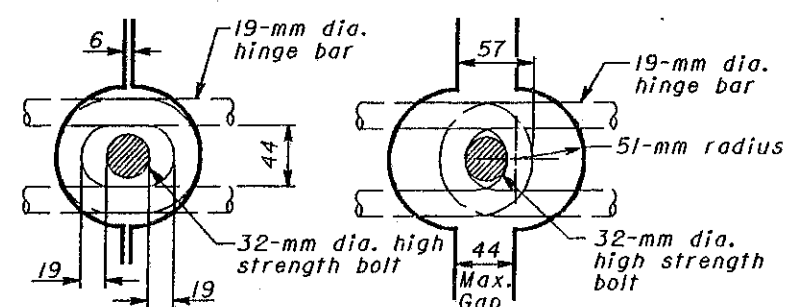
Vertical edges on keyway and drainage slots may be battered. Depth 50±6 mm.



PLAN



**ELEVATION
TAPERED END SECTION DETAILS**



CLOSED JOINT

OPEN JOINT

Barriers shall initially be placed close together so that bolts can be easily inserted through hinge bar loop.

Barrier joints shall be fully open before the nut is tightened onto bolt.

JOINT CONNECTION DETAILS

All dimensions are in millimeters unless otherwise noted.

LEGEND

- 1 25-mm radius or 19-mm chamfer, all top and end corners.
- 2 Permissible 250-mm radius.
- 3 Permissible 25-mm radius.

This Drawing Replaces MC-9.2.

OHIO DEPARTMENT OF TRANSPORTATION	
813-mm PORTABLE CONCRETE BARRIER	DATE 6-30-95 10-21-97
STANDARD CONSTRUCTION DRAWING RM-4.2M	
APPROVED: <i>Randy T. ...</i>	