

NOTES

DESCRIPTION: This item shall consist of furnishing and installing either a pipe underdrain system or a prefabricated edge drain system in accordance with the specifications and with the details on the plans or as directed by the Engineer.

MATERIALS: The underdrain shall either be a pipe underdrain system or a prefabricated edge drain system meeting the requirements of CMS 605.

BASIS OF PAYMENT FOR PIPE UNDERDRAIN SYSTEM ONLY: Work completed, accepted and measured under this item shall be paid for the contract unit price bid for Item 605 - 100 mm Shallow Pipe Underdrain. The price shall be full compensation for excavation and backfill; for furnishing materials, including materials for outlet fittings and Item 301; and for all labor, tools, equipment and incidentals necessary to complete the work.

BASIS OF PAYMENT FOR SHALLOW UNDERDRAIN SYSTEM: Work completed, accepted and measured under this item shall be paid for at the contract unit price bid for Item 605 - Shallow Underdrain. The price shall be full compensation for excavation and backfill; for removing and disposing of all surplus excavation in accordance with CMS 203; for furnishing materials, including materials for splices, outlet fittings, and Item 301; and for all labor, tools, equipment and incidentals necessary to complete the work associated with the installation of prefabricated edge drains or pipe underdrains.

BASIS OF PAYMENT FOR PREFABRICATED EDGE DRAIN SYSTEM: Work completed, accepted and measured under this item shall be paid for at the contract unit price bid for Item 605 - 450 mm Prefabricated Edge Drain. The price shall be full compensation for excavation and backfill; for removing and disposing of all surplus excavation in accordance with CMS 203; for furnishing materials, including materials for splices, outlet fittings, and Item 301; and for all labor, tools, equipment and incidentals necessary to complete the work associated with the installation of prefabricated edge drains or pipe underdrains.

All dimensions are in millimeters unless otherwise noted.



OHIO DEPARTMENT OF TRANSPORTATION

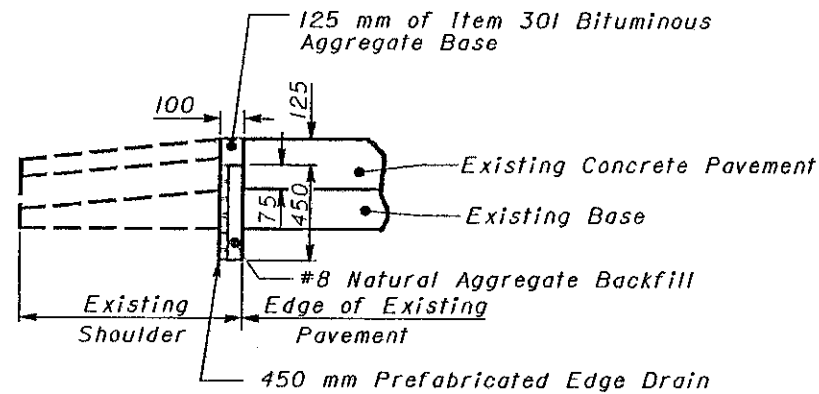
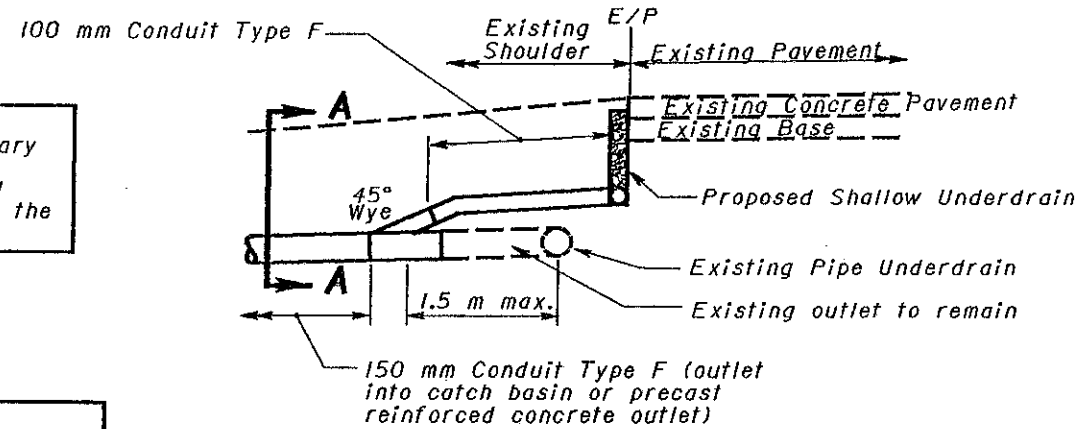
SHALLOW UNDERDRAINS

DATE
6-30-95
10-21-97

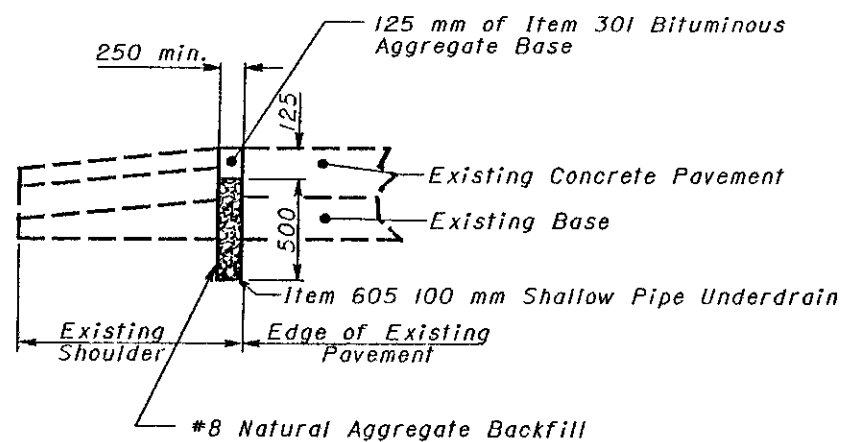
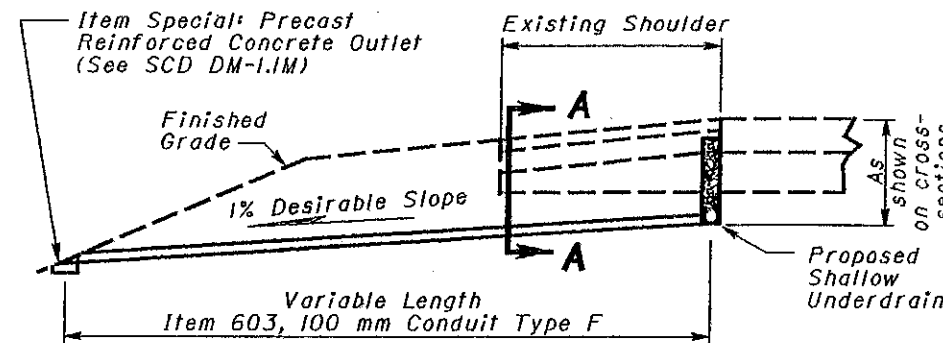
STANDARD CONSTRUCTION DRAWING **DM-1.2M**

APPROVED *[Signature]*

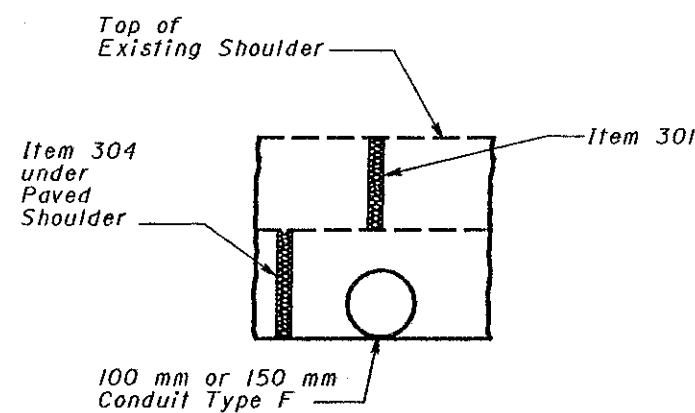
NOTE:
The cost of the 100 mm Conduit Type F and necessary pipe bends and branches needed to connect the existing and proposed underdrains shall be included with the cost of the 150 mm Conduit Type F beyond the existing underdrain.



PREFABRICATED EDGE DRAIN SYSTEM



PIPE UNDERDRAIN SYSTEM



SECTION A-A

SHALLOW UNDERDRAIN SYSTEM