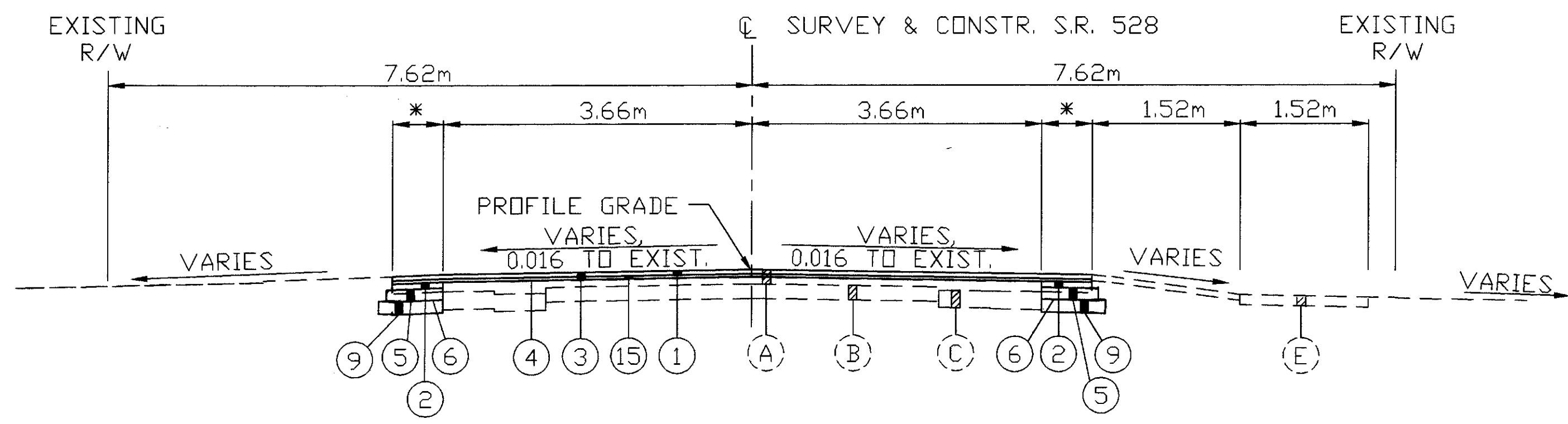


**EXISTING SECTION**  
 STA. 8+070.00 TO STA. 8+092.525  
 STA. 8+107.425 TO STA. 8+130.000



**FEATHER SECTION**  
 STA. 8+070.00 TO STA. 8+090.525 = 20.525m  
 STA. 8+109.475 TO STA. 8+130.00 = 20.525m  
 TOTAL LENGTH = 41.050m

\* VARIES FROM 0.54m TO EXISTING (0.61m)

NOTE: FOR LEGEND SEE SHEET No. 2.