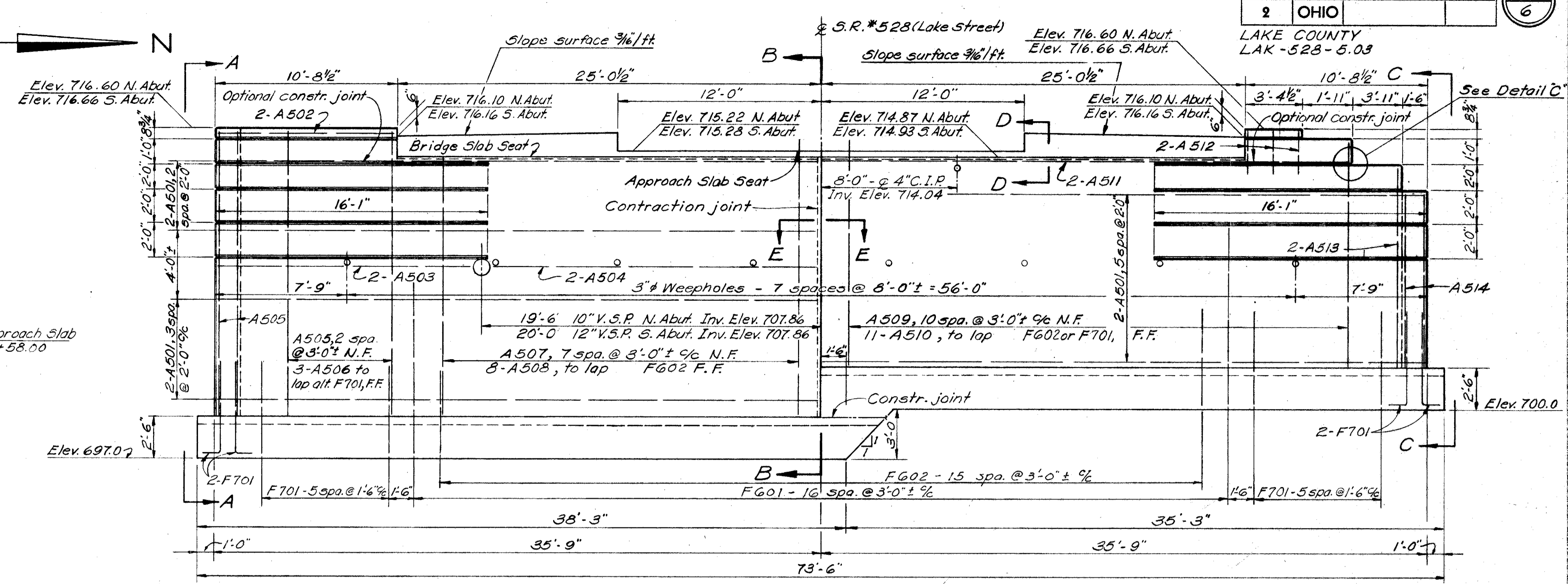


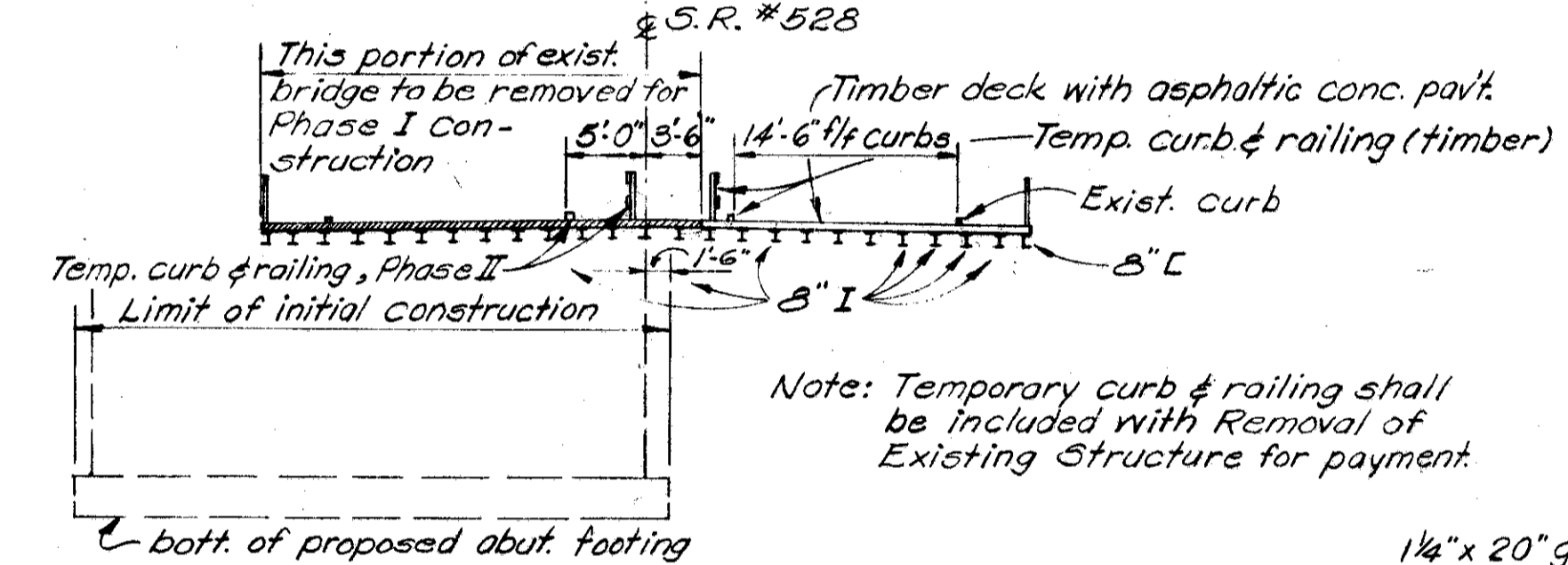
**GENERAL PLAN**



**ABUTMENT ELEVATION**

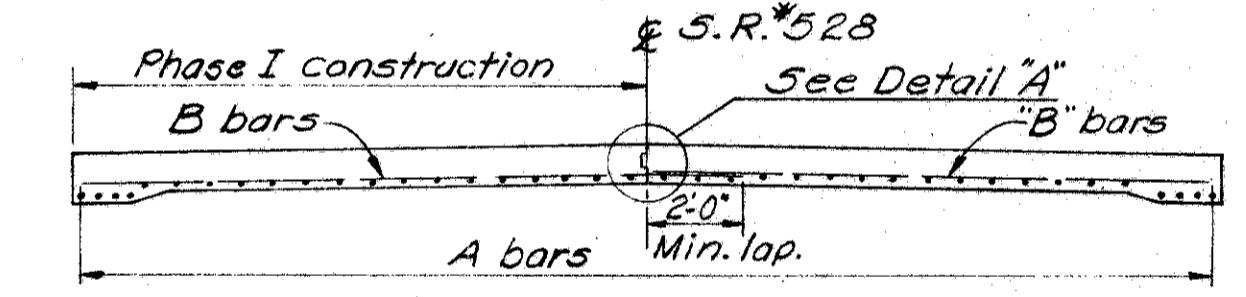
North Abutment as shown, South Abutment opposite hand  
 Note: Cost of 10" & 12" V.S.P. through wall, and connection behind wall shall be included with abutment concrete for payment.

**NOTE:**  
 For Elevations A-A & C-C and Sections B-B, D-D, & E-E See sheet No. 6.  
 N.F. indicates near face and F.F. indicates far face.

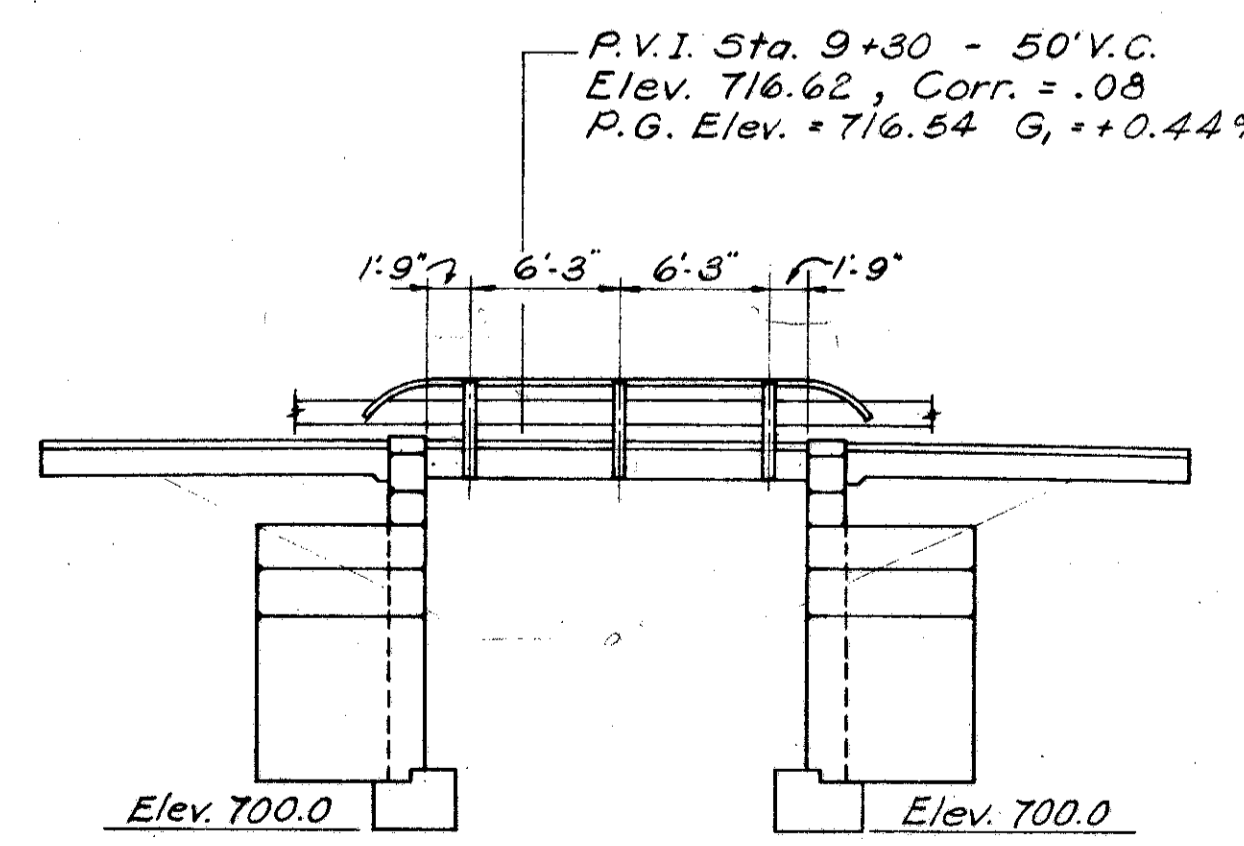


**SECTION LOOKING NORTH THRU EXISTING BRIDGE**

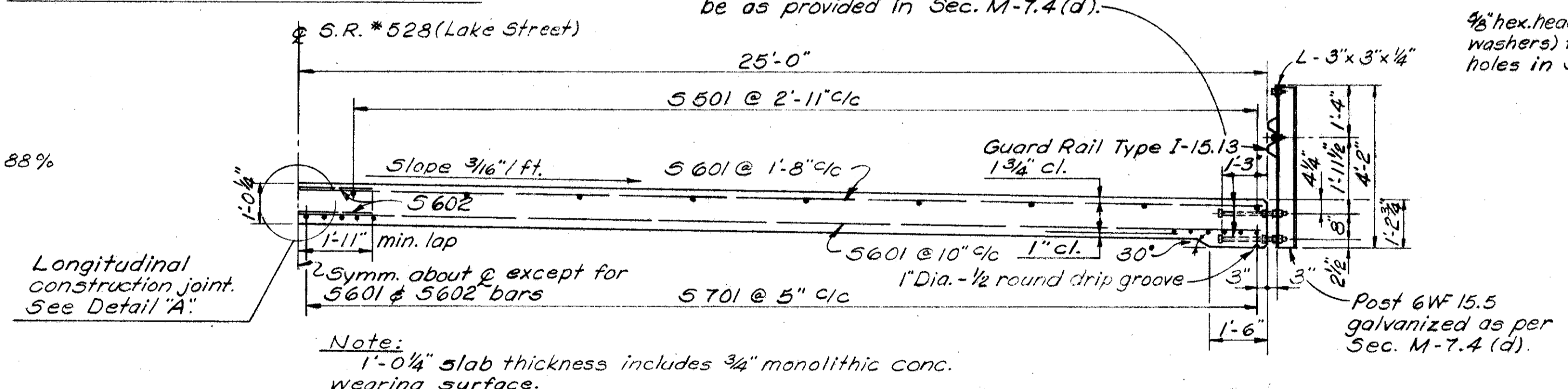
Note: Temporary curb & railing shall be included with Removal of Existing Structure for payment.



**SECTION THROUGH APPROACH SLAB**  
 (For additional details see Standard Drawing AS-1-54)

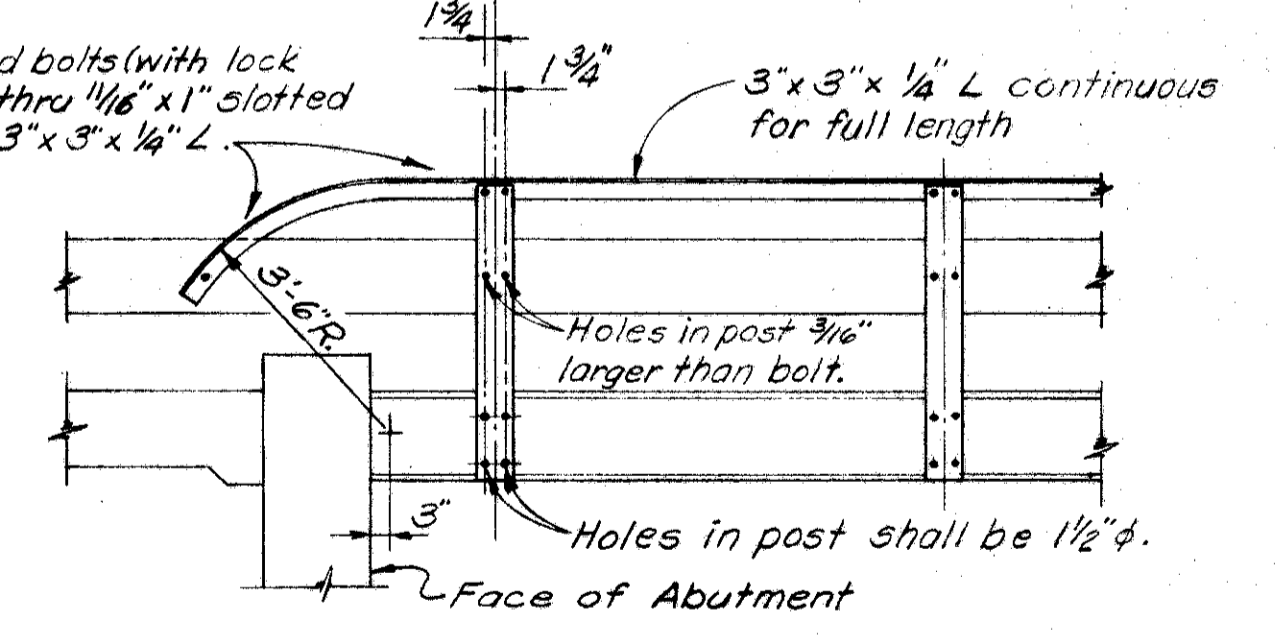


**EAST ELEVATION**

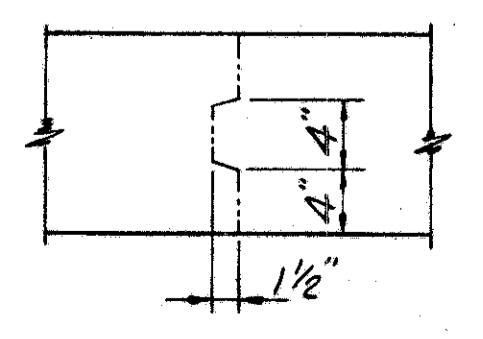


**TRANSVERSE SECTION LOOKING NORTH**

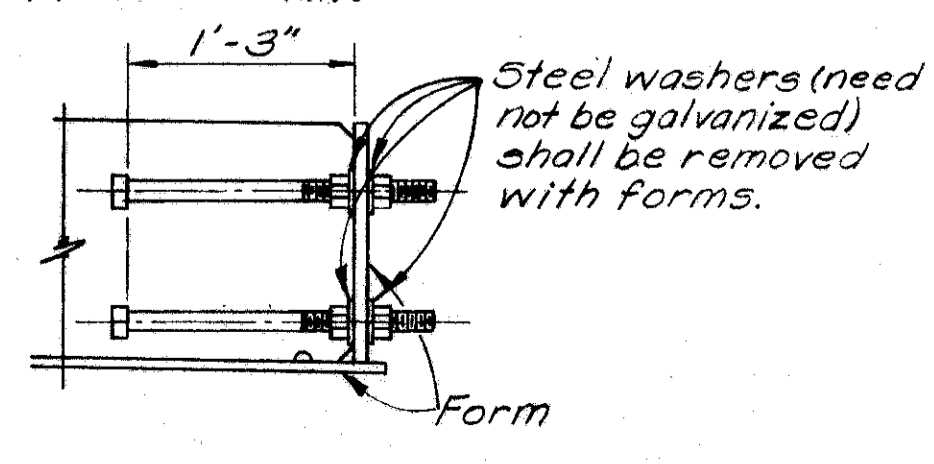
5602 bars shall be used in western half and 5601 bars shall be used in eastern half.



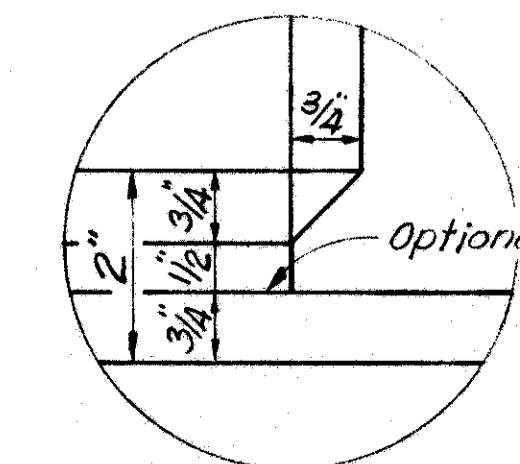
**RAILING ELEVATION**



**DETAIL "A"**



**DETAIL "B"**



**DETAIL "C"**

ALDEN E. STILSON & ASSOCIATES, LIMITED  
 CONSULTING ENGINEERS  
 COLUMBUS, OHIO

**GENERAL PLAN & ELEVATION  
 ABUTMENT & SUPERSTRUCTURE  
 DETAILS**

BRIDGE No LAK-528-0503  
 LAKE COUNTY STA. 9+34.00

DESIGNED	DRAWN	TRACED	CHECKED	REVIEWED	DATE	REVISED
G.W.M.	G.W.M.		S.V.C.			