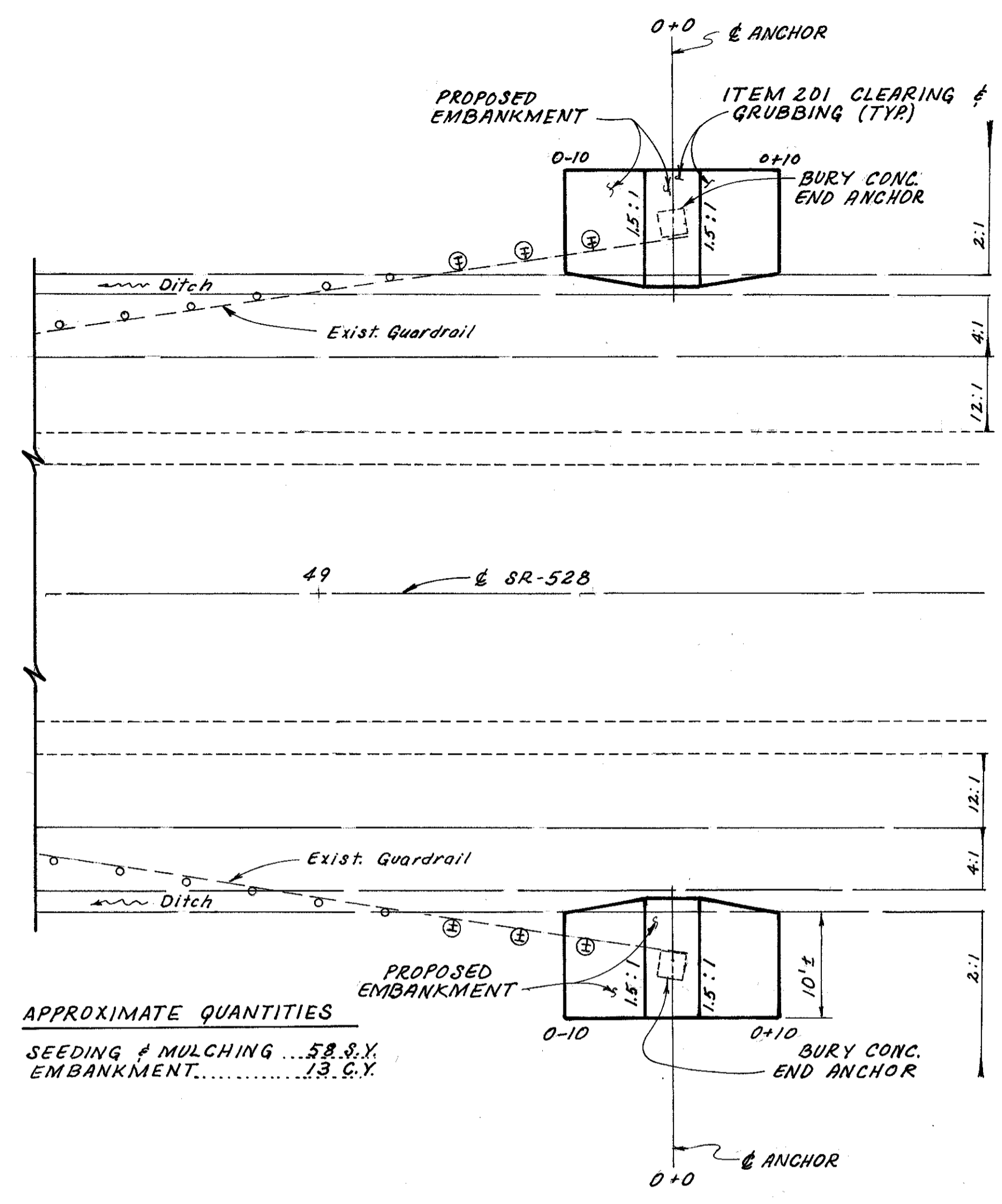


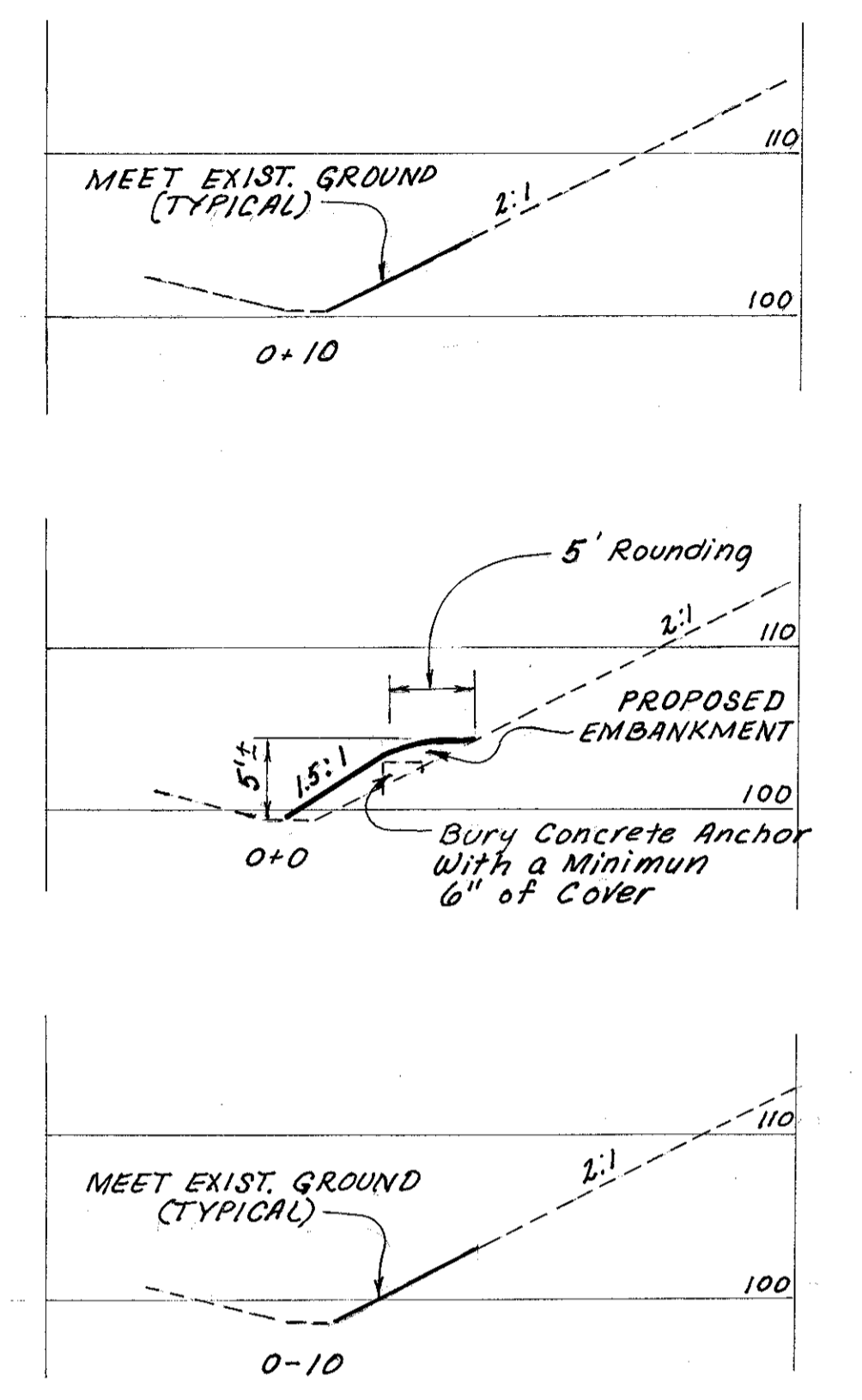
NOTE:
Exist. Bridge Terminal Assemblies are as per Std. Draw'g GR-3B-76

PLAN-BRIDGE TERMINAL ASSEMBLIES

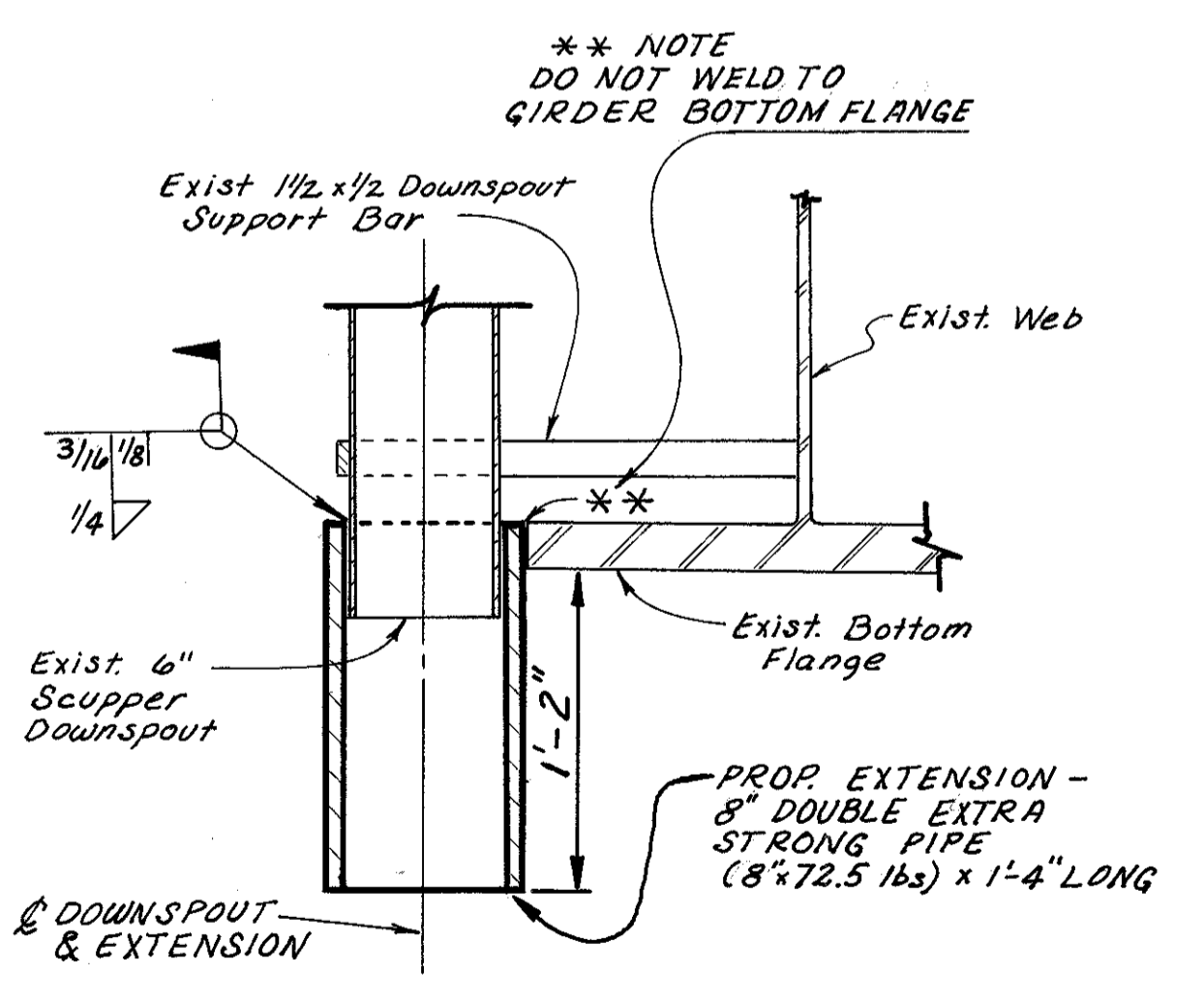


APPROXIMATE QUANTITIES
SEEDING & MULCHING ... 58 S.Y.
EMBANKMENT ... 13 C.Y.

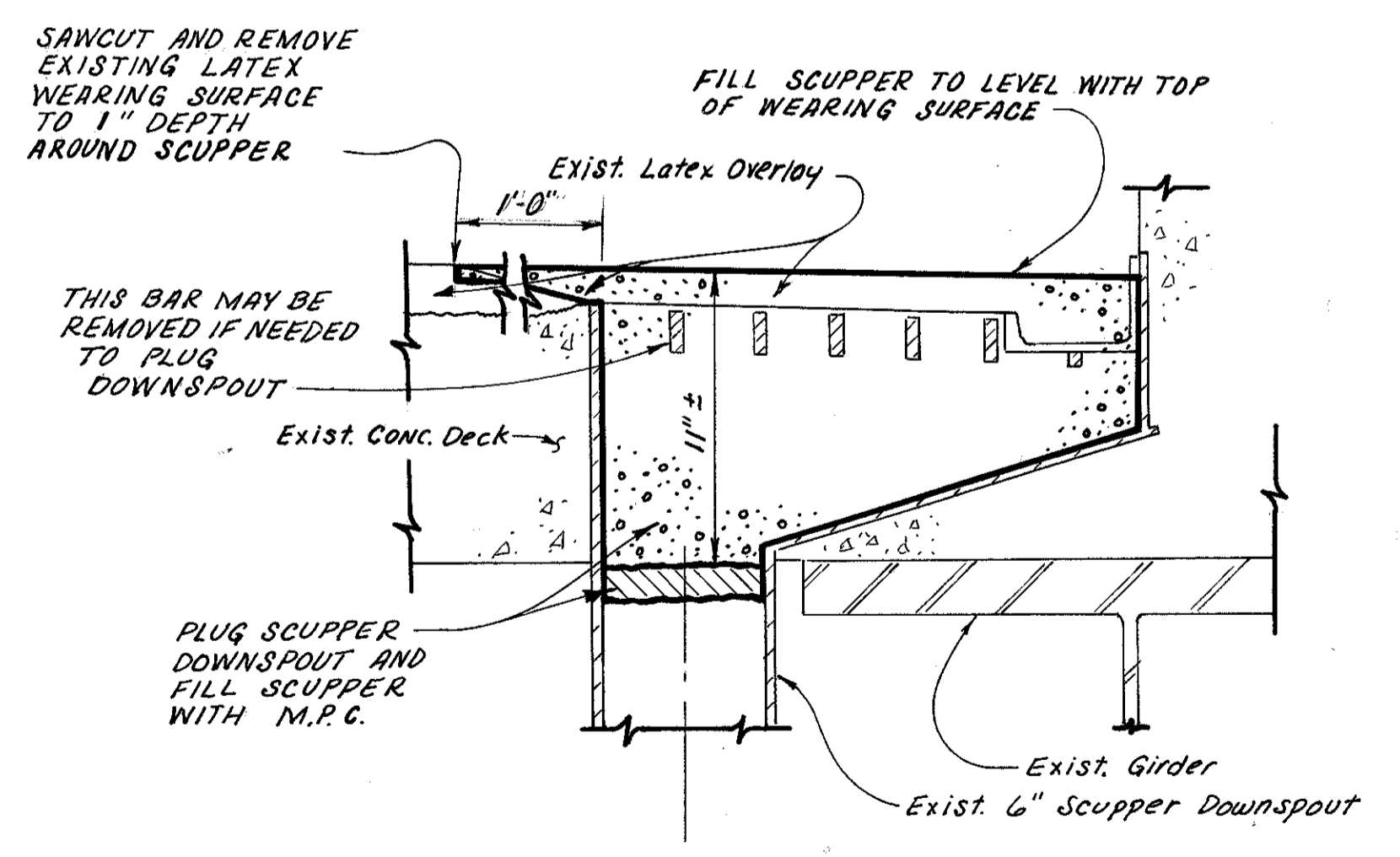
PLAN-END ANCHOR ASSEMBLIES



TYPICAL EMBANKMENT SECTIONS



SCUPPER EXTENSION DETAIL



SCUPPER PLUGGING DETAIL

STATE OF OHIO DEPARTMENT OF TRANSPORTATION DISTRICT 12 BRIDGE DEPARTMENT				
GUARDRAIL MODIFICATIONS AND SCUPPER DETAILS BRIDGE NO. LAK-528-0192 OVER THE GRAND RIVER				
LAKE COUNTY				OHIO
DESIGNED WCP DATE	TRACED WCP DATE	CHECKED DWL DATE	REVIEWED GWM DATE 3/10/87	REVISED DATE
				SHEET 12/13