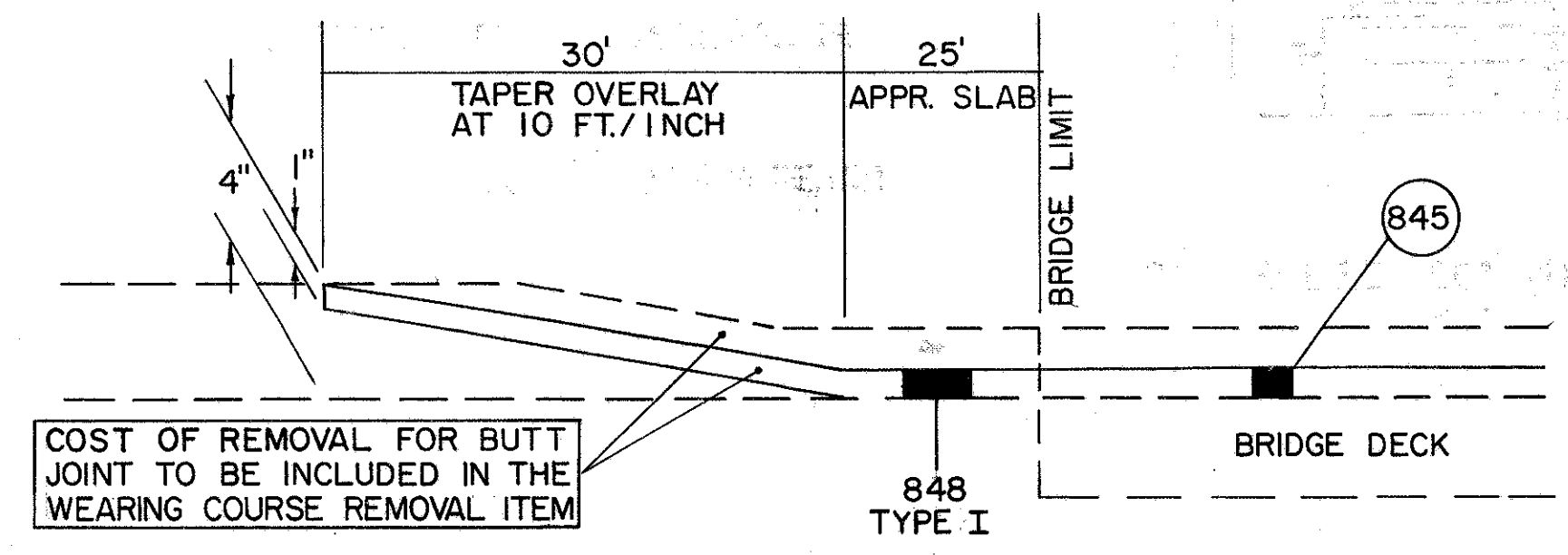
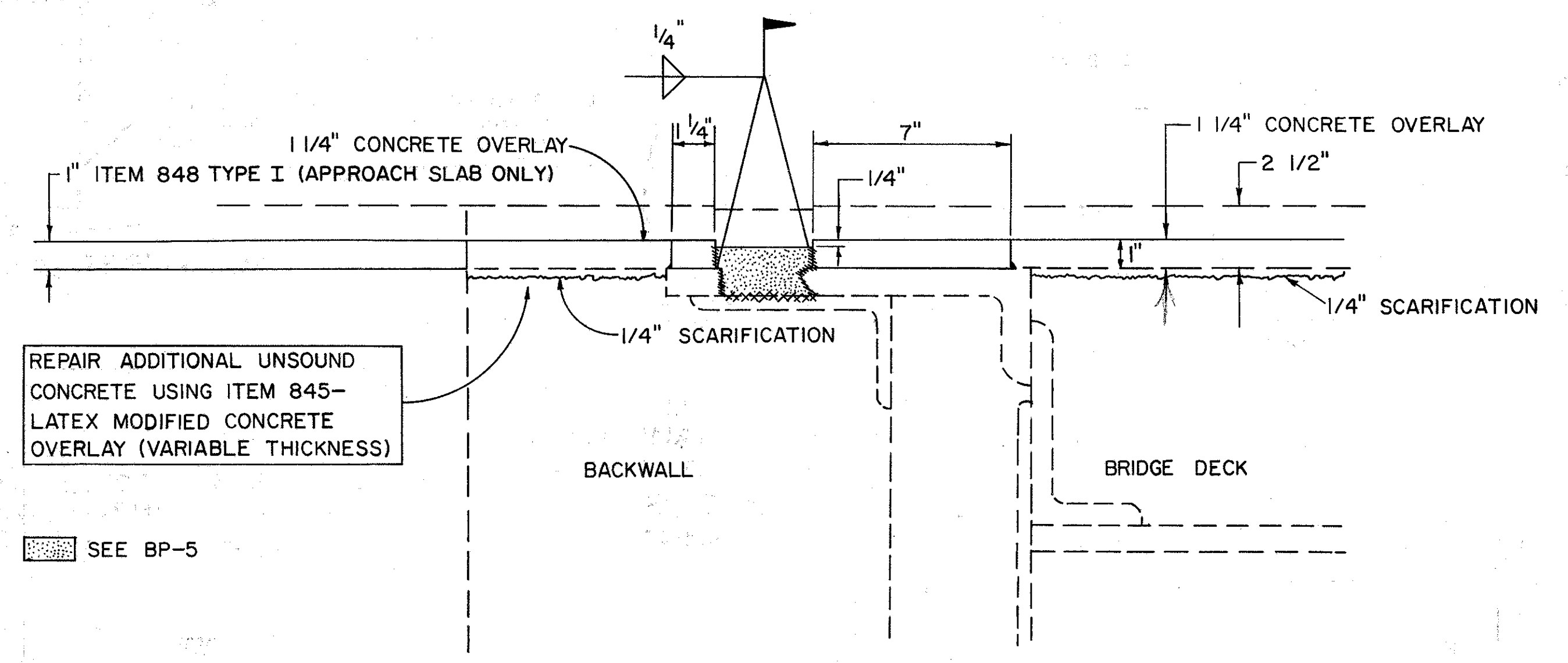
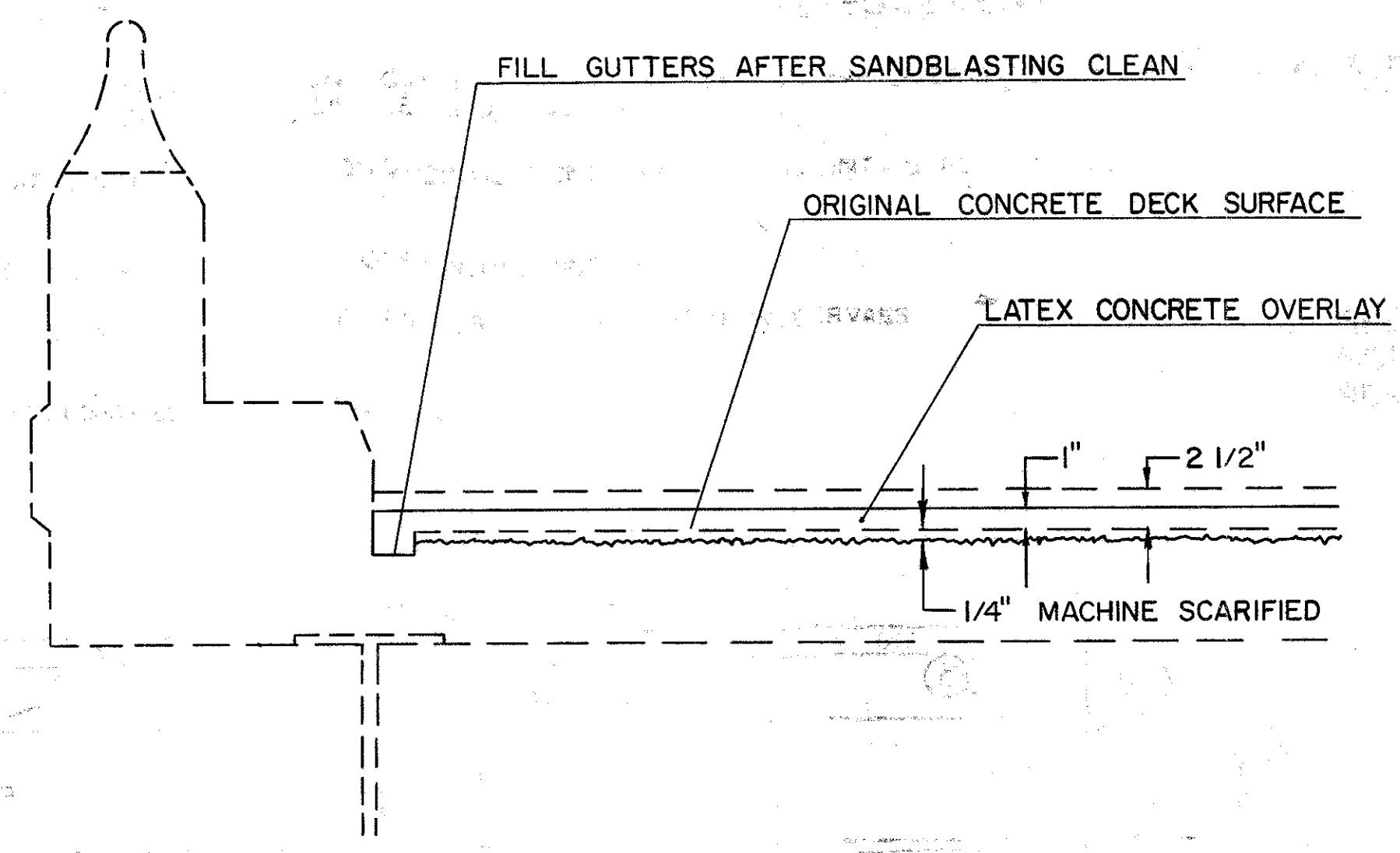
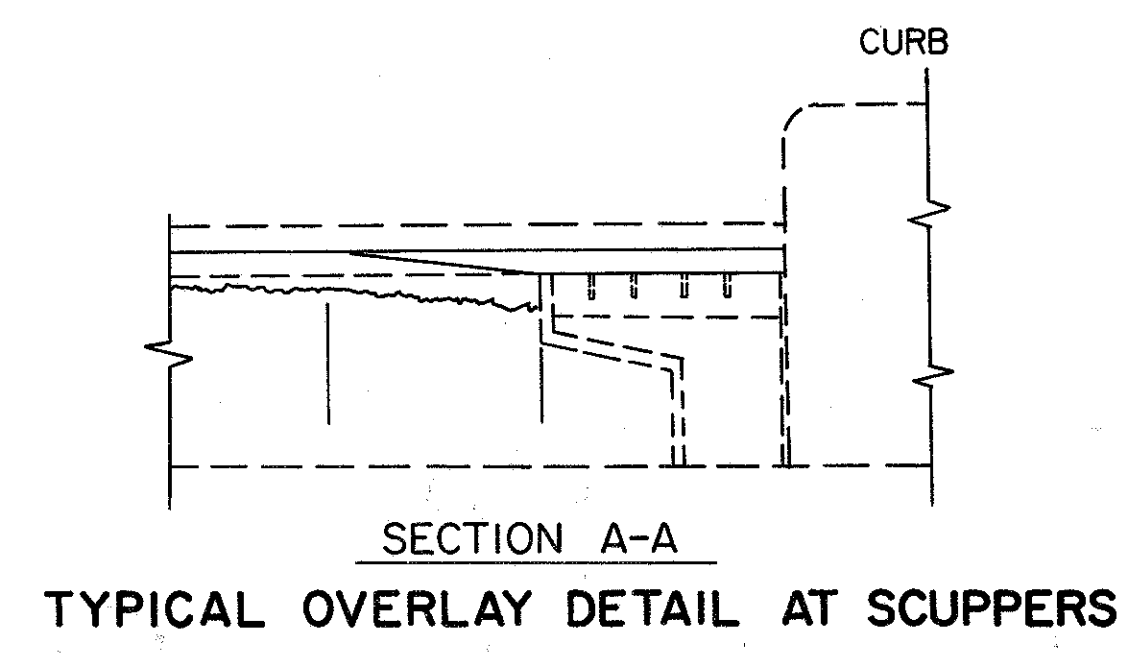
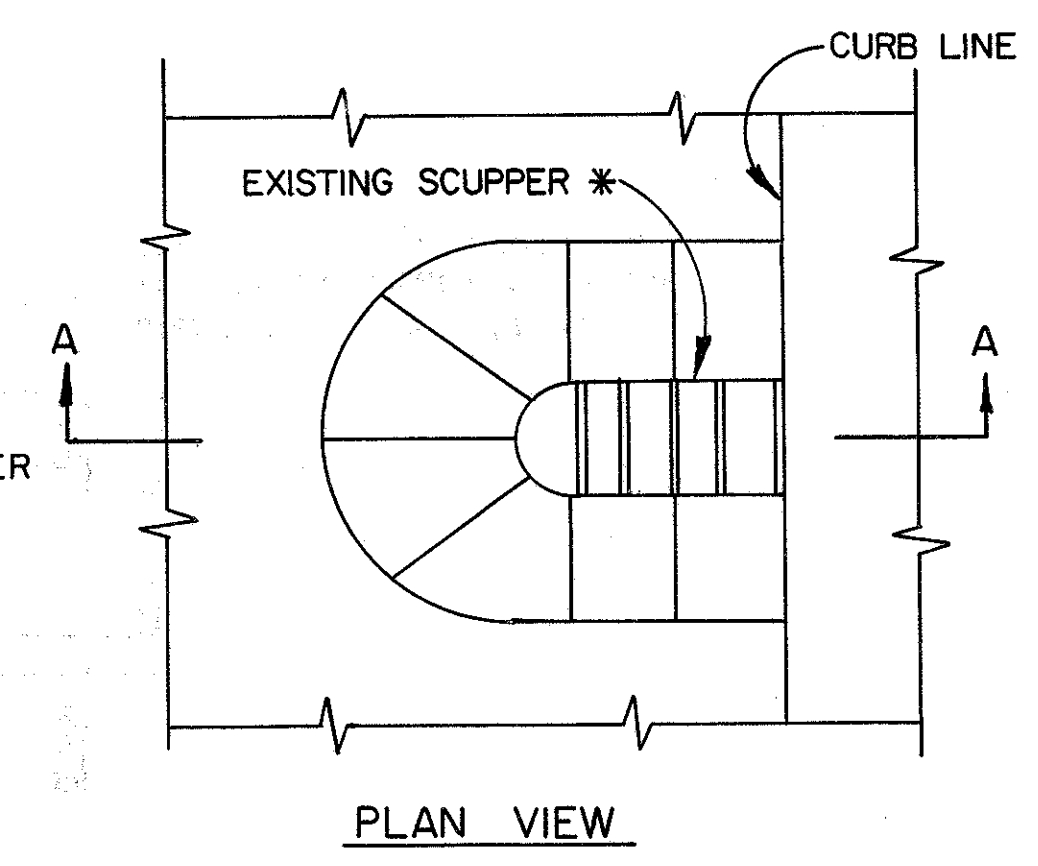


305 PAVEMENT REPAIRS  
 DETAIL 5 (PAVEMENT JOINTS)

FHWA REGION	STATE	PROJECT
5	OHIO	

LAKE COUNTY  
 LAK-44-711

\* SCUPPERS AS FOUND MAY BE REVERSED 180° OR OF ANOTHER TYPE THAN THAT SHOWN.



REPAIR ADDITIONAL UNSOUND CONCRETE USING ITEM 845-LATEX MODIFIED CONCRETE OVERLAY (VARIABLE THICKNESS)

SEE BP-5

COST OF REMOVAL FOR BUTT JOINT TO BE INCLUDED IN THE WEARING COURSE REMOVAL ITEM

Rev 184