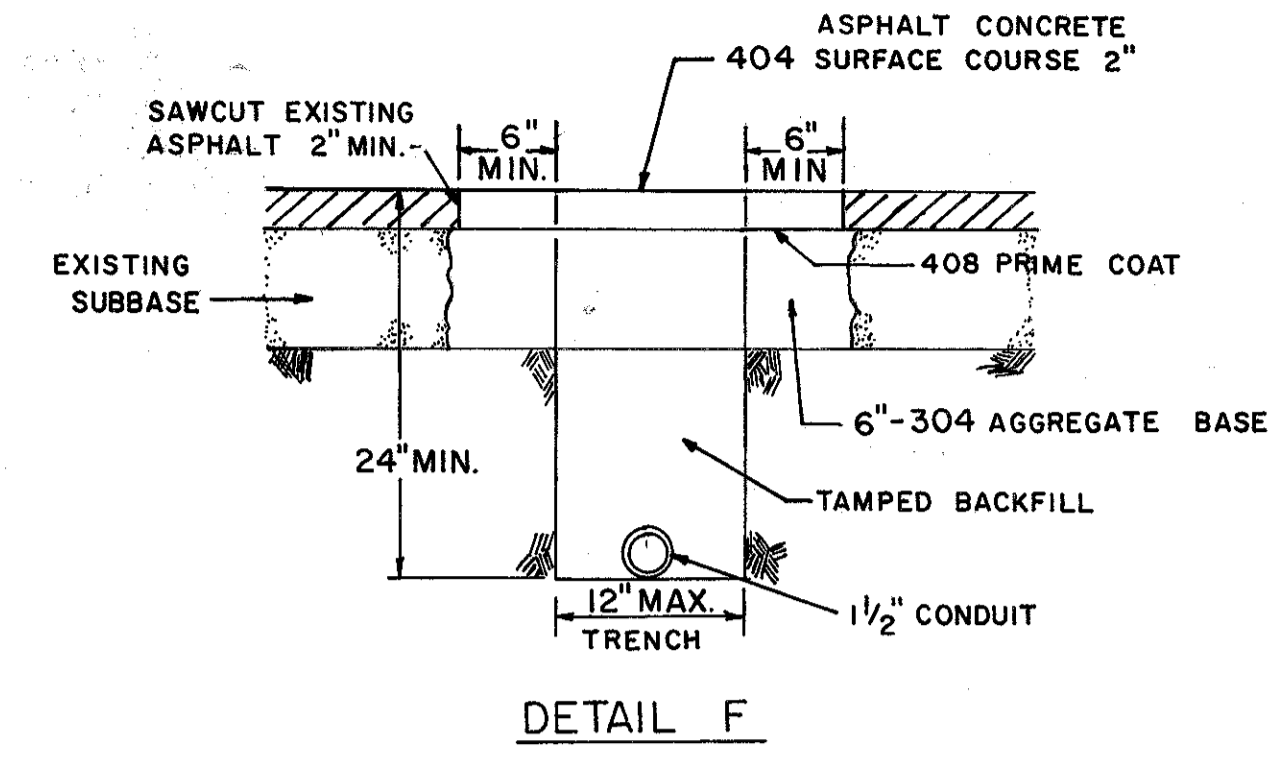
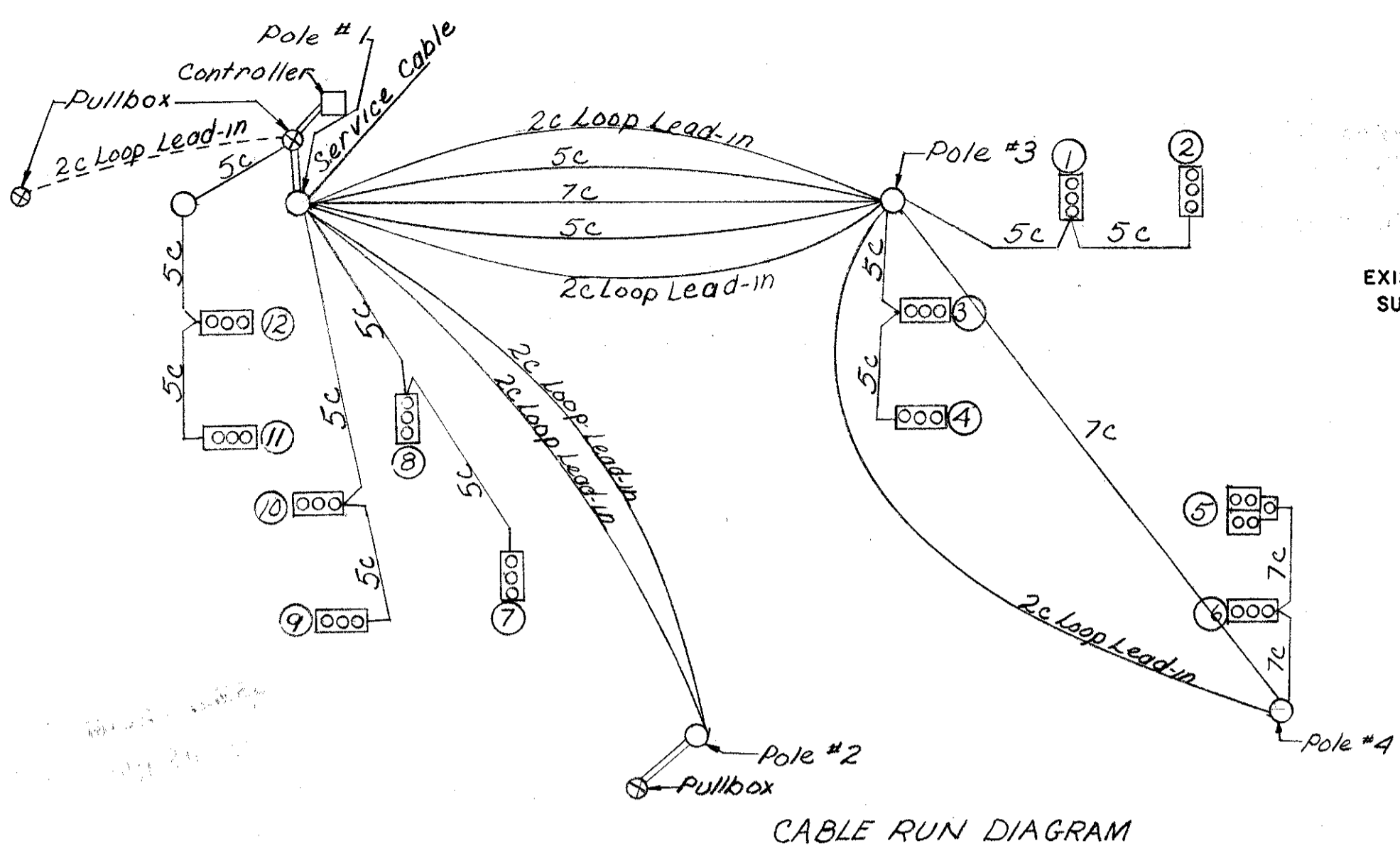


Quantity	Description

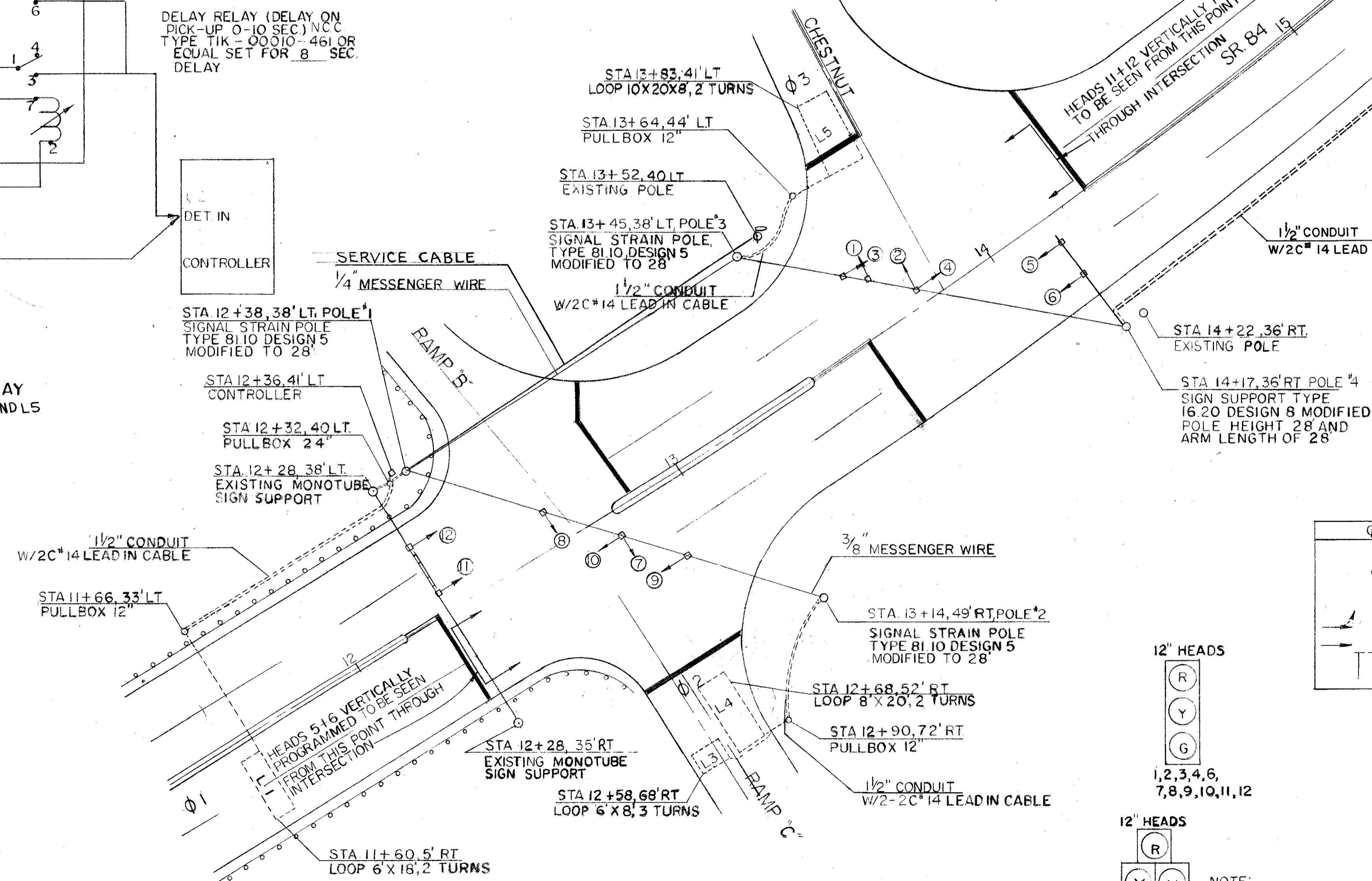
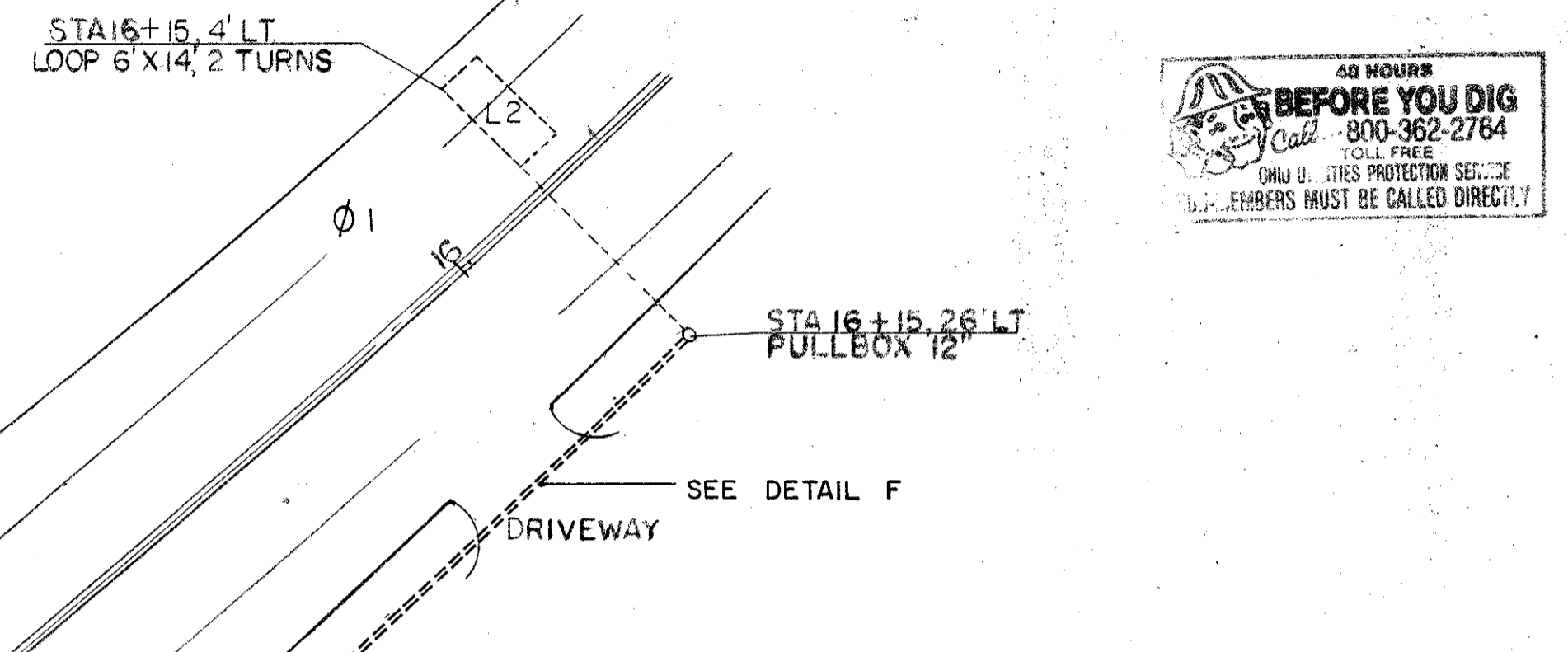
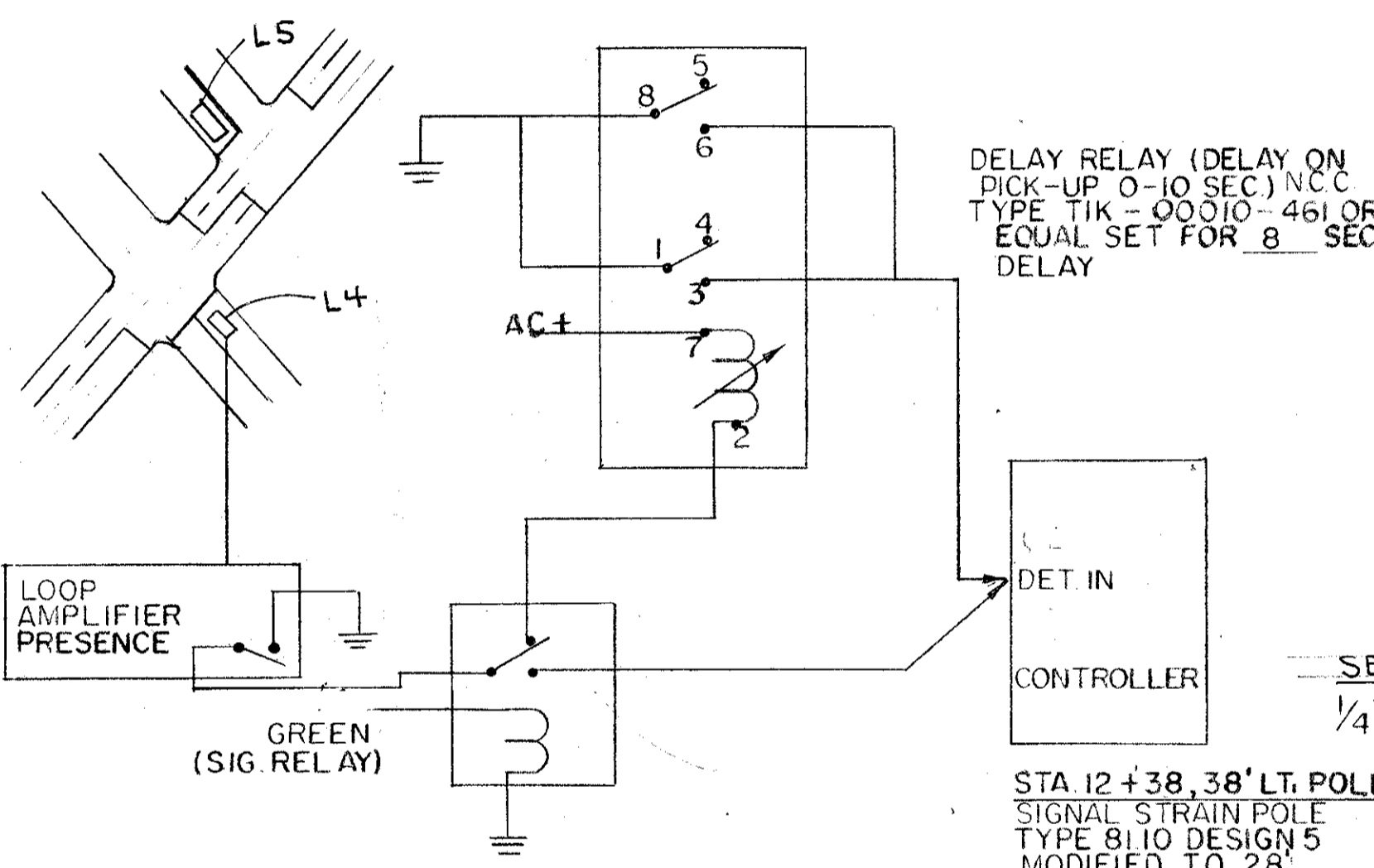
FHWA REGION	STATE	PROJECT		
5	OHIO			

LAKE COUNTY
LAK-44-3.81

NOTE:
ALL PAVEMENT MARKINGS ARE TO BE DONE BY STATE FORCES.

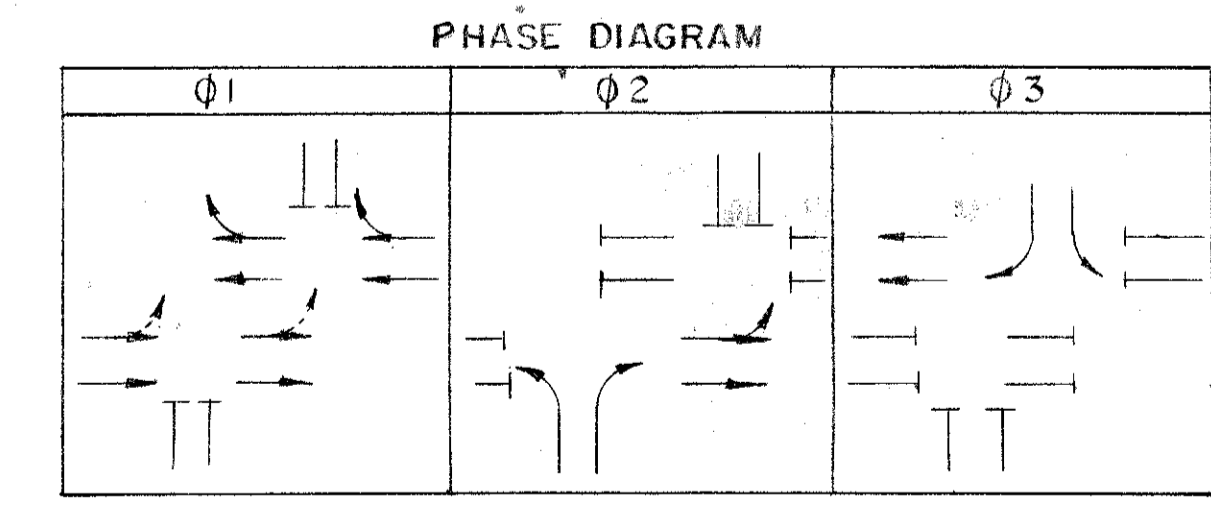


MICROFILMED
OCT 26 1983

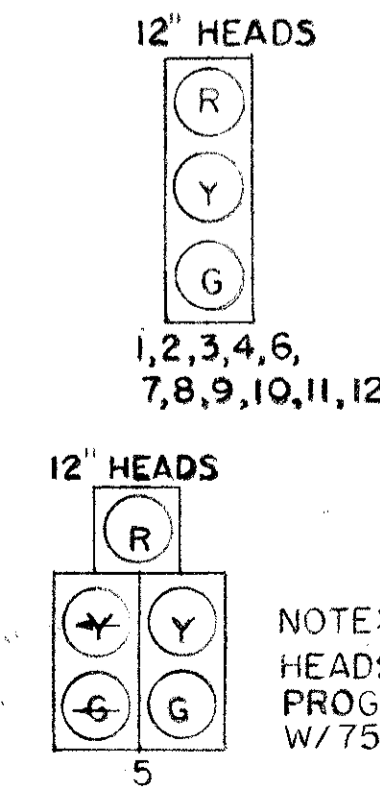


SEQUENCE INTERVAL	SIGNAL NUMBER												DESCRIPTION OF INTERVAL
	1	2	3	4	5	6	7	8	9	10	11	12	
φ1	1	R	R	G	G	G	R	R	G	G	G	G	φ1 R/W
	2	R	R	Y	Y	G	G	R	R	Y	Y	Y	φ1 CLEAR 1
	3	R	R	R	R	G	G	R	R	R	R	R	φ1 CLEAR 2
φ2	4	R	R	R	R	G	G	R	R	R	R	R	φ2 R/W
	5	R	R	R	R	Y	Y	Y	R	R	R	R	φ2 CLEAR 1
	6	R	R	R	R	R	R	R	R	R	R	R	φ2 CLEAR 2
φ3	7	G	G	R	R	R	R	R	R	R	G	G	φ3 R/W
	8	Y	Y	R	R	R	R	R	R	R	Y	Y	φ3 CLEAR 1
	9	R	R	R	R	R	R	R	R	R	R	R	φ3 CLEAR 2

TIMING CHART			
	φ1	φ2	φ3
MIN. GREEN	14	10	10
EXTENSION	4	3	3
MAX. GREEN	40	35	30
YELLOW CLEARANCE	4	3	3
ALL RED	1	1	1
RECALL	ON	OFF	OFF



FLASHER OPERATIONS
 Yellow to SR 84
 Red to RAMP C AND CHESTNUT
 Signal shall flash intermittently not less than 50 nor more than 60 times per minute.
 Signal No. _____
 Original installation installed _____
 This installation installed _____
 File Number _____



DATE	REVISIONS	ELECTRICAL INSTALLATION			
		District J2 County CUYAHOGA 1" = 20'			
		DESIGNED	DRAWN	REVISED	CHECKED
			R.J.M.		

Signal Plan