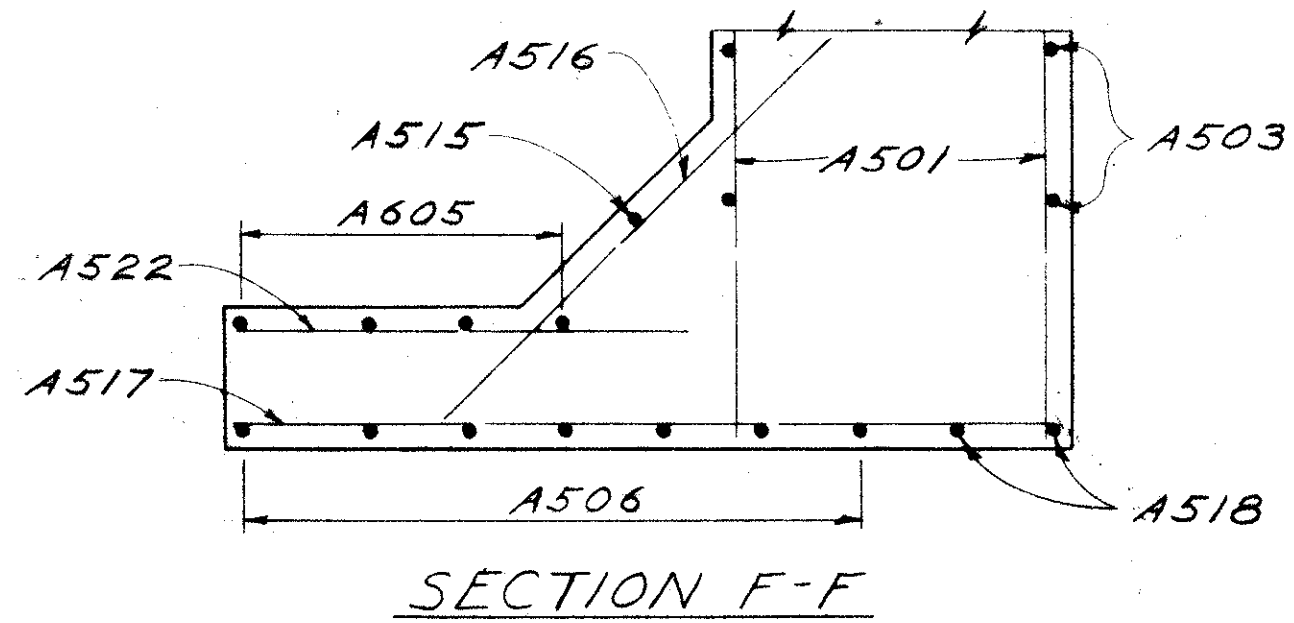
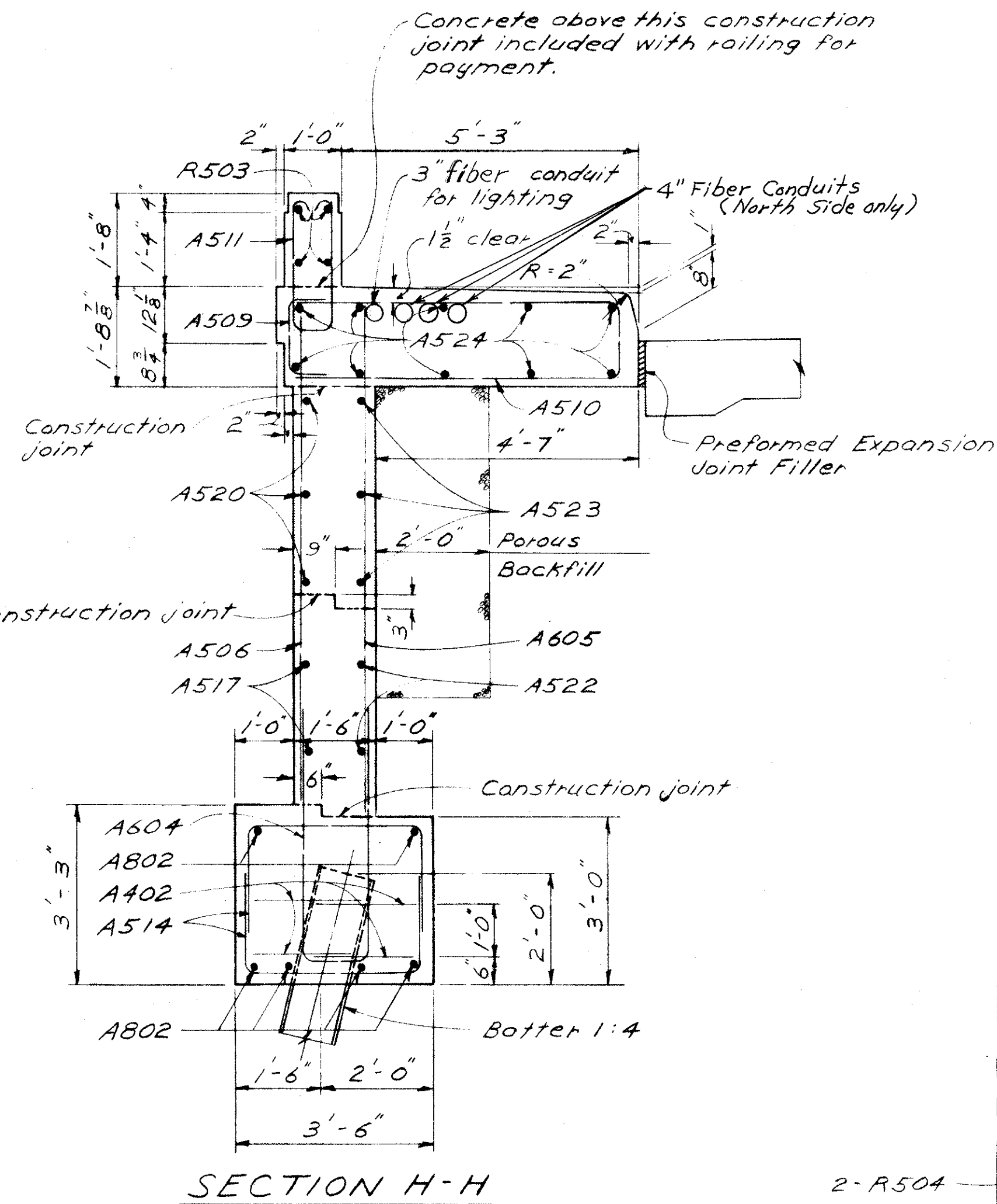


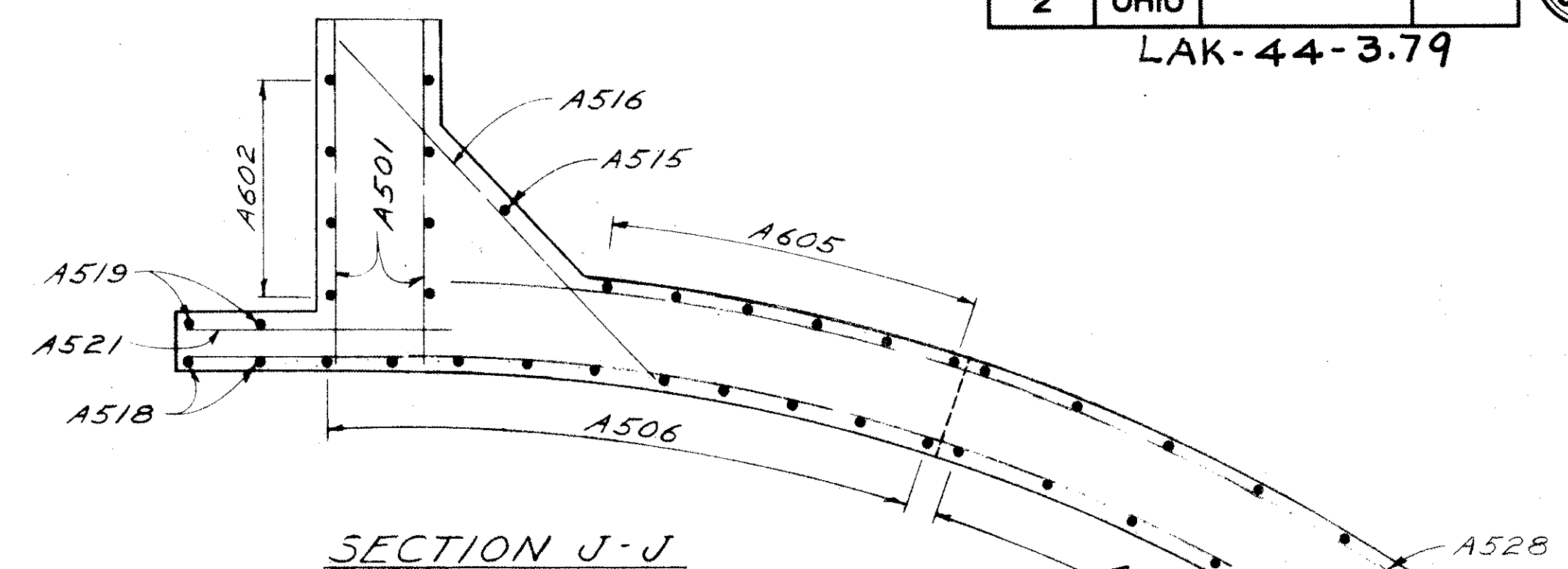
SECTION G-G



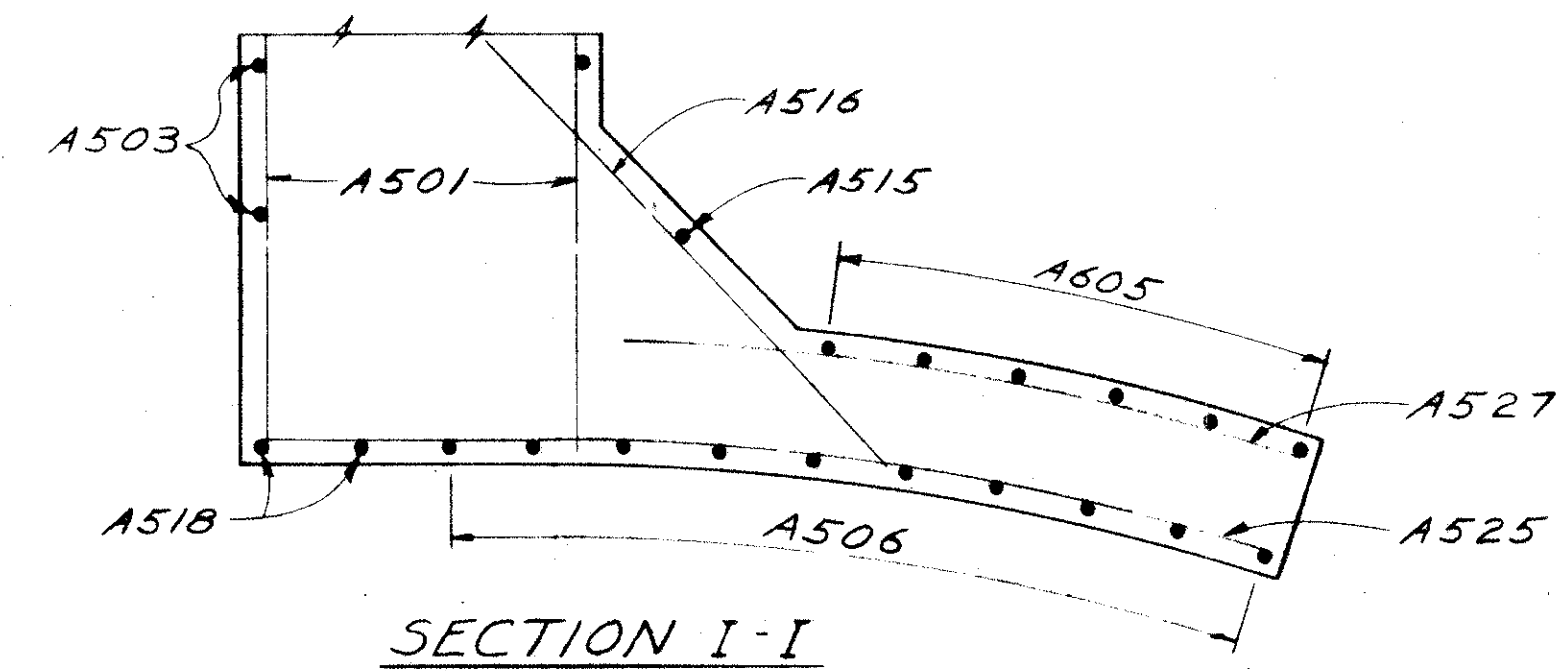
SECTION F-F



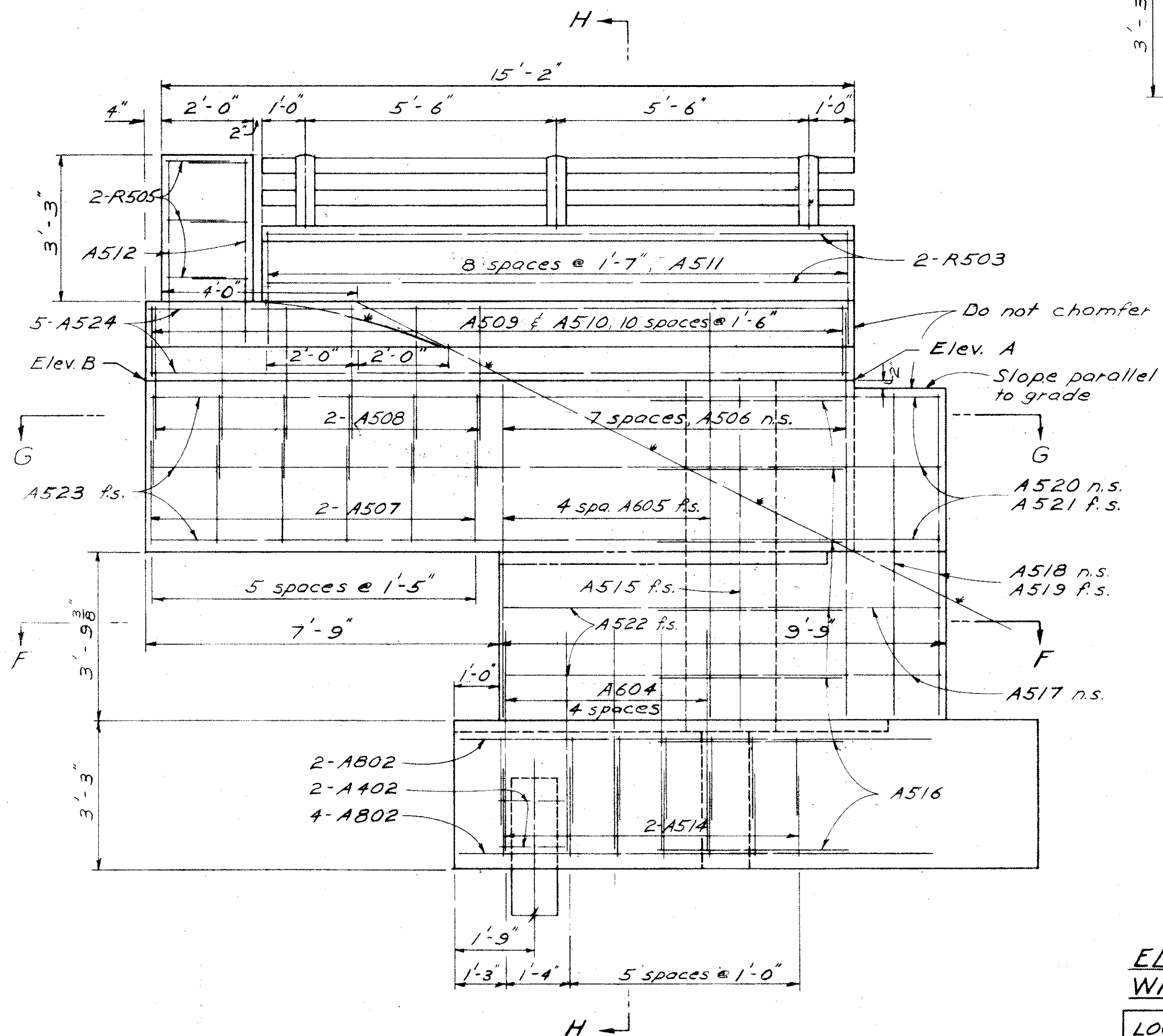
SECTION H-H



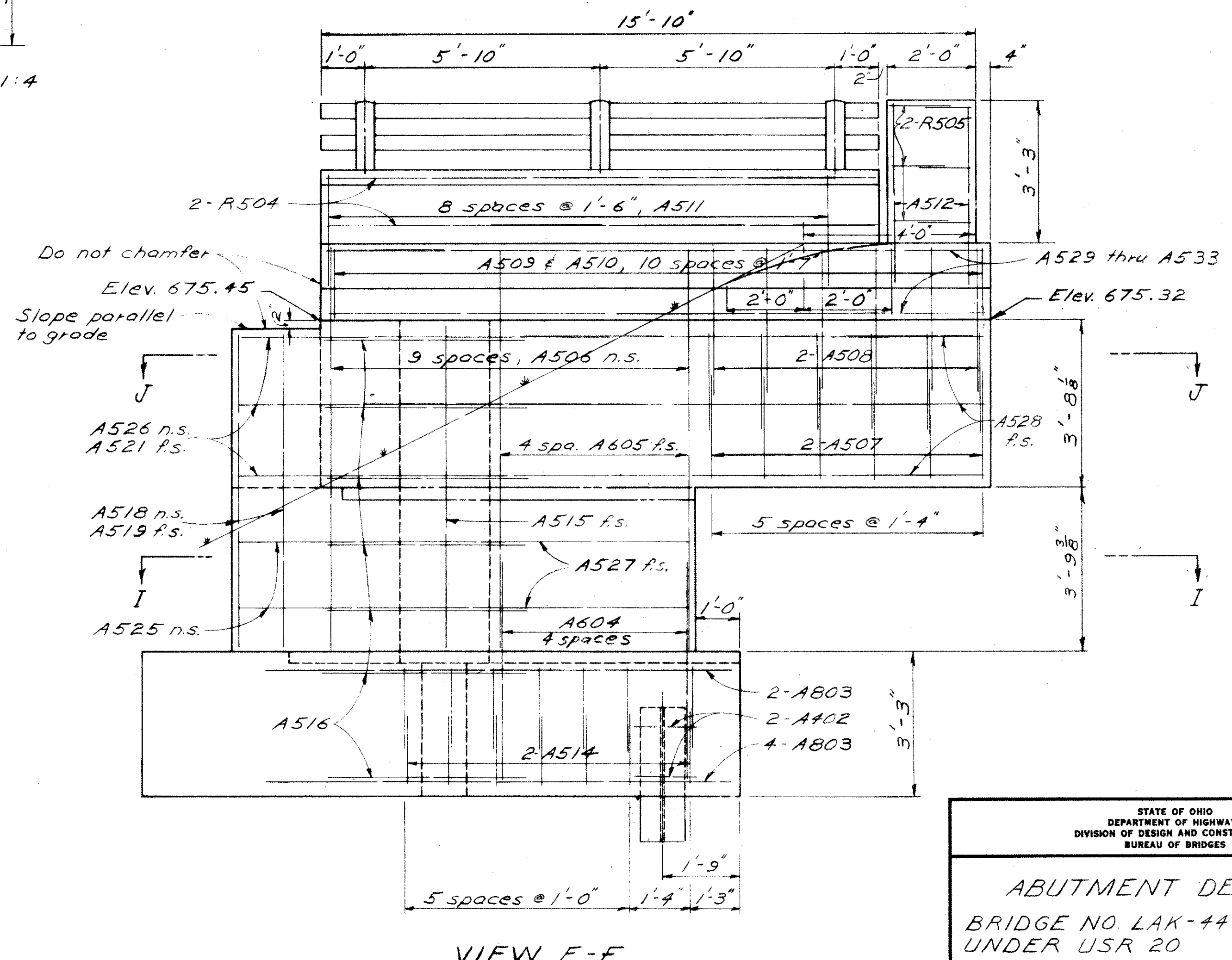
SECTION J-J



SECTION I-I



TYPICAL WING ELEVATION



VIEW E-E

ELEVATIONS FOR TYPICAL WING ELEVATION

LOCATION	A	B
Rear Abutment	675.45	675.41
Forward Abutment	675.96	676.00

STATE OF OHIO
DEPARTMENT OF HIGHWAYS
DIVISION OF DESIGN AND CONSTRUCTION
BUREAU OF BRIDGES

ABUTMENT DETAILS
BRIDGE NO. LAK-44-0489
UNDER USR 20
LAKE COUNTY S.R. 44 RELOC.
STA. 274+90.14

DESIGNED	DRAWN	Reprod. Dwg.	CHECKED	REVIEWED	DATE	REVISED
EBL	EBL		E.J.S.	BFG	7-25-61	