

NOTES

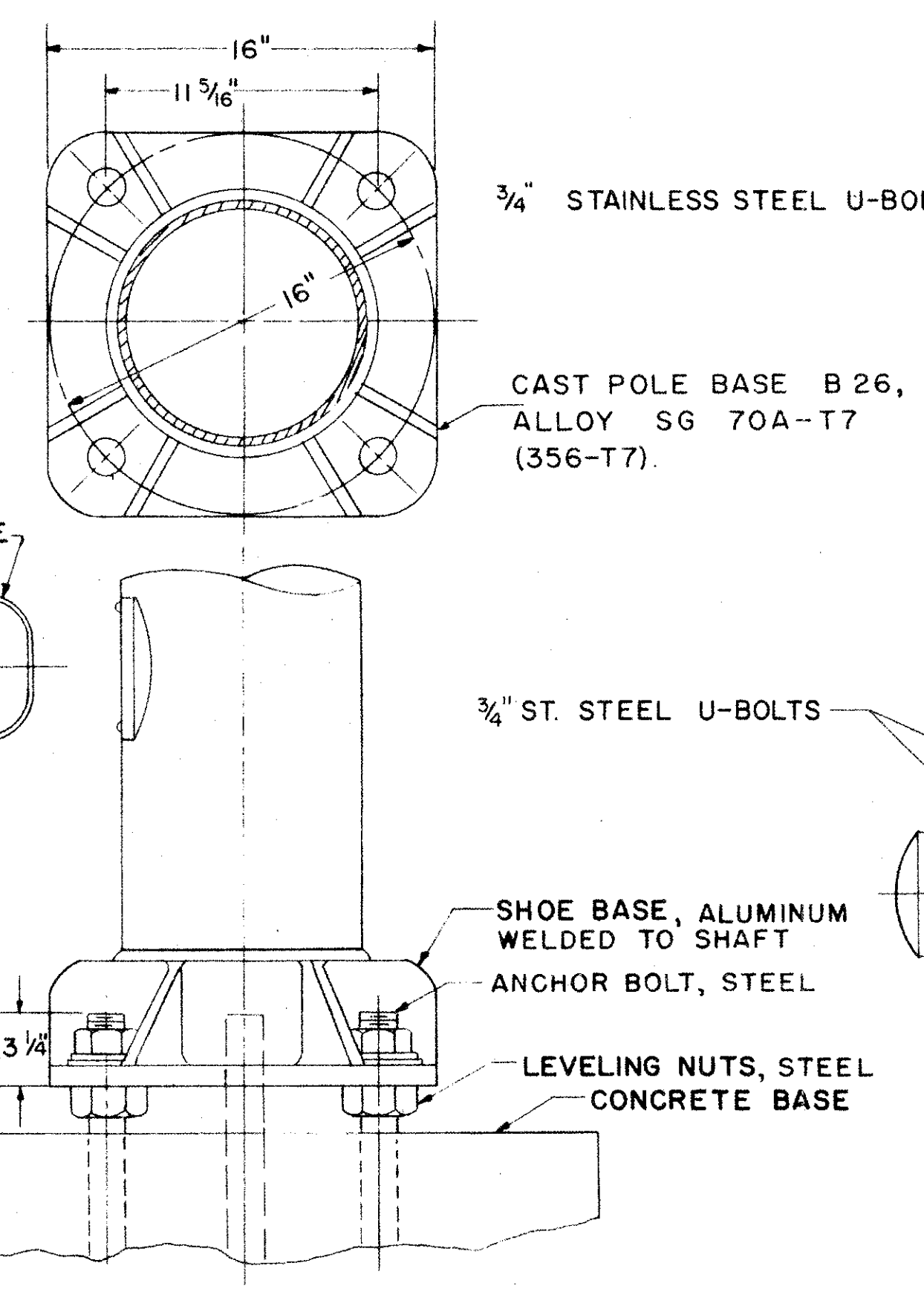
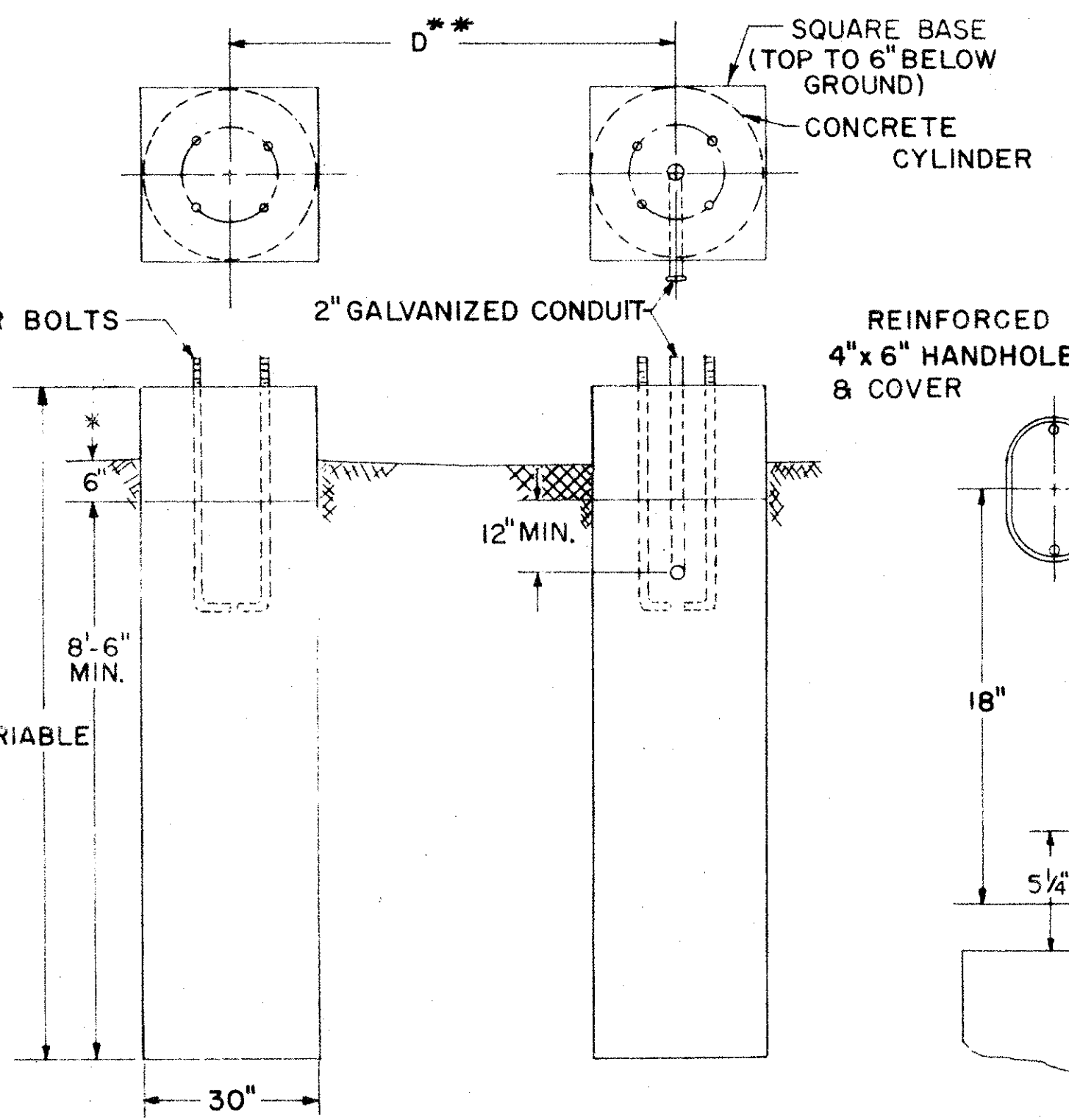
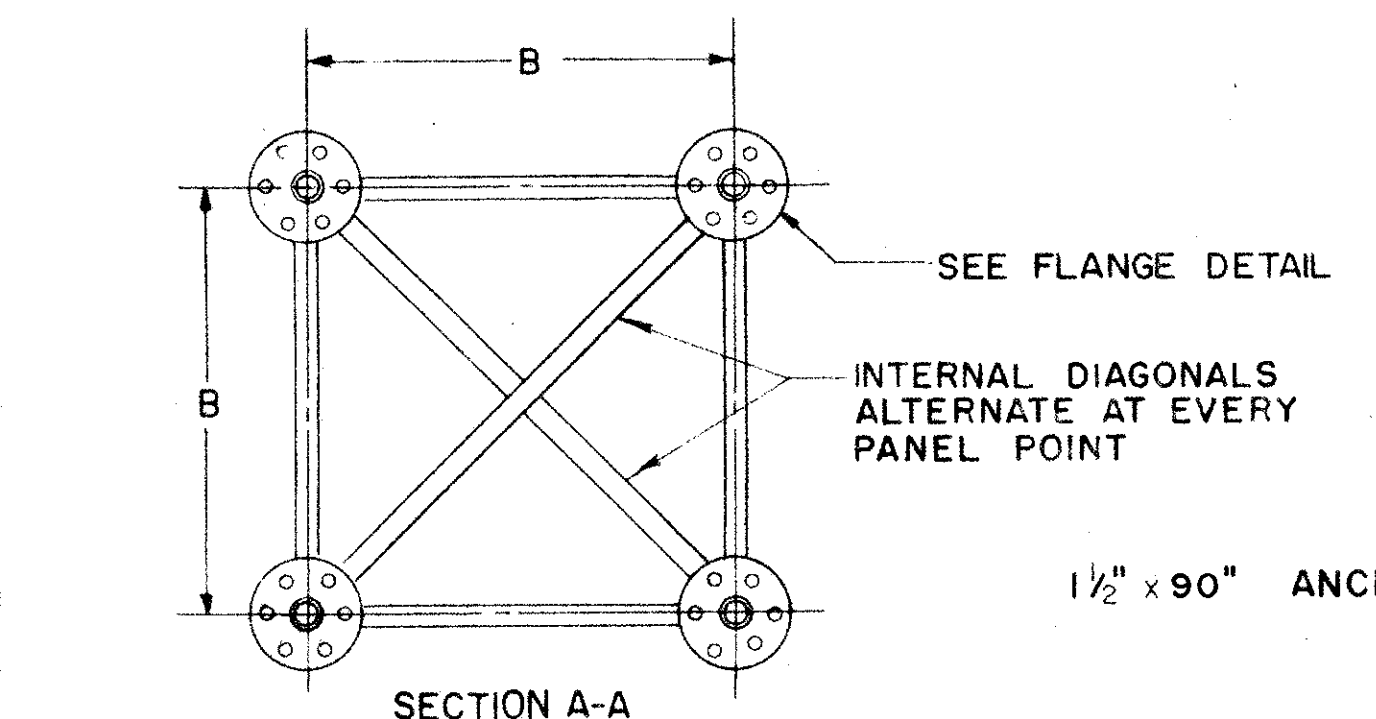
GENERAL
SEE SHEET 149 FOR STEEL END FRAME AND FOUNDATION DETAILS.

FABRICATION
SPAN SECTIONS ARE REQUIRED AS FOLLOWS:
2 FOR 50' TO 60' SPAN
3 FOR 65' TO 90' SPAN
4 FOR 95' TO 105' SPAN

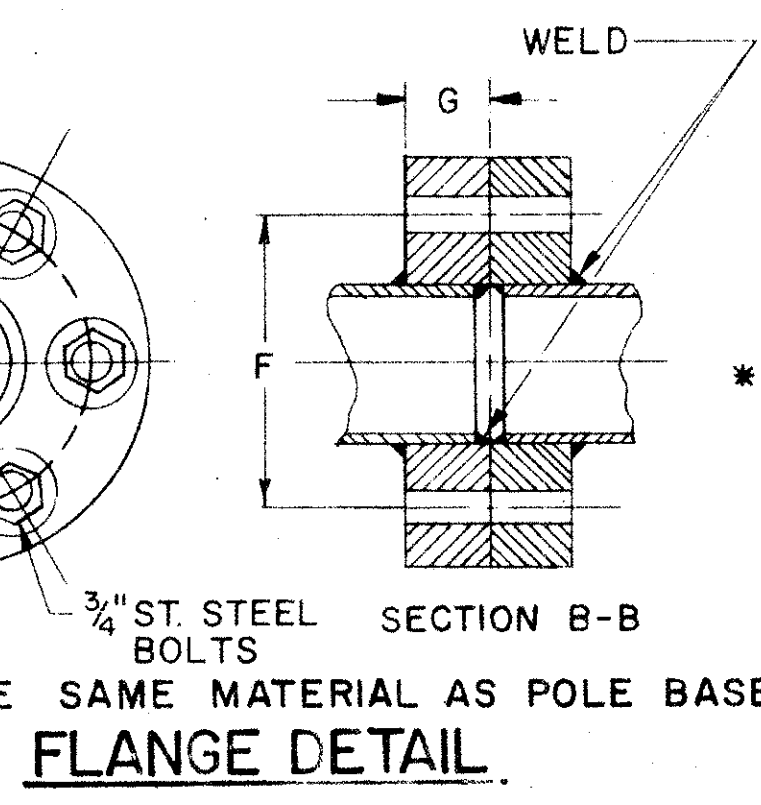
ERECTION:
USE A MIN. OF 1" CAMBER IN THE CROSS-MEMBER FOR A 50' SPAN AND ADD 1/4" OF CAMBER FOR EACH 5' INCREASE IN SPAN OVER 50'. THE GALVANIZED CONDUIT SHALL CONFORM TO SEC. S-25.08 AND SHALL BE INCLUDED IN THE UNIT PRICE BID FOR OVERHEAD SIGN SUPPORTS FOR PAYMENT.

SIGN ATTACHMENT

UPPER CLAMP



LOWER CLAMP



**NOTE: THE VALUES OF "D" IN THE TABLE ARE FOR TAPERED ALUMINUM END SHAFTS. WHERE STRAIGHT ALUMINUM END SHAFTS ARE SPECIFIED 2" SHOULD BE ADDED TO DIMENSION "D".

*NOTE: ELEVATION OF TOPS OF FOUNDATIONS SHALL BE BUILT UP SO THAT PROPER CLEARANCE IS MAINTAINED BETWEEN THE HIGHWAY CROWN AND THE CROSS MEMBER CENTERLINE.

DESIGN - THE DESIGN OF OVERHEAD SUPPORTS IS IN ACCORDANCE WITH A.A.S.H.O. SPECIFICATION FOR THE DESIGN AND CONSTRUCTION OF STRUCTURAL SUPPORTS FOR HIGHWAY SIGNS, ADOPTED JUNE 12, 1961.

DESIGN NO.	SPAN A	B	C	D**	E	F	HORIZONTAL & INTERNAL DIAGONALS	CHORD SIZE	END FRAME BRACE	VERTICAL DIAGONAL	G
1	50'Thru55'	3'-0"	23'-6"	4'-3"	7"	5 1/2"	1.660" x 140"	3 1/2" x .188"	2 1/2" x .188"	1.660" x 140"	1 1/4"
2	60'Thru80'	3'-0"	23'-6"	4'-3"	9 1/4"	7 7/16"	1.900" x 145"	4 3/4" x .188"	2 1/2" x .188"	1.660" x 140"	1 3/8"
3	85'Thru90'	4'-0"	24'-0"	5'-3"	9 1/4"	7 7/16"	1.900" x 145"	4 3/4" x .188"	3 1/2" x .188"	1.900" x 145"	1 3/8"
4	95'Thru105'	4'-0"	24'-0"	5'-3"	9 1/4"	7 7/16"	2" x .188"	4 3/4" x .188"	3 1/2" x .188"	1.900" x 145"	1 3/8"

BUREAU OF TRAFFIC
OHIO DEPARTMENT OF HIGHWAYS

OVERHEAD SIGN SUPPORTS

I-129
No.83

DATE
8-10-59
4-4-60
6-14-60
9-6-60
10-2-61
3-7-62

APPROVED *J. Musick*
ENGINEER OF TRAFFIC

300SQ.FT.SIGN AREA
OVERHEAD SIGN SUPPORT, I-129 NO.83