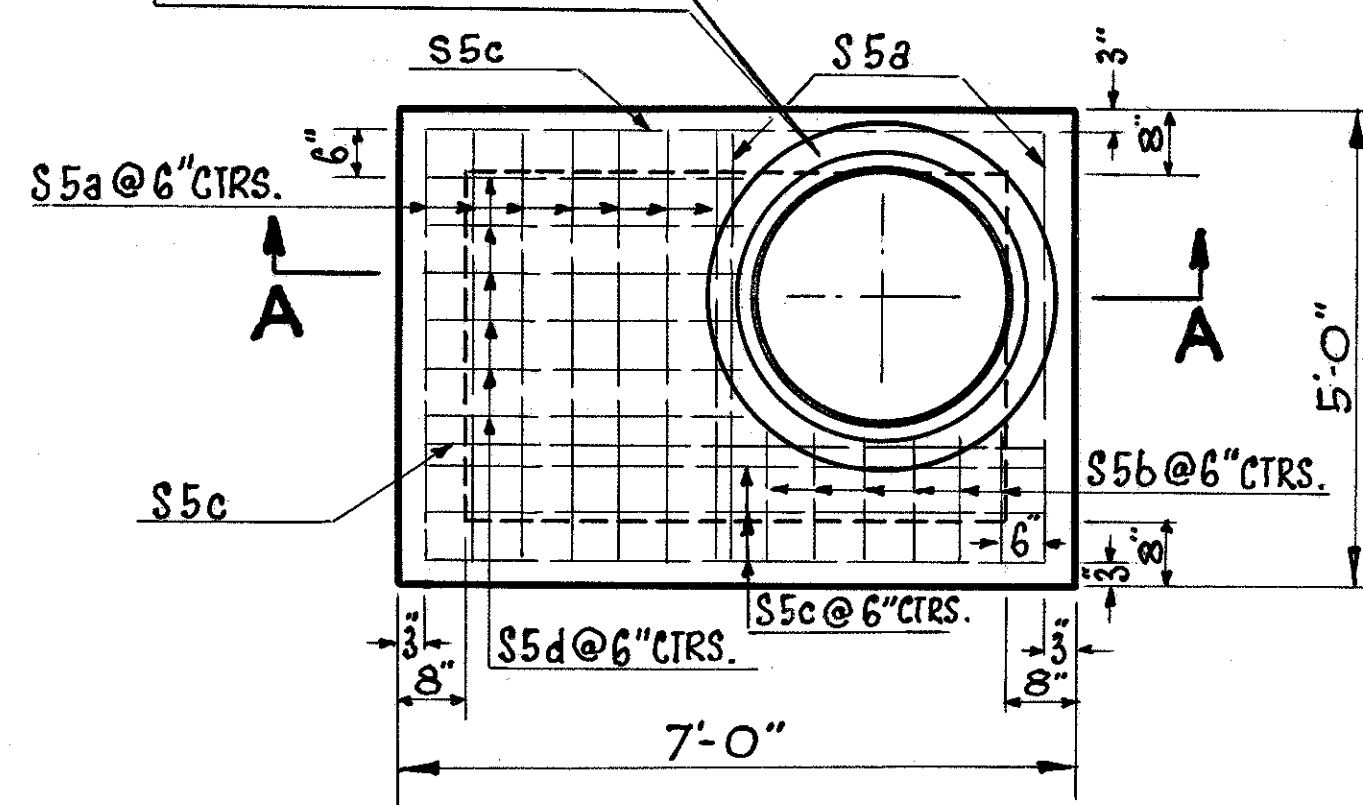


# ELECTRICAL MANHOLES

## TYPICAL DETAILS

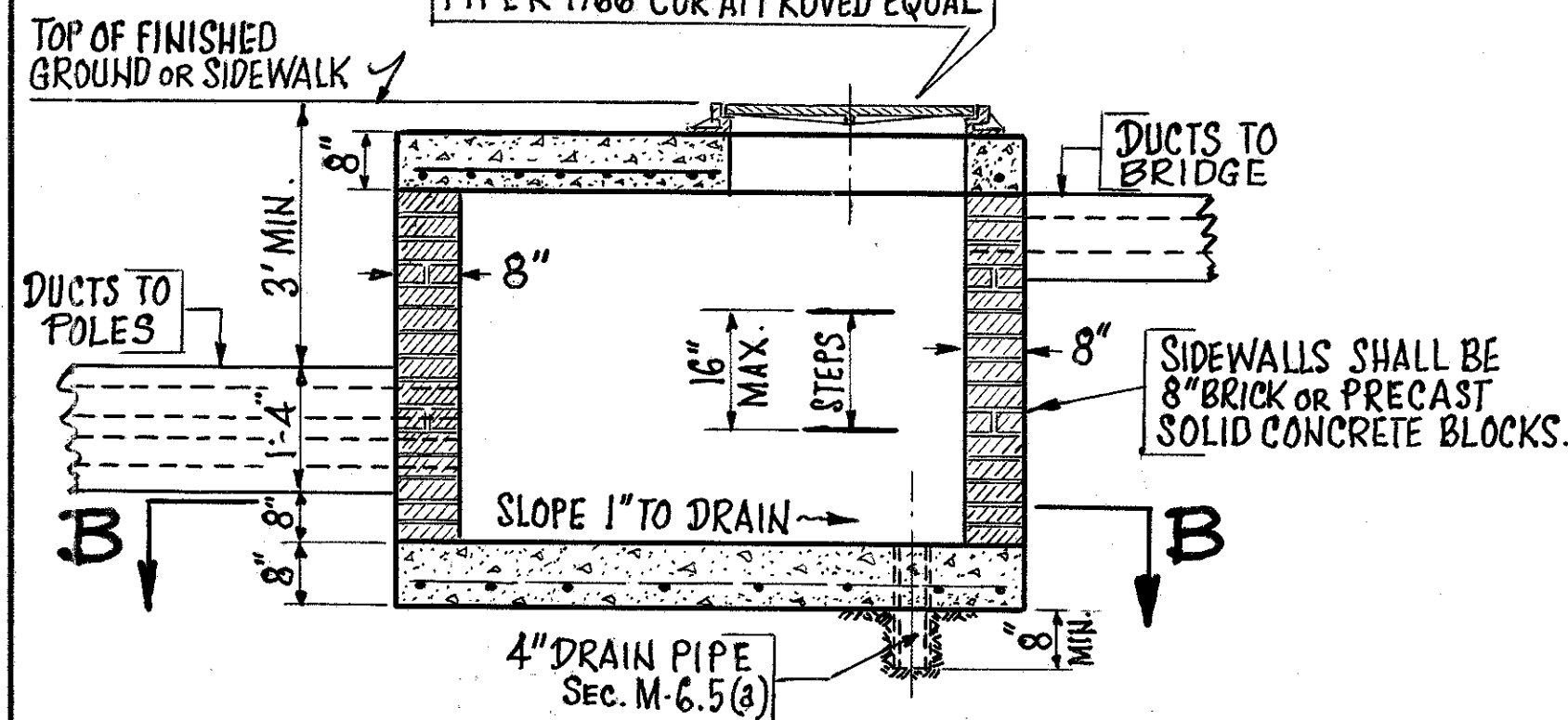
SCALE: 1/2" = 1'-0"

FOR LOCATION OF CASTING ON TOP SLAB, SEE PLAN ELECTRICAL MANHOLES.

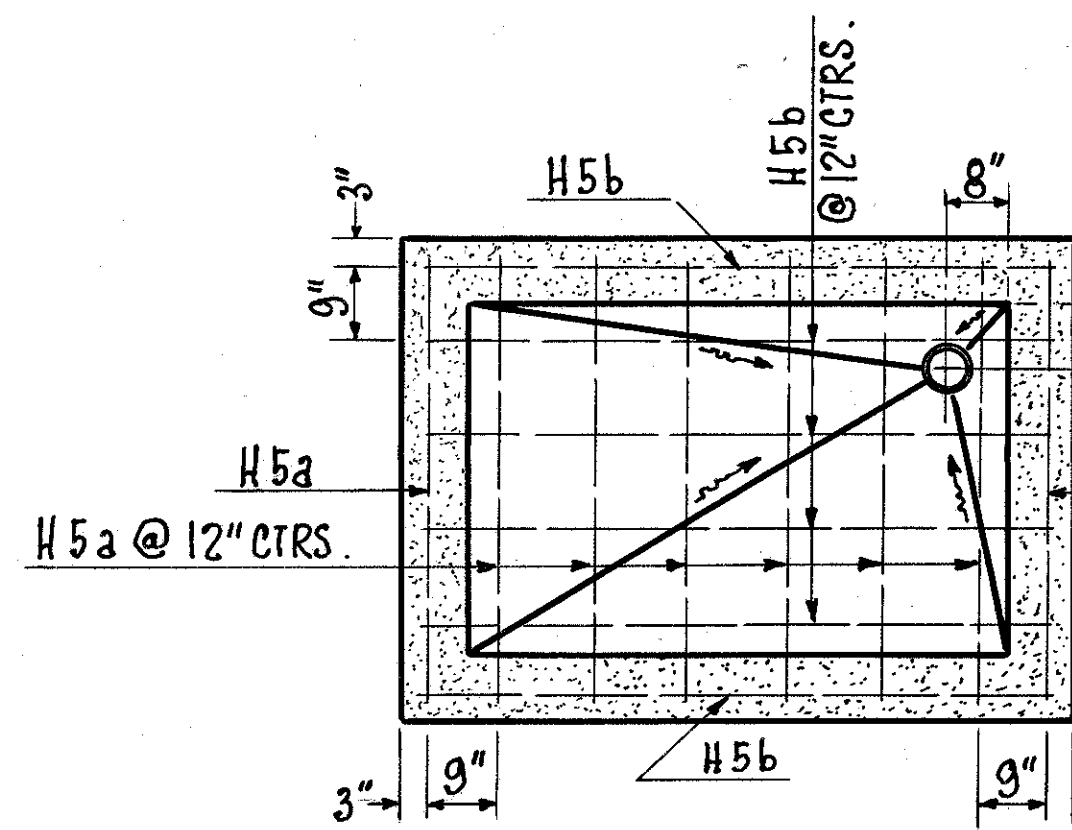


TOP VIEW

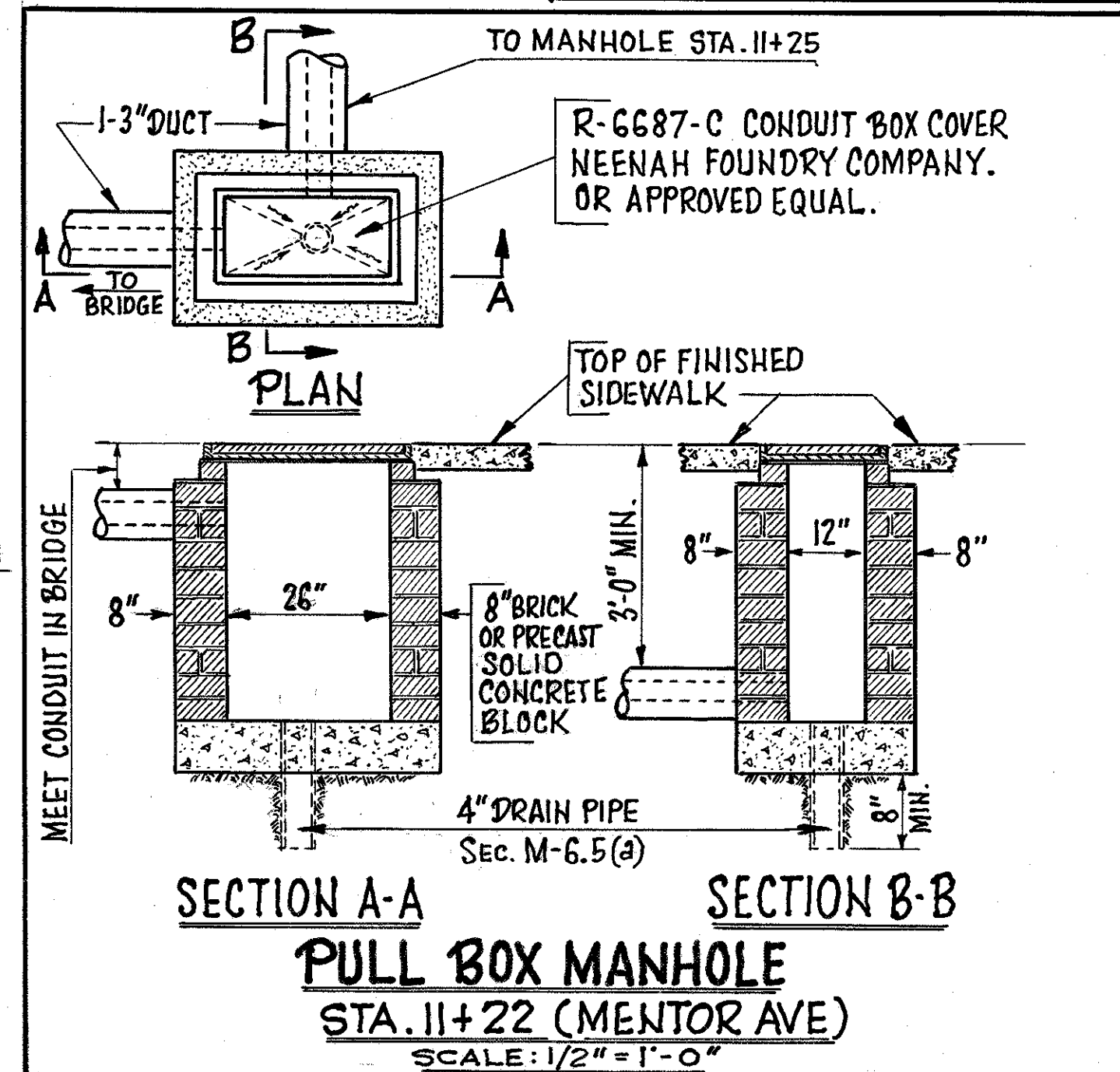
MANHOLE FRAME & COVER TO BE NEENAH FOUNDRY CO. TYPE R-1766-COR APPROVED EQUAL



SECTION A-A



SECTION B-B



SECTION A-A  
SECTION B-B  
PULL BOX MANHOLE  
STA. 11+22 (MENTOR AVE)  
SCALE: 1/2" = 1'-0"

**NOTE:** For Additional Manhole Details Not Shown, SEE STANDARD DRAWING I-8 MANHOLE NO 1.

**NOTE:** Ducts Passing through Sidewalls of Manholes Shall be as DIRECTED BY THE ENGINEER and Meet City of Painesville Light and Power Requirements.

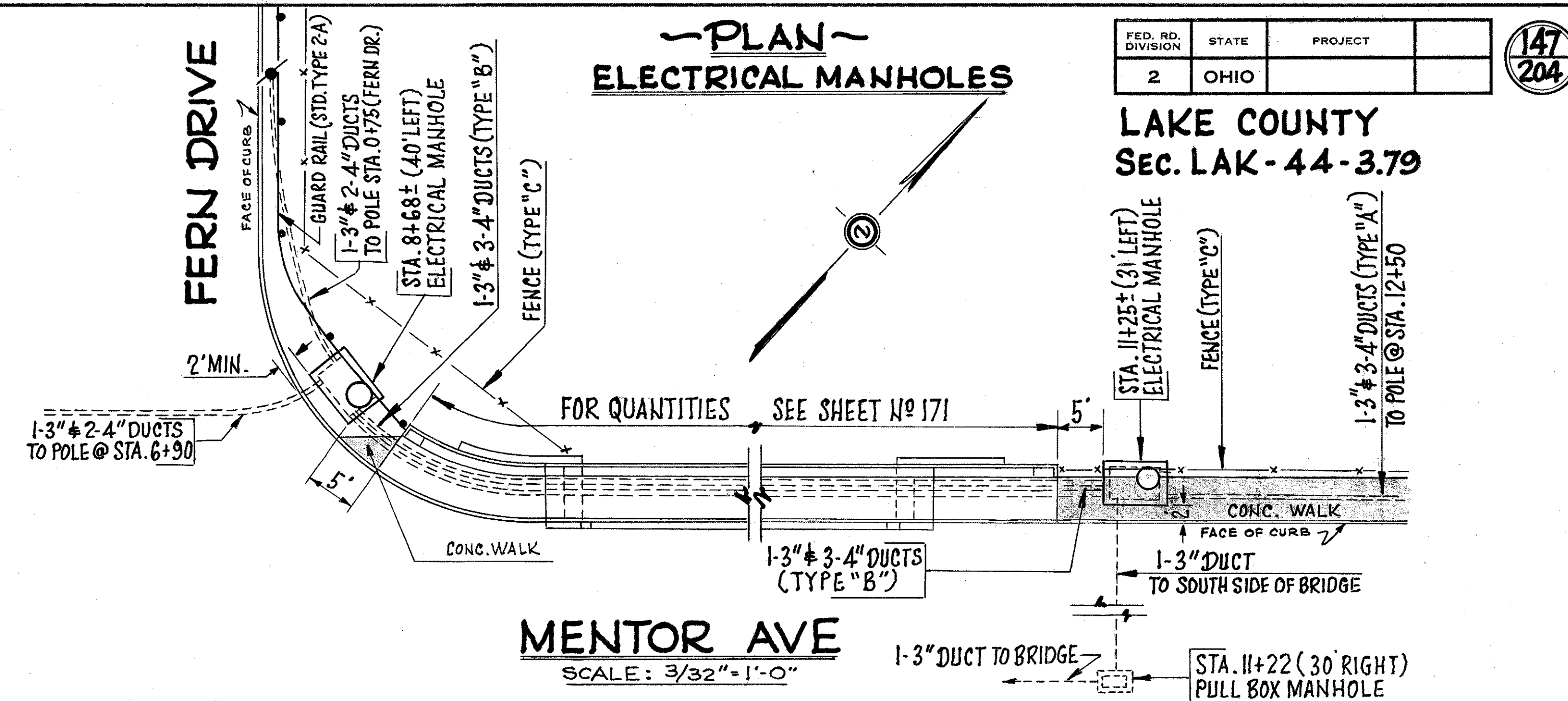
Cost of Furnishing and Placing 4" Drain Pipe and Reinforcing Steel To be Included in Item I-8 Manholes.

REINFORCING STEEL		
BAR	NO REQUIRED PER MANHOLE	LENGTH
S5a	9	4'-6"
S5b	6	1'-2"
S5c	8	6'-6"
S5d	6	3'-2"
H5a	8	4'-6"
H5b	6	8'-6"

ALL BARS SHALL BE 5/8" ROUND

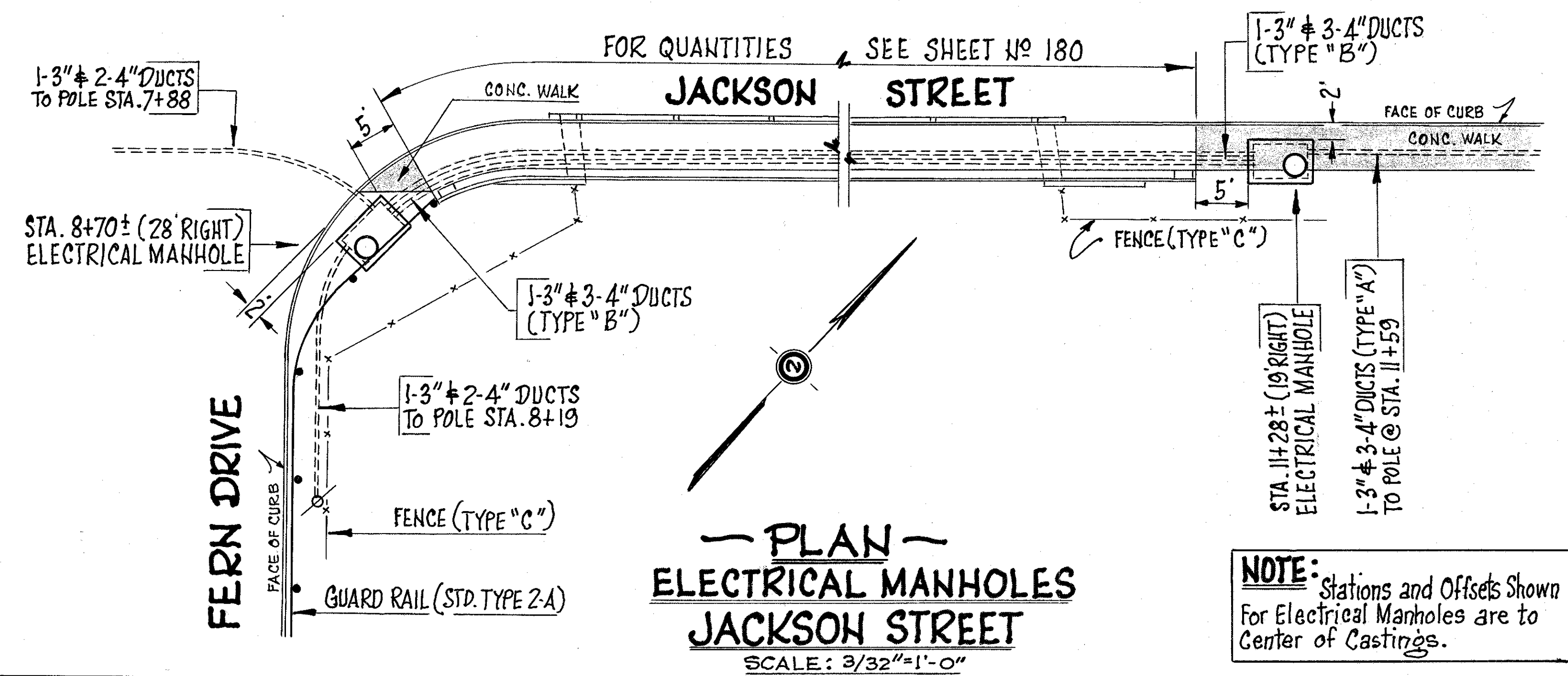
### NOTES:

BACKFILL OVER UNDERGROUND DUCTS TO BE SAND OR FINE EARTH, PLACED AND TAMPED IN LAYERS NOT EXCEEDING 4".  
UNDERGROUND DUCTS SHALL BE FIBER FEDERAL SPECIFICATION W-C 581 TYPE 1.  
CONNECTIONS FROM FIBER TO METALLIC CONDUITS SHALL BE MADE WITH PROPER ADAPTERS.  
SPACING BLOCKS SHALL BE MADE OF CONCRETE OR OTHER SUITABLE NON-METALLIC, NON-DECAYING MATERIAL.  
JOINTS IN MULTIPLE DUCT RUNS SHALL BE STAGGERED AT LEAST SIX (6) INCHES.  
UNDERGROUND DUCTS FOR FUTURE USE SHALL BE PLUGGED WITH CAPPED BUSHINGS TO COMPLETELY SEAL AND KEEP ALL MOISTURE AND FOREIGN MATTER OUT OF THE CONDUIT.



MENTOR AVE

SCALE: 3/32" = 1'-0"



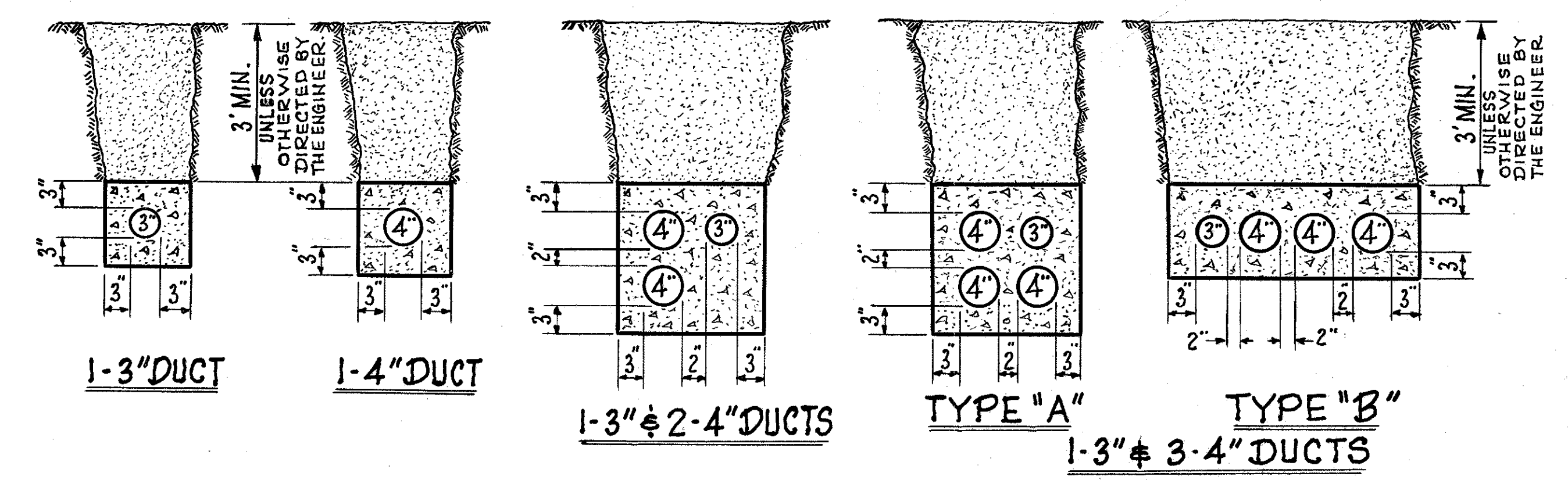
JACKSON STREET

SCALE: 3/32" = 1'-0"

FED. RD. DIVISION	STATE	PROJECT
2	OHIO	

LAKE COUNTY  
SEC. LAK-44-379

147  
204



TYPICAL DUCT SECTIONS

SCALE: 1" = 1'-0"