

NOTES

POSTS may be round (single rail only) or 6"x8" square-sawed pressure-treated wood or W6x8.5 galvanized steel. The same type post shall be used throughout the length of project unless otherwise required by the plans or permitted by the Engineer. Round posts shall be 8" plus or minus 1" in diameter at the top and not more than 11" at the butt with uniform taper from top to butt.

Posts may be set in drilled holes or may be driven to grade.

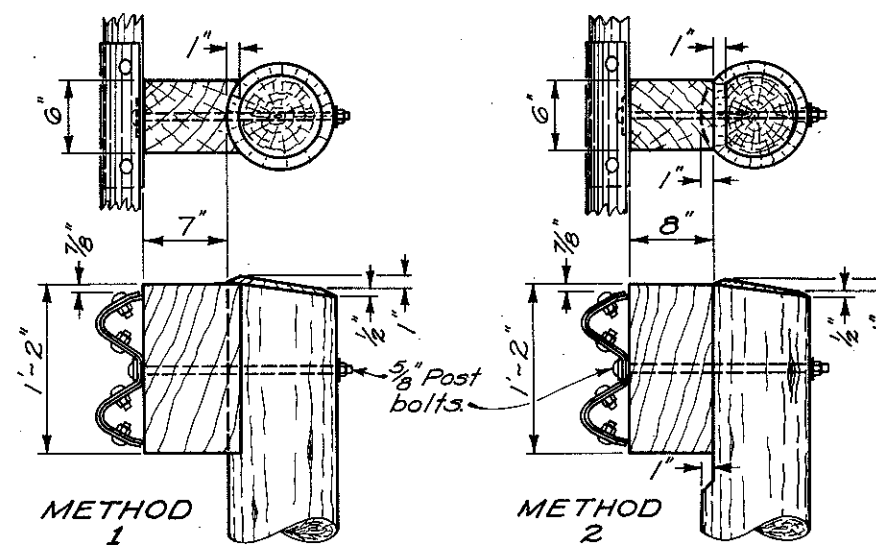
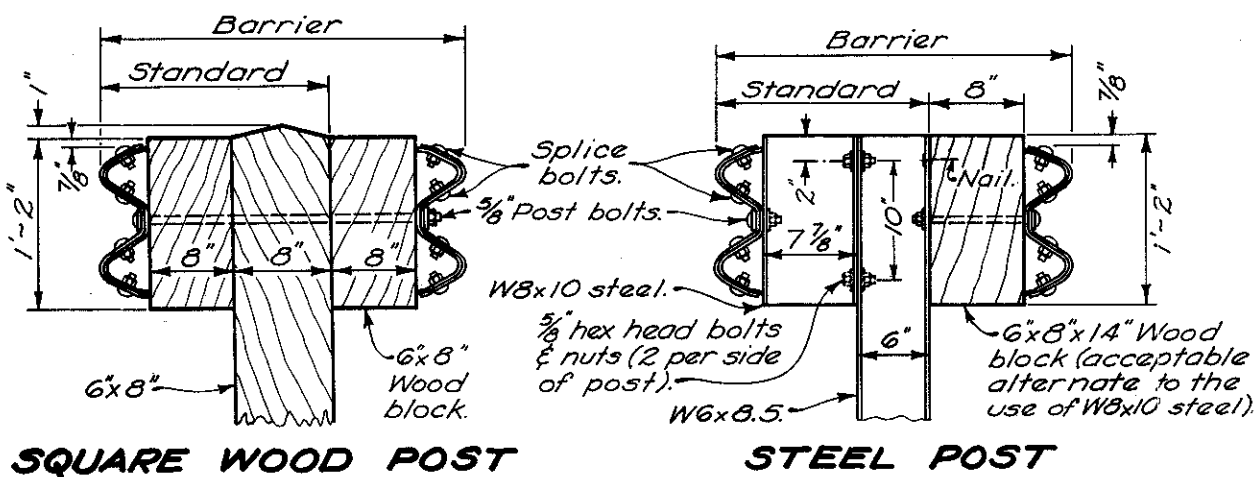
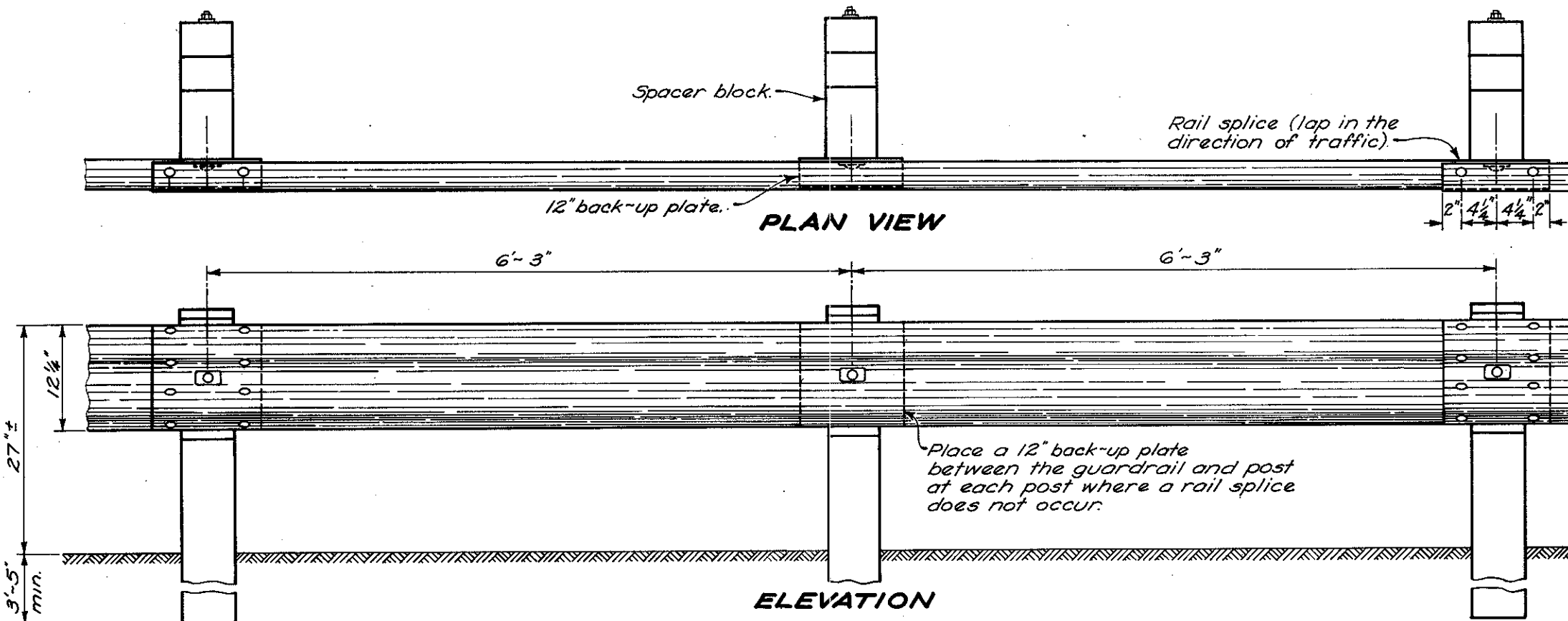
Wood posts shall be fabricated with square ends. Posts and spacer blocks shall be pressure-treated as per 710.14. Bolt holes shall be bored and tops of posts trimmed after posts are set. Posts set or driven to within 1/2" of grade need not be trimmed.

SPACER BLOCKS: When wood spacer blocks are used with the steel post, a roofing nail shall be driven through the hole in the adjacent flange to prevent blocks from turning.

WASHERS: Standard galvanized washers of appropriate size are required on post bolts where special washers are not indicated.

BARRICADE GUARDRAIL shall be mounted on Type 5 posts with 5/8" post bolts and washers as specified hereon. Omit spacer blocks and anchor assemblies. Place a flared end section at each end.

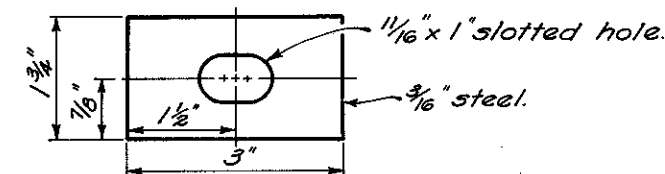
FOR DETAILS not shown see GR-1.



Alternate methods of placing the spacer blocks on the round posts may be submitted for consideration and approval by the Engineer.

ROUND WOOD POSTS

Place one rectangular washer between bolt head or nut and the face of rail. All other washers indicated above are standard.



POST BOLT WASHER

BUREAU OF LOCATION AND DESIGN OHIO DEPARTMENT OF TRANSPORTATION	
GUARDRAIL TYPE 5	
DATE 2-15-66 11-1-71 11-9-71 12-6-76	GR-2B
STANDARD CONSTRUCTION DRAWING	
APPROVED <i>[Signature]</i> ENGR., L.&D.	