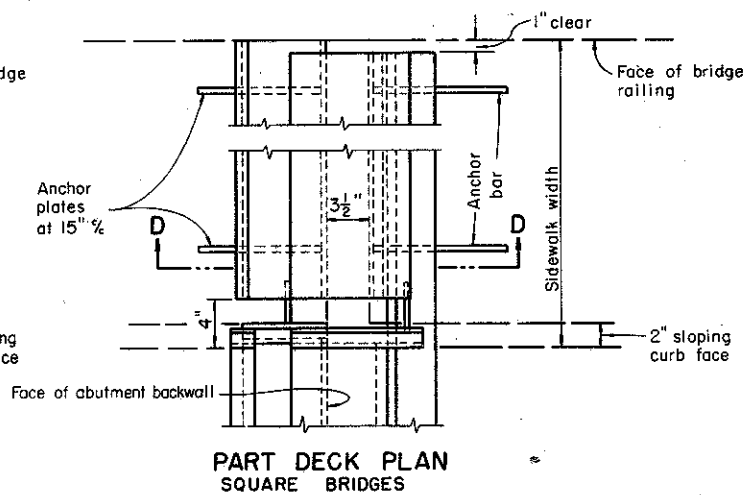
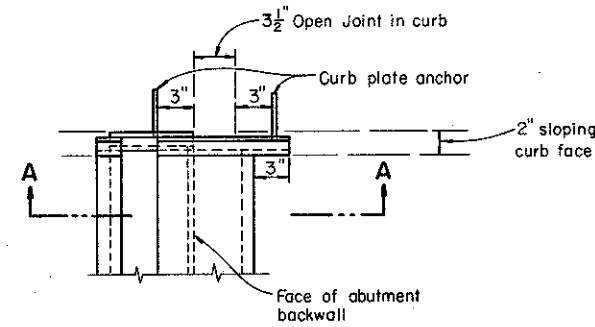


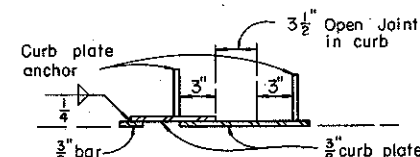
**PART DECK PLAN
SKEWED BRIDGES**



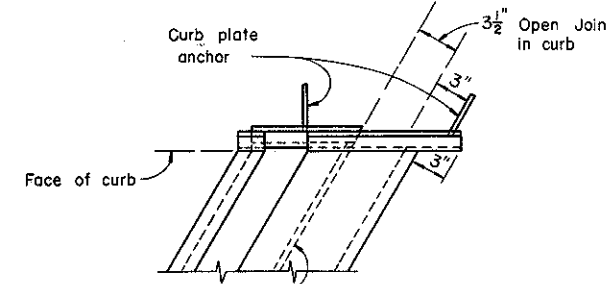
**PART DECK PLAN
SQUARE BRIDGES**



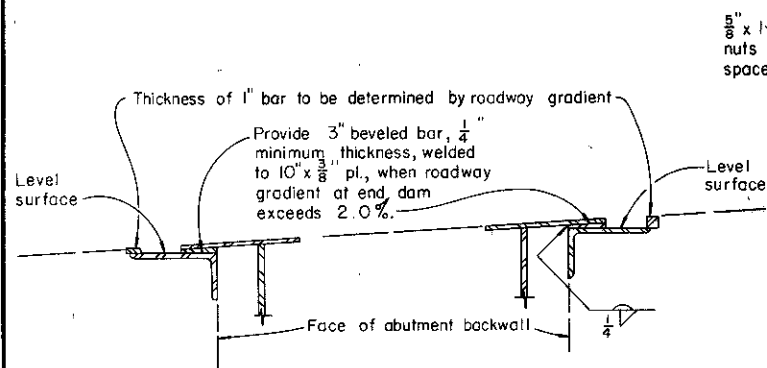
**PART DECK PLAN
SQUARE BRIDGES**



SECTION C-C



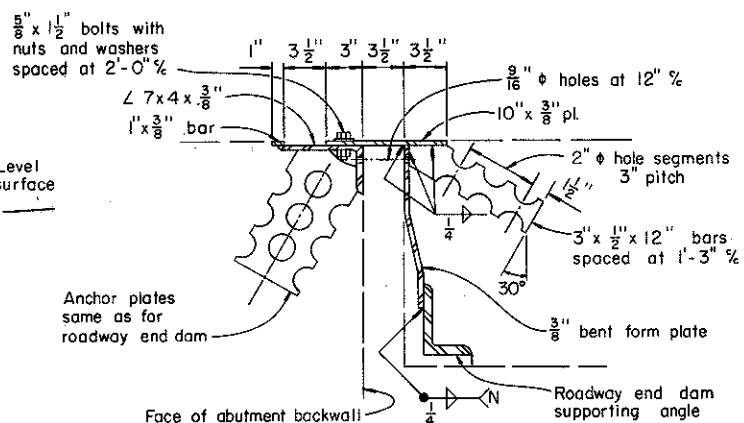
**PART DECK PLAN
SKEWED BRIDGES**



**SIDEWALK END DAMS
FOR BRIDGE ON GRADE**

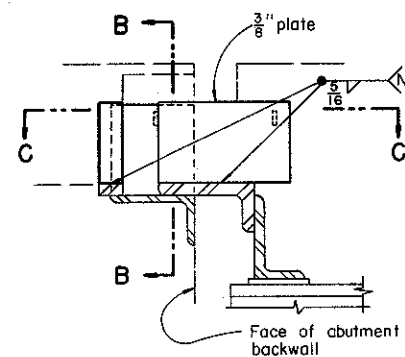
For additional details see Section D-D

SIDEWALK END DAM DETAILS

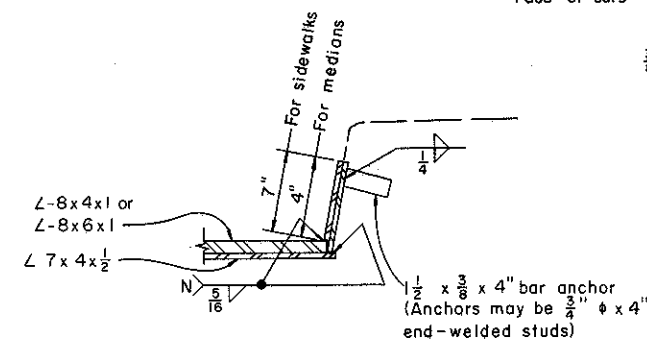


SECTION D-D

For additional notes and details see Section A-A on Sheet No. 1

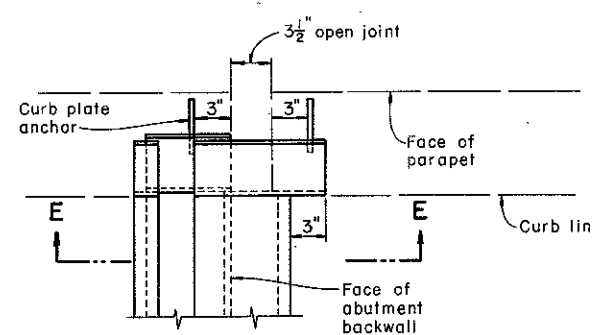


SECTION A-A

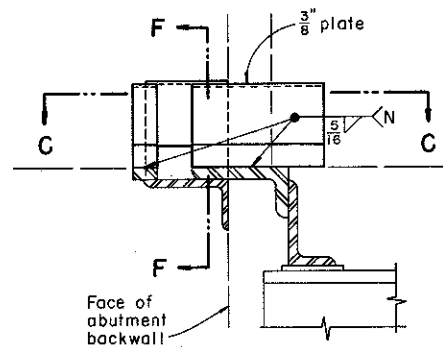


SECTION B-B

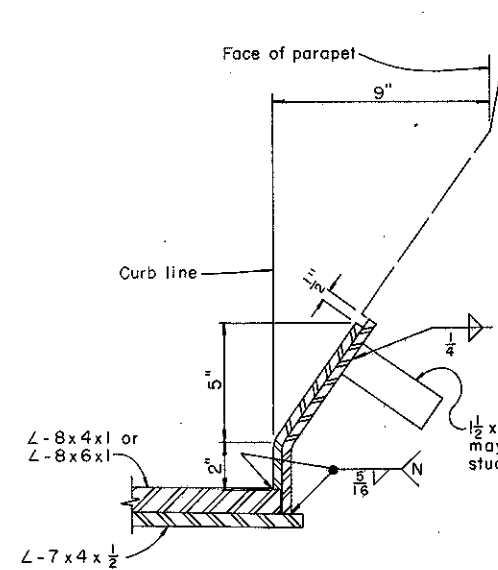
**CURB PLATE DETAILS
SIDEWALKS, SAFETY CURBS
AND RAISED MEDIANS**



**PART DECK PLAN
SQUARE BRIDGES**

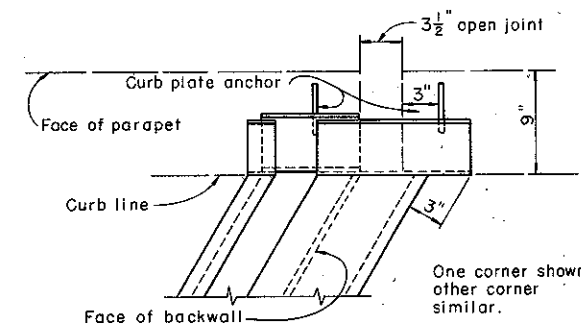


SECTION E-E



SECTION F-F

**CURB PLATE DETAILS
ROADWAY PARAPET
RAILINGS AND BARRIER MEDIANS**



**PART DECK PLAN
SKEWED BRIDGES**

WELDS on non-stress-carrying members are shown thus:

STATE OF OHIO DEPARTMENT OF HIGHWAYS DIVISION OF DESIGN AND CONSTRUCTION BUREAU OF BRIDGES				
STANDARD SUPERSTRUCTURE DETAILS FOR STEEL BEAM AND GIRDER BRIDGES				
APPROVED:	<i>C. A. Albrecht</i> ENGINEER OF BRIDGES			DRAWING NUMBER SD-1-69
DATE: 6-12-69	PREPARED FFE JFS	TRACED NRB	CHECKED MPB CDR	REVIEWED CDB RVH BFG
SHEET NO. 2 OF 4 SHEETS				