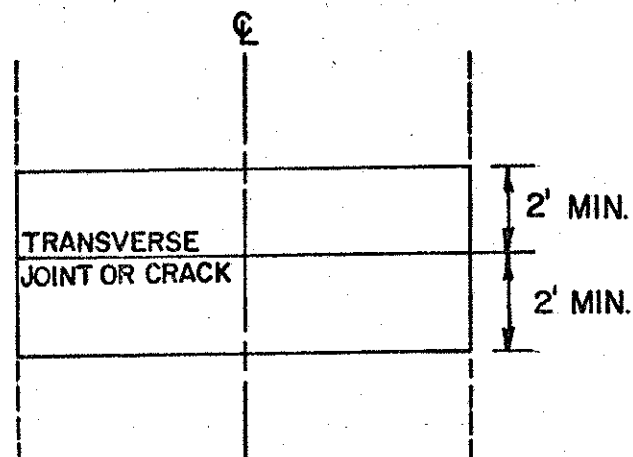
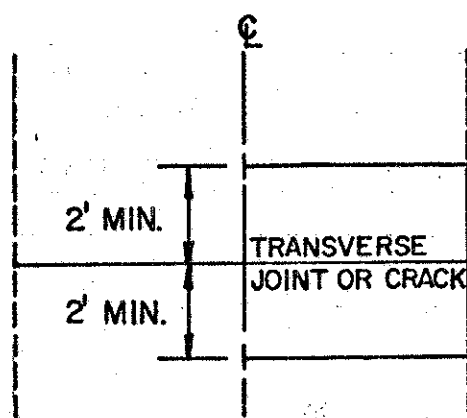


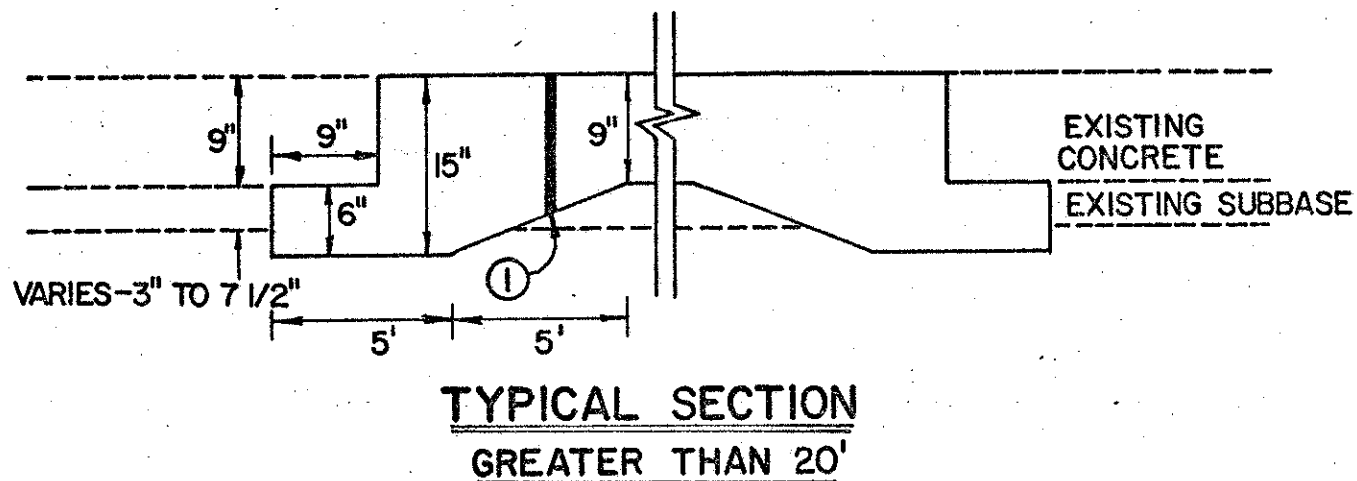
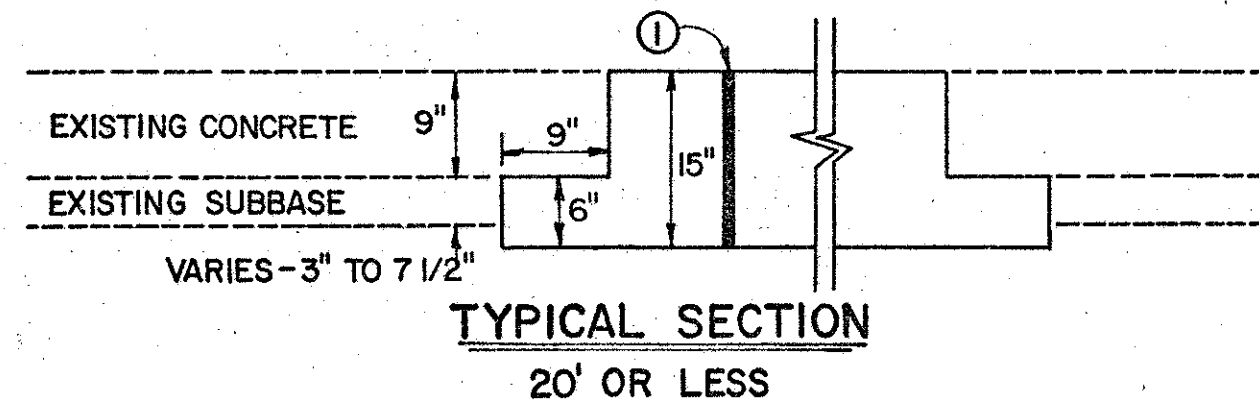
# FULL DEPTH PAVEMENT REPAIR DETAILS

PLAN NO.

## PLAN VIEW



## LONGITUDINAL SECTIONS



## LEGEND

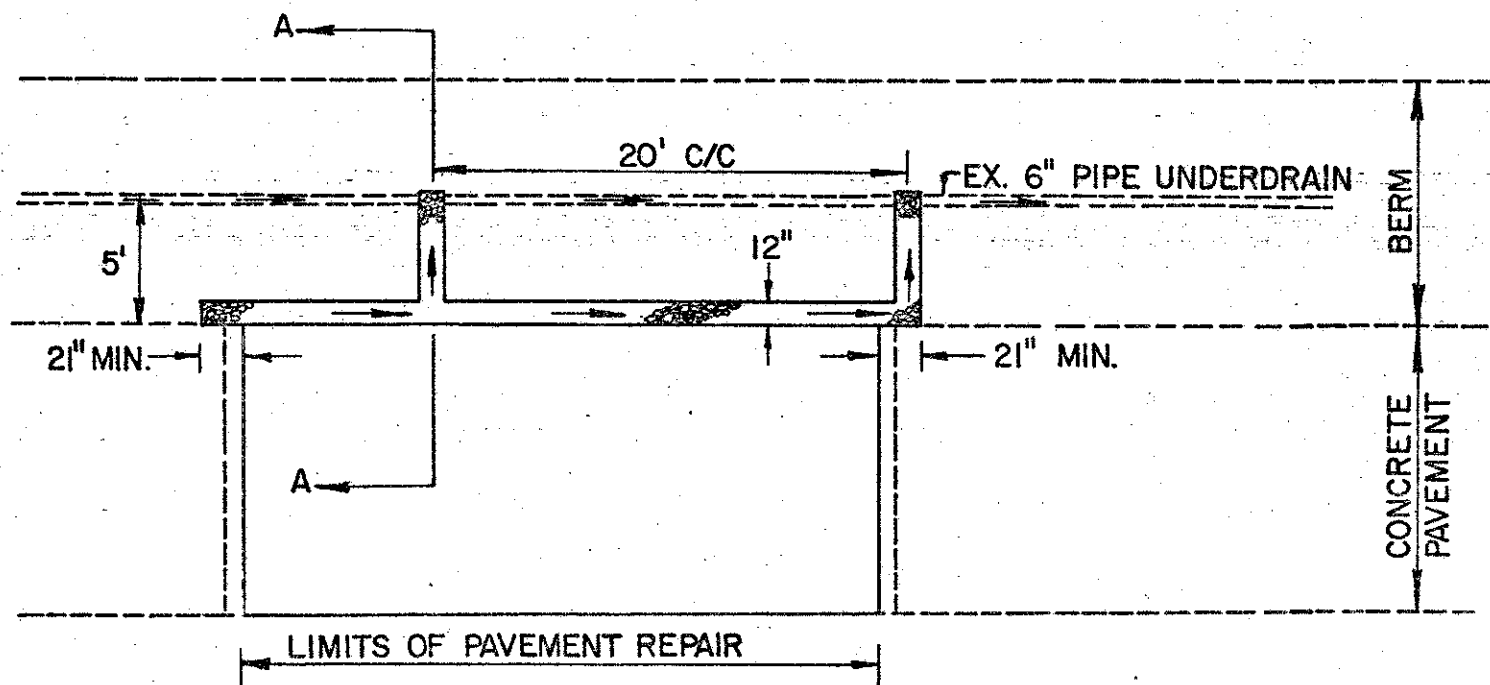
ITEM	DESCRIPTION
①	305.....PORTLAND CEMENT CONCRETE BASE
②	301..... BITUMINOUS AGGREGATE BASE
③	605.....AGGREGATE DRAINS, AS PER PLAN

For pavement repair quantities  
see sheet No. 9

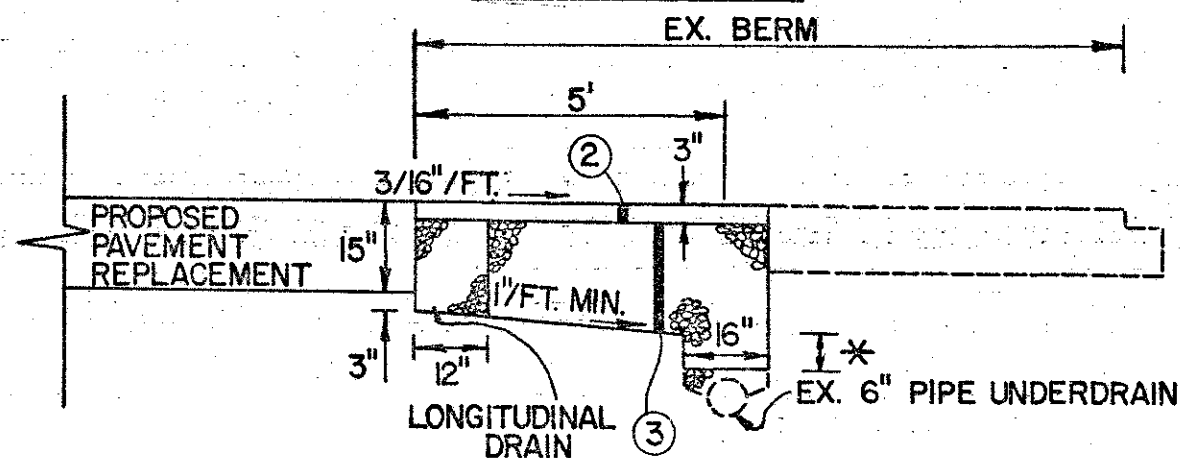
For aggregate drain quantities  
see sheet No. 10

## TYPICAL AGGREGATE DRAINS, AS PER PLAN

## PLAN VIEW



## SECTION A-A



\* VARIABLE, BACKFILL MATERIAL IN THE TRENCH SHALL BE REPLACED DOWN TO EXISTING WELL DRAINED PEA GRAVEL OR TOP OF UNDERDRAIN PIPE.