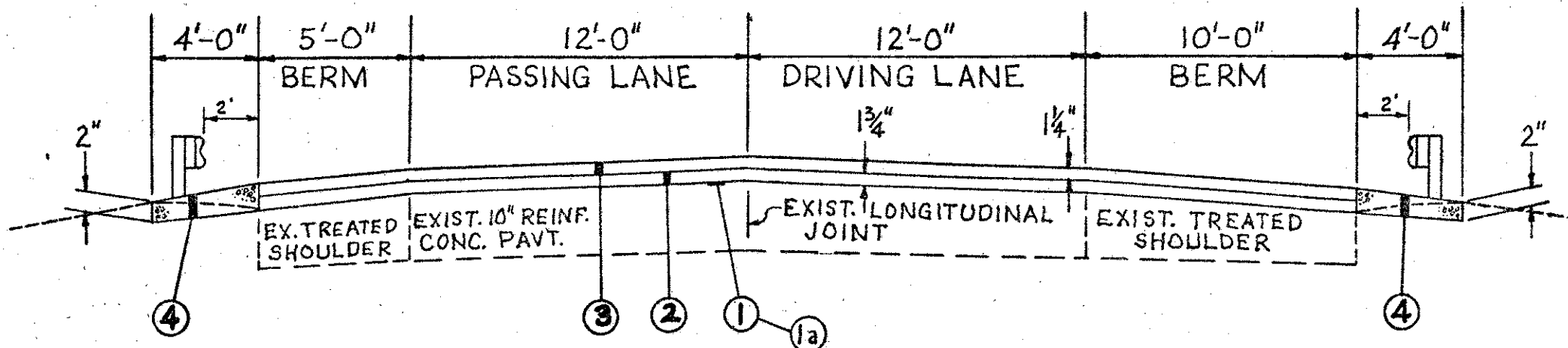
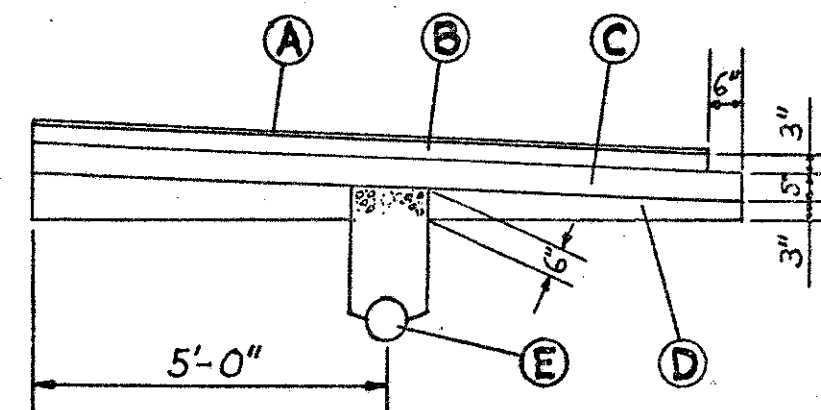


# TYPICAL SECTIONS

## TYPE 404



HALF TYPICAL SECTION

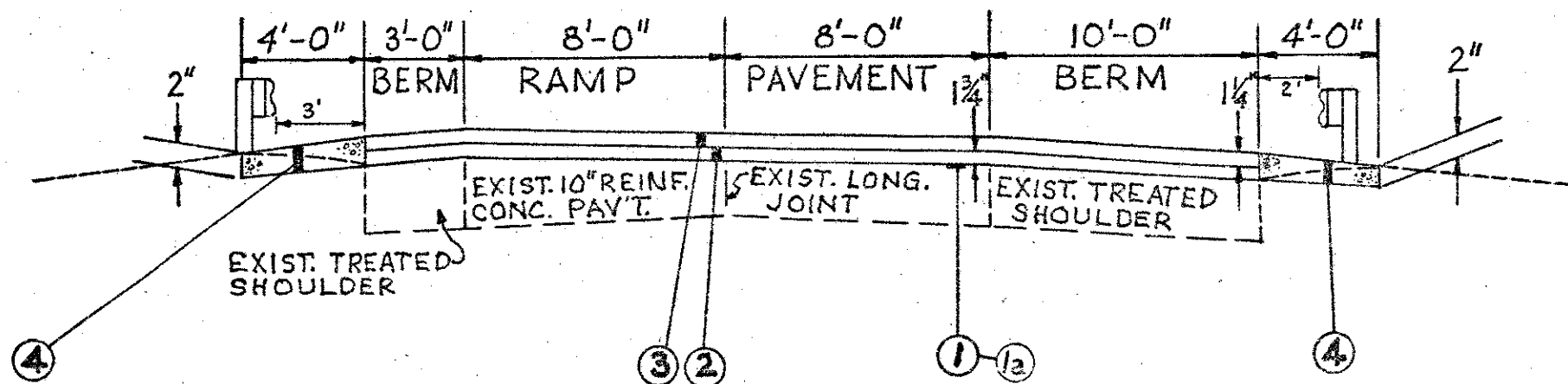


TYPICAL EXISTING BERM AT OUTER LANE SHOULDER

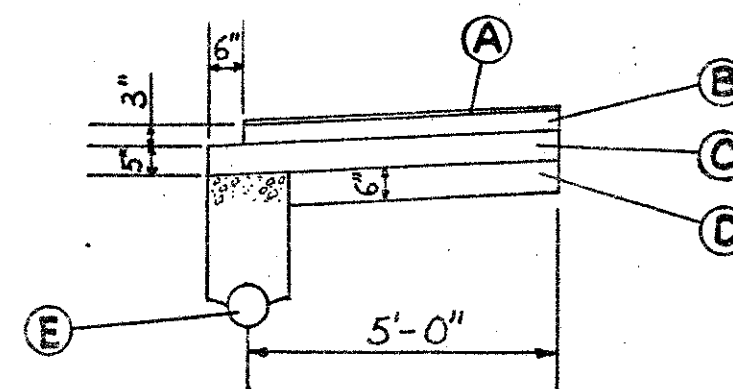
- ① ITEM 407-TACK COAT: 702.04, SS-1, SS-1h, MS-2 or RS-1; or 702.02, RC-250, applied at the rate of 0.10 gal. per sq. yd.
- ①a ITEM 407- COVER AGGREGATE
- ② ITEM 402- ASPHALT CONCRETE, AC-20
- ③ ITEM 404- ASPHALT CONCRETE, AC-20
- ④ ITEM 617- COMPACTED AGGREGATE, As per plan

- Ⓐ . . . . . BITUMINOUS SURFACE TREATMENT
- Ⓑ . . . . . WATERPROOFED AGGREGATE BASE
- Ⓒ . . . . . STABILIZED CRUSHED AGGR. SHOULDERS
- Ⓓ . . . . . SUBBASE
- Ⓔ . . . . . 6" UNDERDRAINS

**NOTE:**  
FOR GUARDRAIL LOCATIONS SEE SHEET No. 22 & 23



RAMP TYPICAL SECTION



TYPICAL EXISTING BERM AT MEDIAN SHOULDER\*

\* UNDERDRAIN IN MEDIAN SHOULDER ONLY WHEN A SUPERELEVATED SECTION SLOPES TOWARDS MEDIAN.