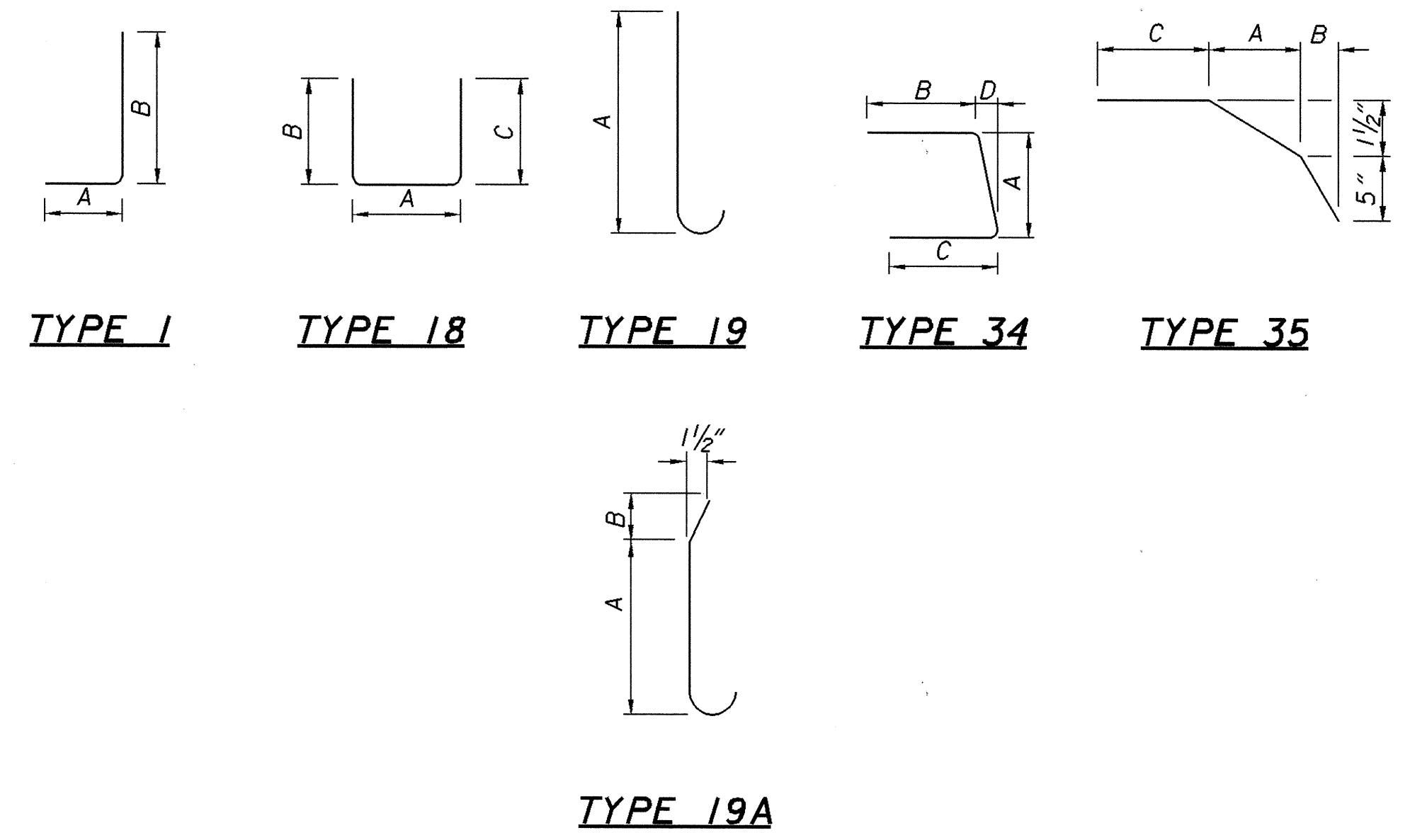


REINFORCEMENT SCHEDULE

| MARK | NUMBER | LENGTH | WEIGHT (LBS) | TYPE | DIMENSIONS | | | | | | |
|---------------------------|--------|-----------|-----------------|------|------------|-------|--------|-----------|---|---|-----------|
| | | | | | A | B | C | D | E | R | INC. |
| RAILING | | | | | | | | | | | |
| SE501 | 282 | 4'-5" | 1299.0 | 19A | 3'-3" | 7" | | | | | |
| SE502 | 282 | 1'-2" | 343.1 | STR. | | | | | | | |
| SE503 | 21 | 30'-0" | 657.1 | STR. | | | | | | | |
| SE504 | 8 | 3'-10" | 32.0 | 19 | 3'-3" | | | | | | |
| SE505 | 8 | 4'-1" | 34.1 | 1 | 1'-0" | 3'-2" | | | | | |
| SE506 | 6 | 3'-4" | 20.8 | 34 | 1'-4 1/2" | 1'-1" | 1'-1" | 0'-3 1/4" | | | |
| SE507 | 6 | 2'-5 1/2" | 15.4 | 1 | 1'-0" | 1'-7" | | | | | |
| SE508 | 3 | 29'-0" | 90.7 | STR. | | | | | | | |
| SE601 | 7 | 30'-0" | 315.4 | STR. | | | | | | | |
| SE602 | 1 | 28'-4" | 42.6 | STR. | | | | | | | |
| SUB TOTAL | | | 2850.2 | | | | | | | | |
| TRANSITION BARRIER | | | | | | | | | | | |
| AE501 | 2 | 3'-1" | | | 2'-5" | | | | | | |
| | S.O. | TO | 65.7 | 19 | TO | | | | | | 0'-1 1/4" |
| | 9 | 3'-11" | | | 3' 3" | | | | | | |
| AE502 | 18 | 3'-1" | 57.9 | 1 | 1'-0" | 2'-2" | | | | | |
| AE503 | 18 | 3'-11" | 73.5 | 34 | 1'-11" | 1'-1" | 1'-1" | 0'-3 1/4" | | | |
| AE504 | 2 | 3'-3" | | | 1'-0" | 2'-4" | | | | | |
| | S.O. | TO | 68.8 | 1 | TO | TO | | | | | 0'-1 1/4" |
| | 9 | 4'-1" | | | 1'-0" | 3'-2" | | | | | |
| AE505 | 6 | 7'-3" | 45.4 | 18 | 0'-10" | 3'-4" | 3'-4" | | | | |
| AE506 | 4 | 6'-10" | 28.5 | 18 | 0'-5 1/4" | 3'-4" | 3'-4" | | | | |
| AE507 | 16 | 8'-4" | 139.0 | STR. | | | | | | | |
| AE508 | 6 | 6'-9" | 42.2 | 35 | 2'-6" | 1'-4" | 2'-11" | | | | |
| AE509 | 10 | 6'-9" | 70.4 | STR. | | | | | | | |
| SUB TOTAL | | | 591.4 | | | | | | | | |
| APPROACH SLAB | | | | | | | | | | | |
| A501 | 12 | 12'-5" | 155.4 | STR. | | | | | | | |
| A502 | 54 | 6'-6" | 366.1 | STR. | | | | | | | |
| A1001 | 20 | 13'-10" | 1190.5 | 19 | 12'-5" | | | | | | |
| SUB TOTAL | | | 1712.0 | | | | | | | | |
| TOTAL | | | 5153.7 | | | | | | | | |



NOTES:

THE BAR SIZE NUMBER IS SPECIFIED ON THE PLANS IN THE BAR MARK COLUMN. THE FIRST DIGIT WHERE THREE ARE USED, AND THE FIRST TWO DIGITS WHERE FOUR ARE USED INDICATE THE BAR SIZE NUMBER. FOR EXAMPLE, P601 IS A #6 BAR. BAR DIMENSIONS SHOWN ARE OUT TO OUT UNLESS OTHERWISE INDICATED.

STD. WRITTEN IN PLACE OF A DIMENSION INDICATES A STANDARD BEND AT THE END OF THE BAR.

STR. IN THE BAR TYPE COLUMN INDICATES A STRAIGHT BAR.

R INDICATES INSIDE RADIUS, UNLESS OTHERWISE NOTED.

INC INDICATES THE LENGTH INCREMENT FOR SERIES BARS.

ALL REINFORCING STEEL TO BE EPOXY COATED.

| | |
|---|----------------------------------|
| DESIGN AGENCY BURGESS & NIPLE 100 WEST ERIE STREET PAINESVILLE, OHIO 44077 | |
| REVIEWED YSS | DATE 3-1-01 |
| DRAWN MKB | STRUCTURE FILE NUMBER 4302702 |
| DESIGNED MKB | CHECKED SCT |
| REINFORCEMENT SCHEDULE BRIDGE NO. LAK-44-0510 JACKSON STREET OVER STATE ROUTE 44 | |
| LAKE COUNTY LAK-2/44-13-05/4.14 | |
| 8 | 8 |
| 85H 93 | |