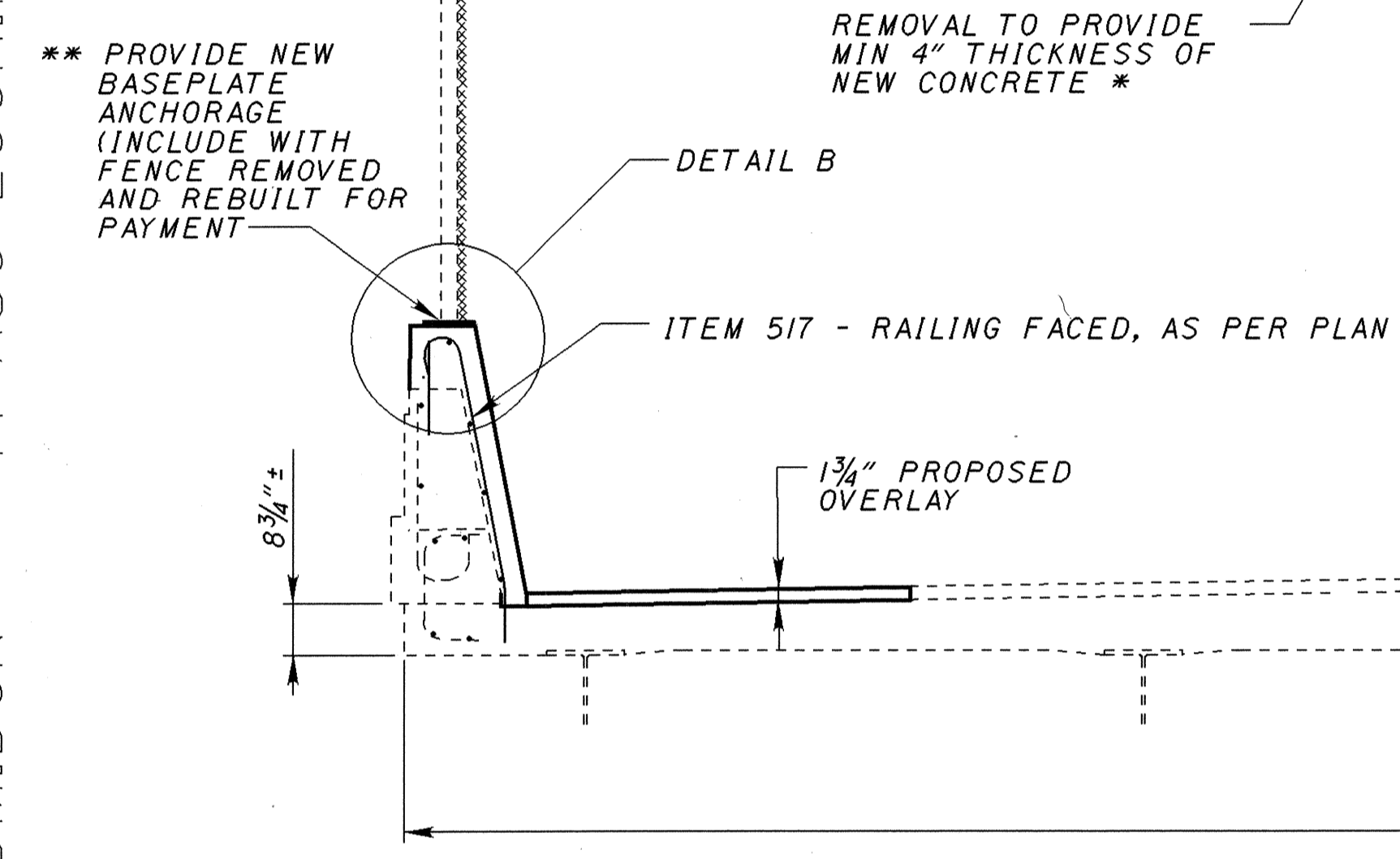
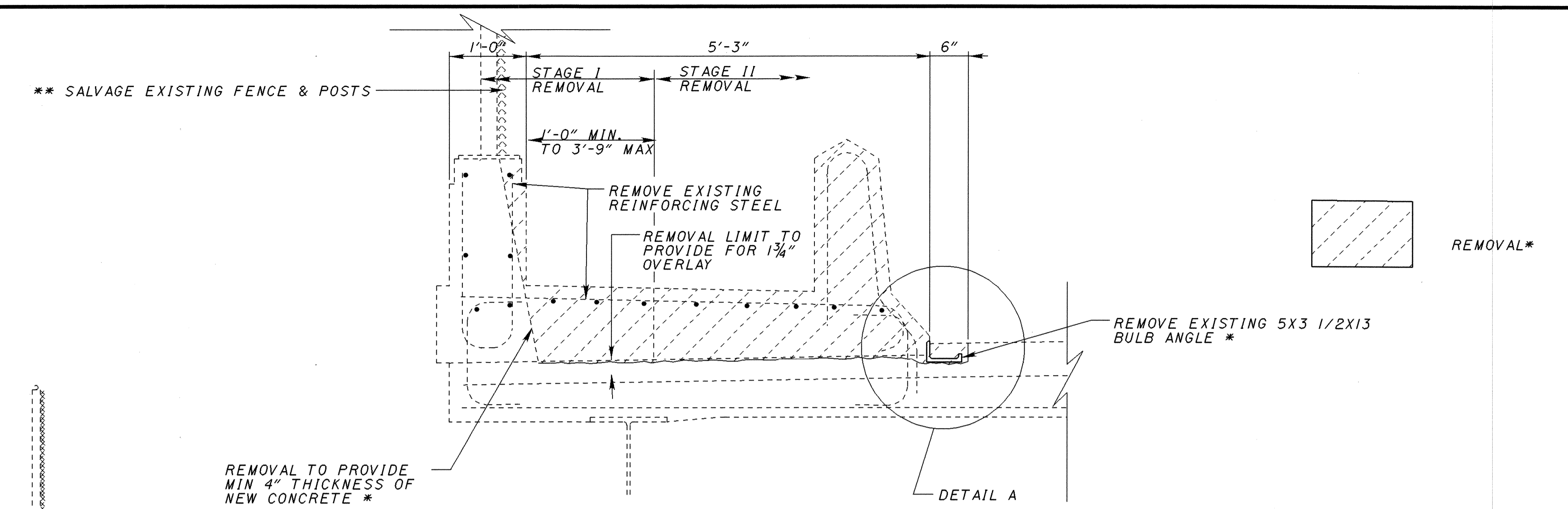
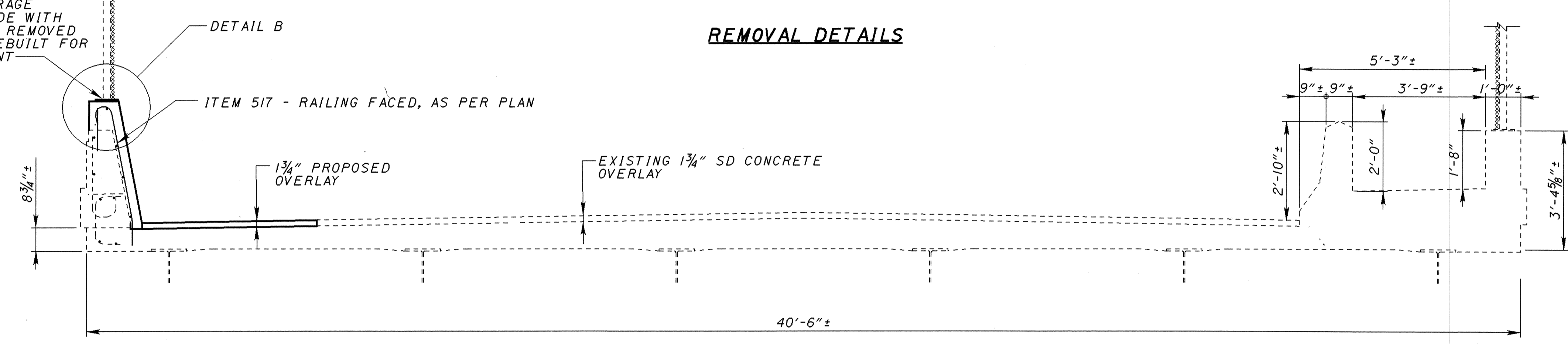


\$FILE\$ \$DATE\$ PROJECTS\PI\8391\B&N\PLANS\18391SDM.DGN 14-AUG-2001 11:15PM fkonopka

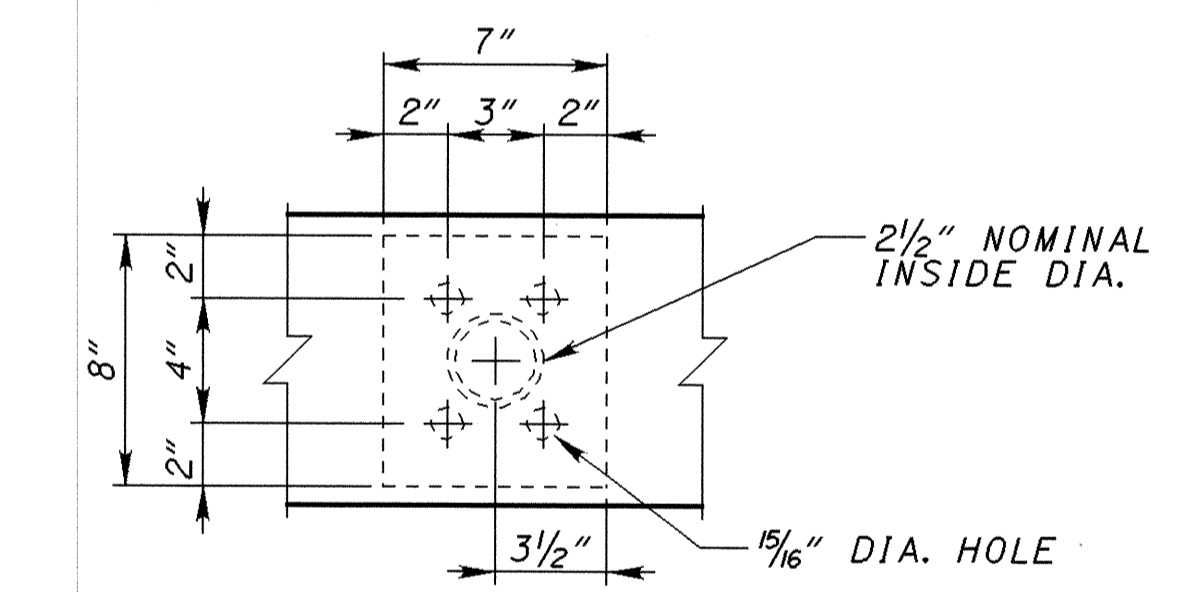


**REMOVAL DETAILS**

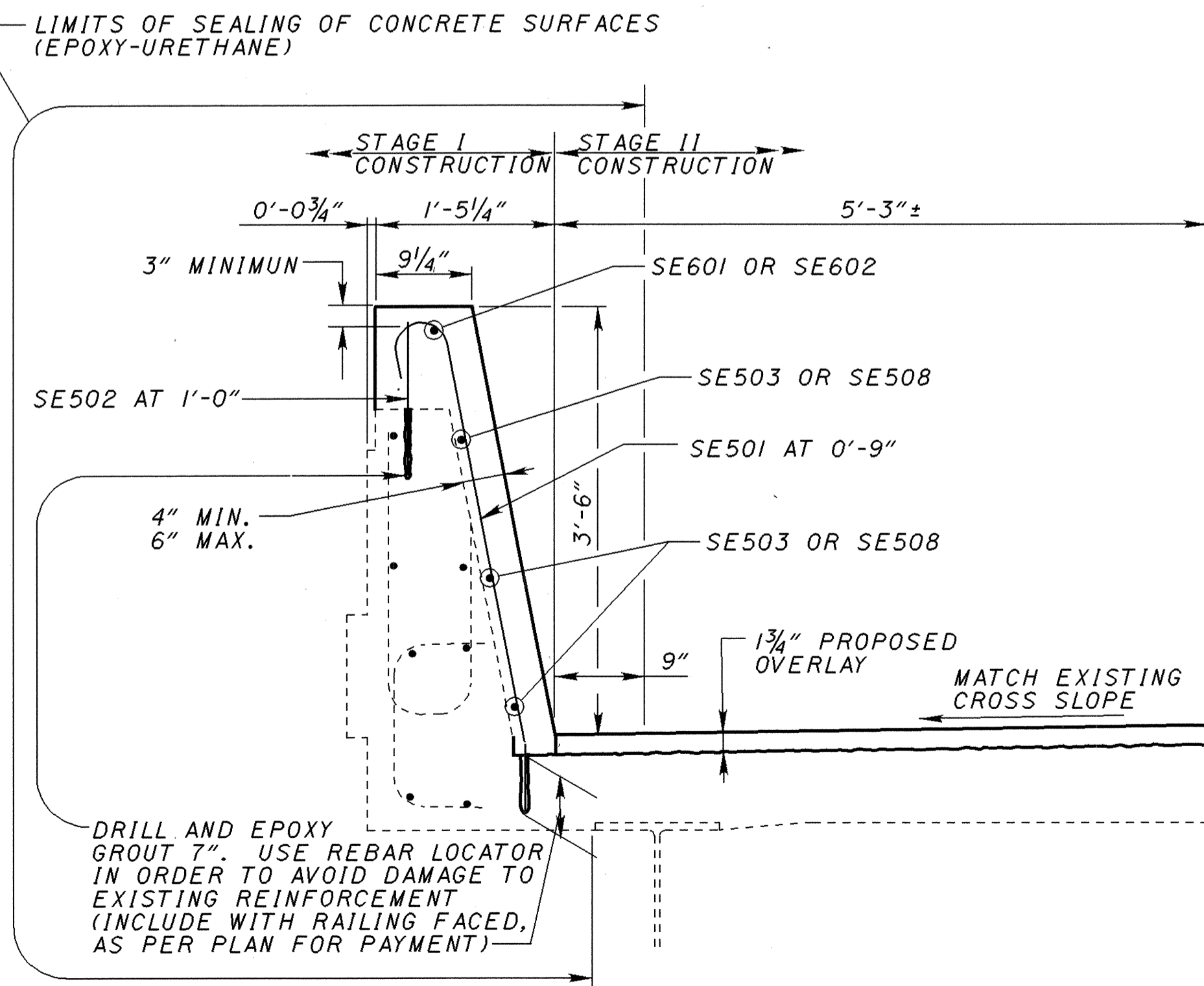
**NOTES:**  
 EXACT EXISTING REBAR LOCATIONS NOT KNOWN  
 ALL REINFORCING STEEL SHALL BE SPACED AS SHOWN. VERTICAL STEEL SHALL MISS SHRINKAGE CONTROL JOINTS BY 3" MIN.  
 ALL LONGITUDINAL STEEL SHALL BE CONTINUOUS WITH MINIMUM LAP SPLICES 2'-0"  
 CONCRETE COVER SHALL BE 2" TYPICAL  
 REINFORCING STEEL - ASTM A615, A616, OR A617, GRADE 60. Fy = 60 KSI. Fs = 24 KSI  
 FOR ADDITIONAL NOTES AND INFORMATION, SEE SBR-1-98 AND THE STRUCTURE NOTES.  
 \* INCLUDE WITH ITEM 202 - PORTIONS OF STRUCTURE REMOVED, AS PER PLAN



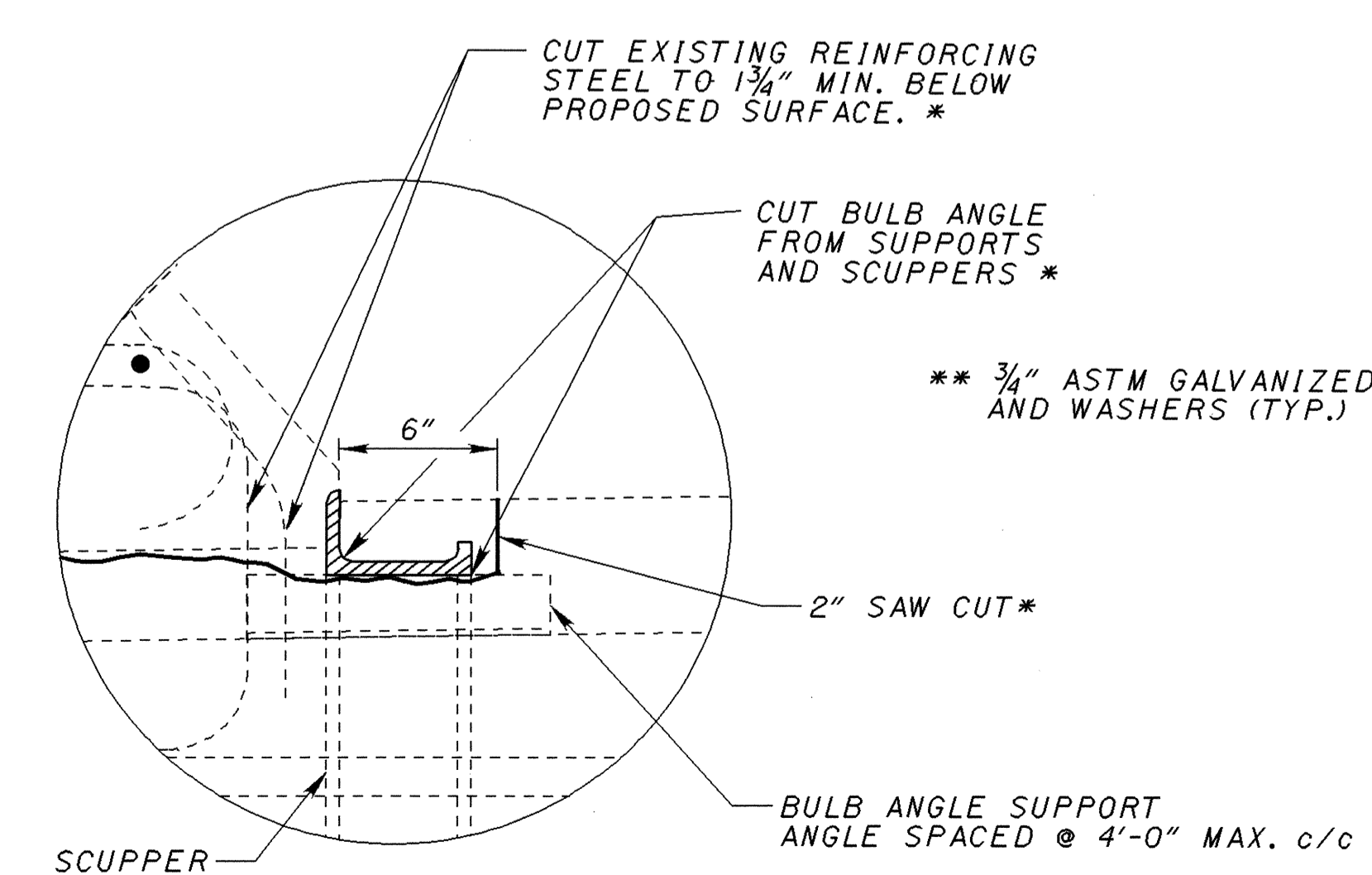
**PROPOSED TRANSVERSE SECTION  
 FACING EAST**



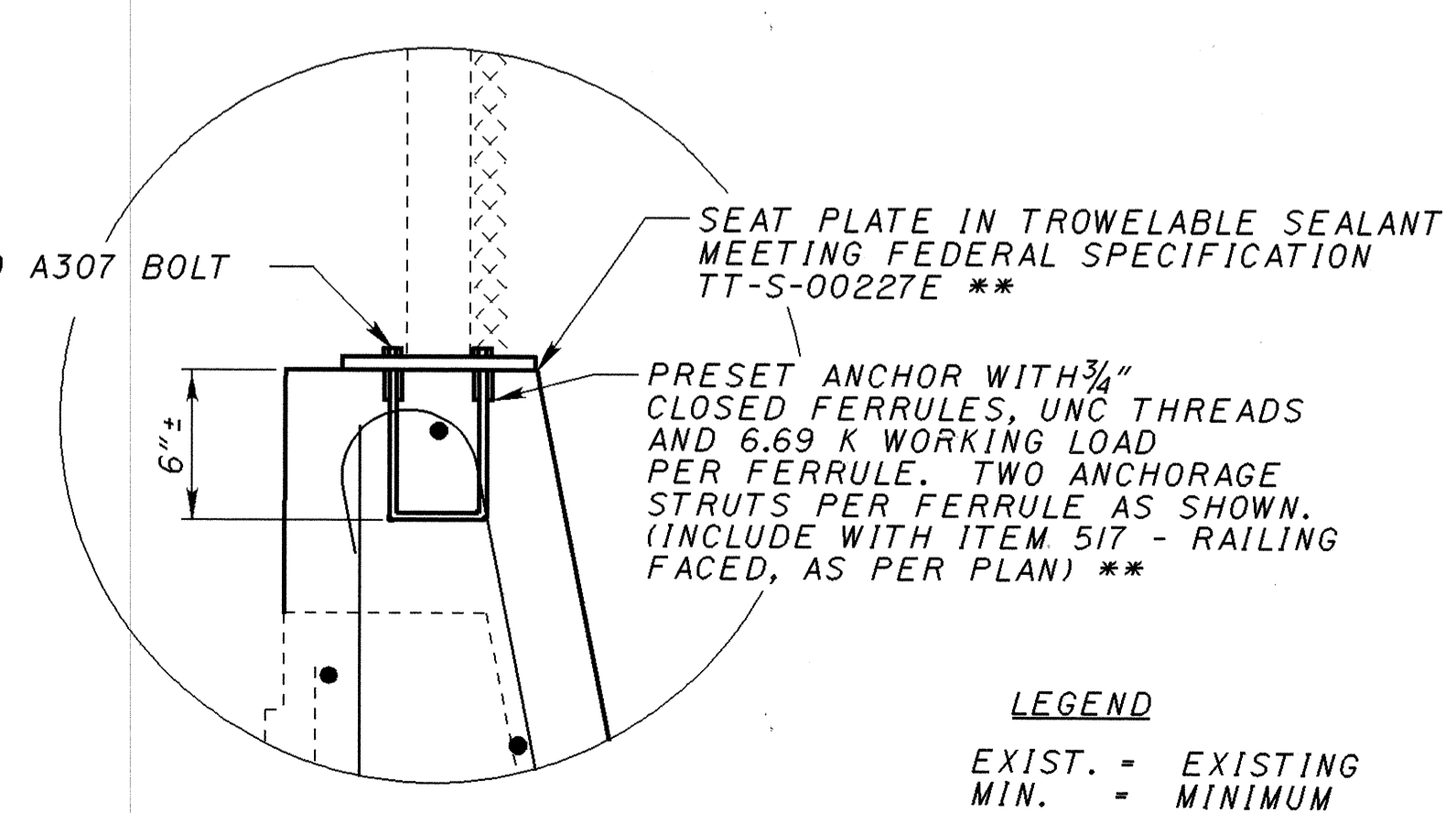
**PLAN VIEW EXISTING BASE PLATE**



**REPAIR DETAIL**



**DETAIL A**



**DETAIL B**

**LEGEND**  
 EXIST. = EXISTING  
 MIN. = MINIMUM  
 PL = PLATE  
 R. = RADIUS  
 SS = STAINLESS STEEL  
 TYP. = TYPICAL  
 c/c = CENTER TO CENTER

DESIGN AGENCY: BURGESS & NIPLE, 100 WEST ERIE STREET, PAINESVILLE, OHIO 44077  
 DATE: 2-28-01  
 REVIEWED: DWL (STRUCTURE FILE NUMBER: 4302702)  
 DRAWN: SCT  
 CHECKED: ENF  
 DESIGNED: SCT  
 BRIDGE NO. LAK-44-0510  
 JACKSON STREET OVER STATE ROUTE 44  
 LAKE COUNTY  
 LAK-2/44-13.05/4.14  
 5/8  
 85E  
 93