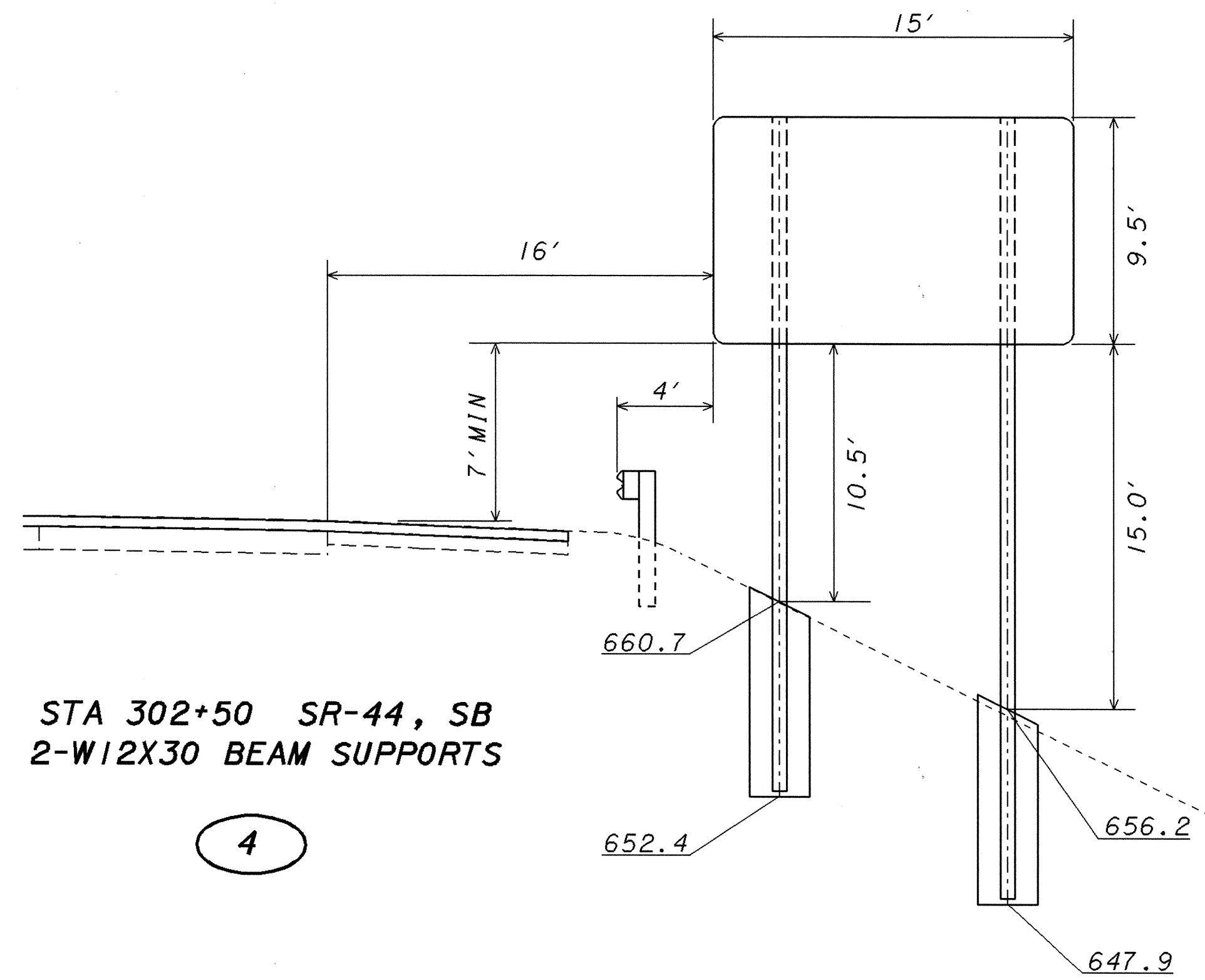


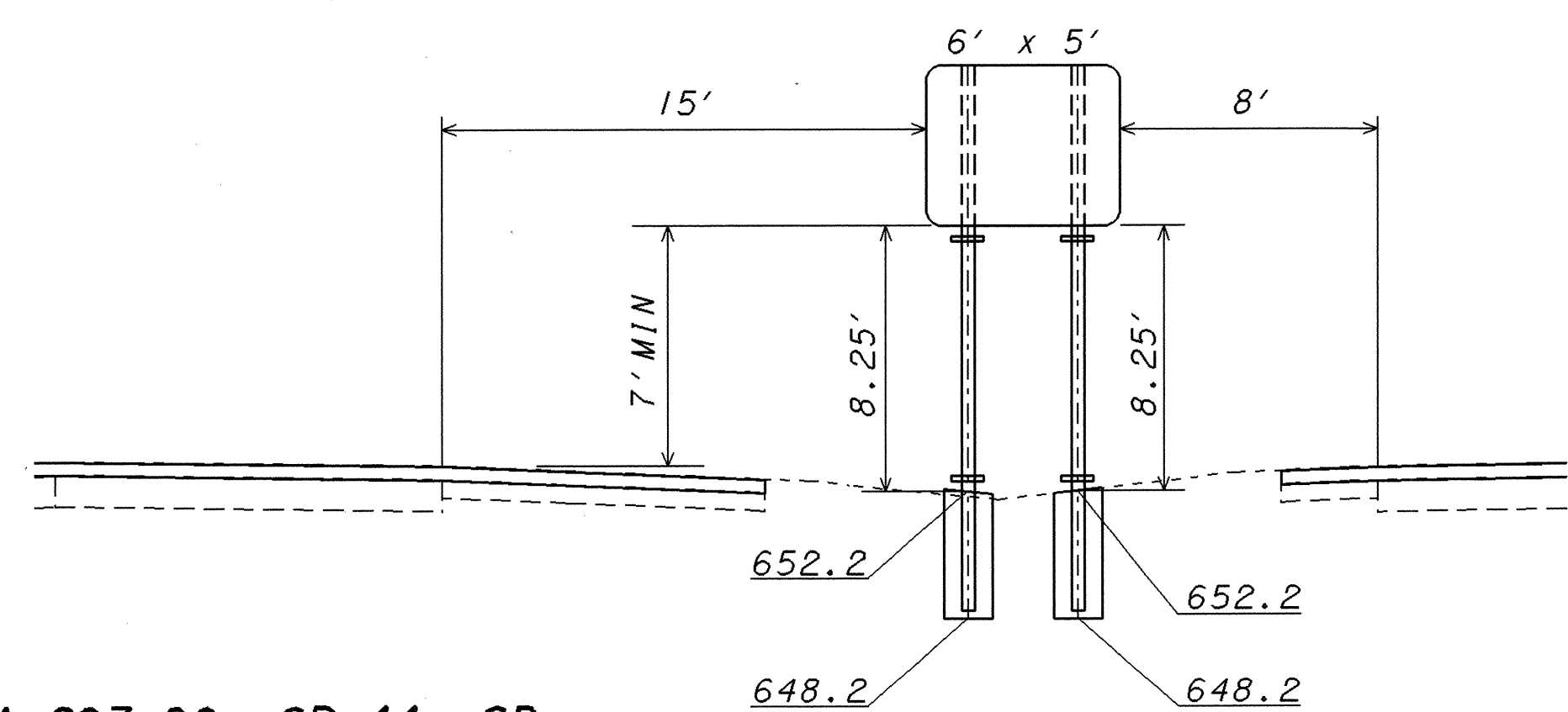
STA 256+00 SR-44, SB  
2-W6X9 BEAM SUPPORTS  
WITH BREAKAWAY CONNECTIONS

2



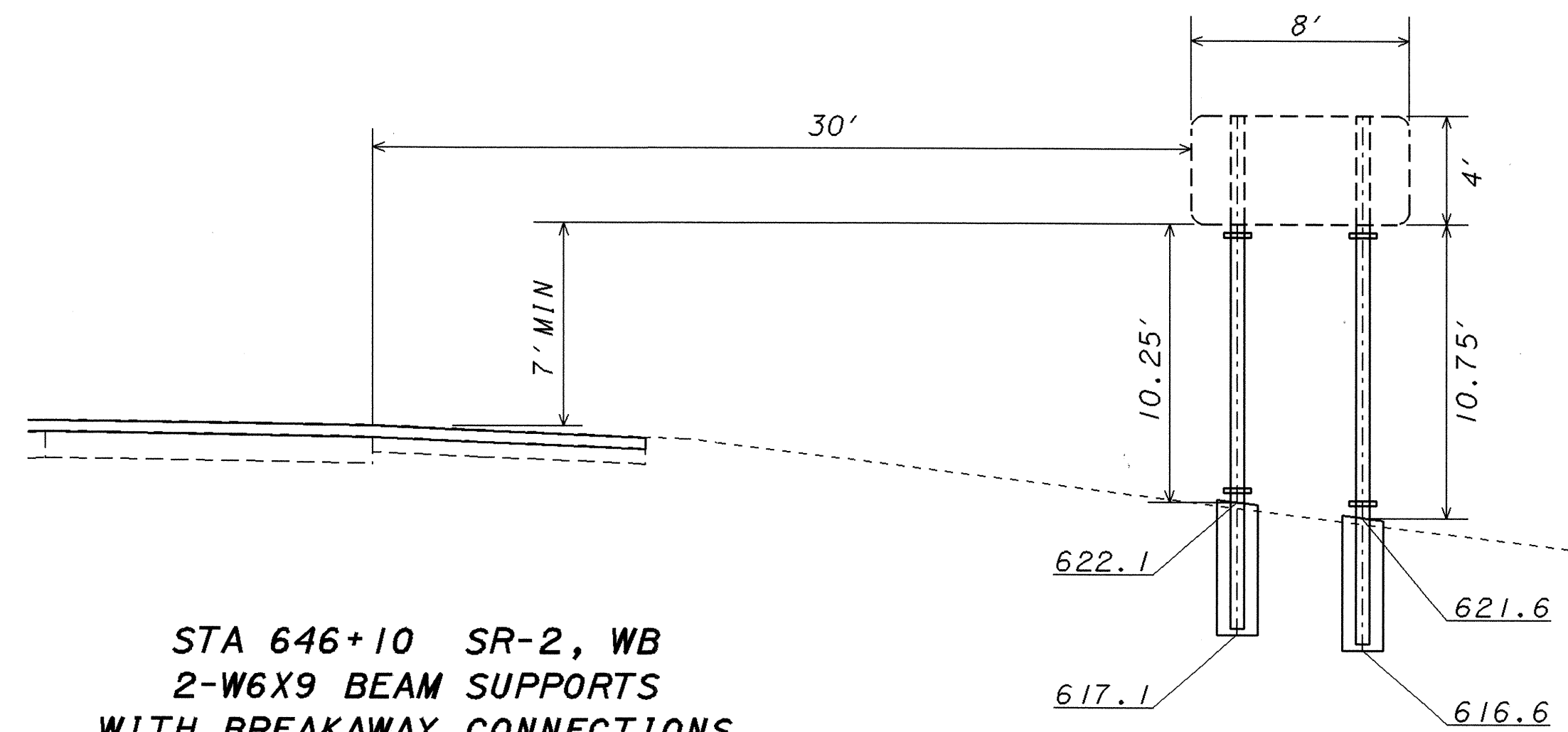
STA 302+50 SR-44, SB  
2-W12X30 BEAM SUPPORTS

4



STA 293+90 SR-44, SB  
2-S4X7.7 BEAM SUPPORTS  
WITH BREAKAWAY CONNECTIONS

3



STA 646+10 SR-2, WB  
2-W6X9 BEAM SUPPORTS  
WITH BREAKAWAY CONNECTIONS

16

CALCULATED	EMK
CHECKED	LDH
SCALE IN FEET	
0 5 10	

SIGN ELEVATION VIEWS

LAKE COUNTY  
LAK-2/44-13.05/4.14

PLOTTED FROM: I:\PROJECTS\18391\dgn\18391tea.dgn