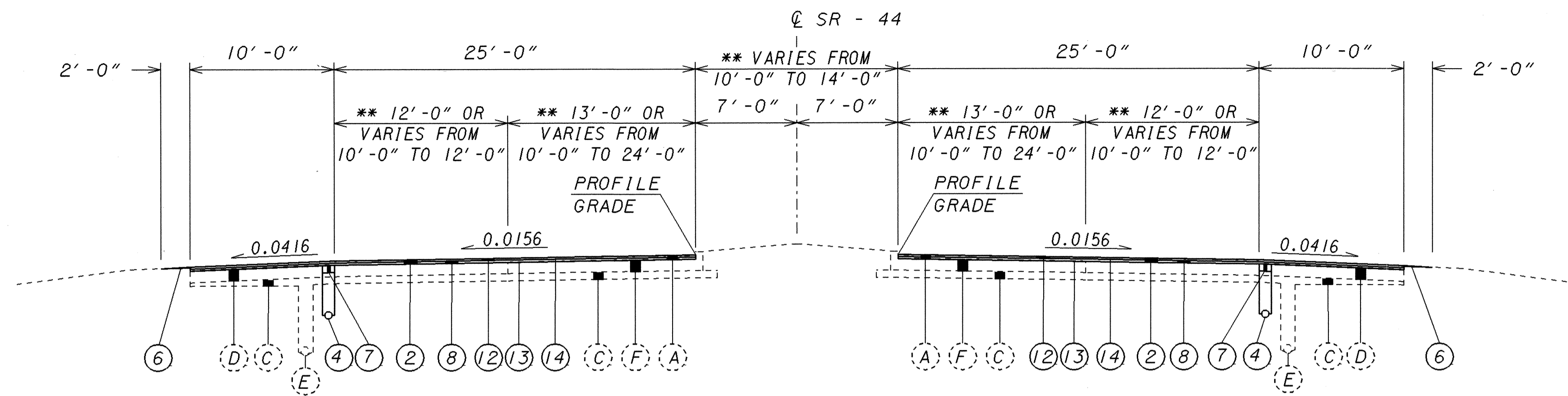
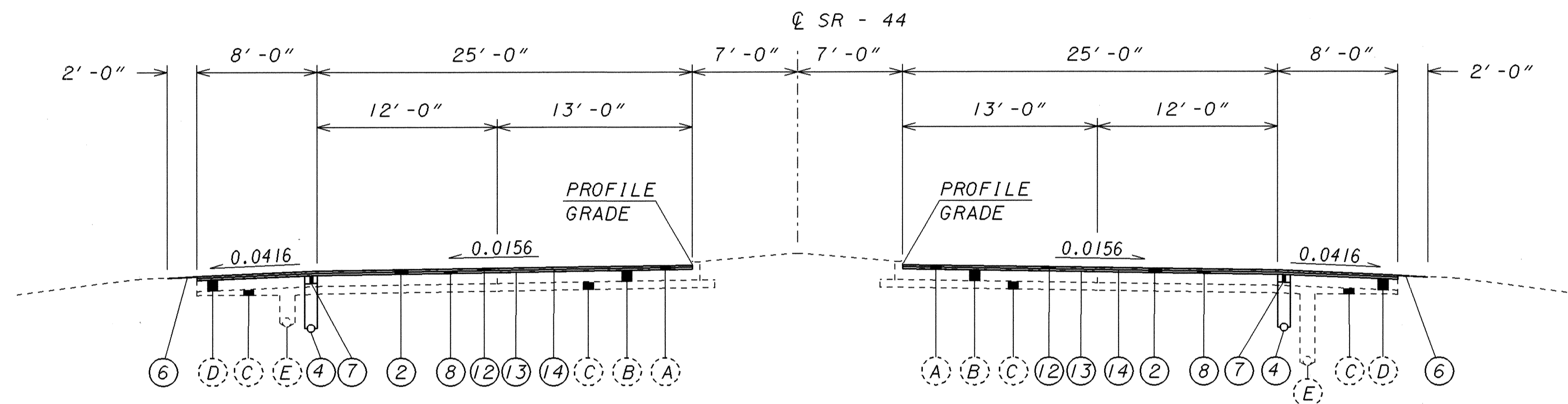


PLOTTED FROM: I:\PROJECTS\18391\dgn\18391gqa.dgn



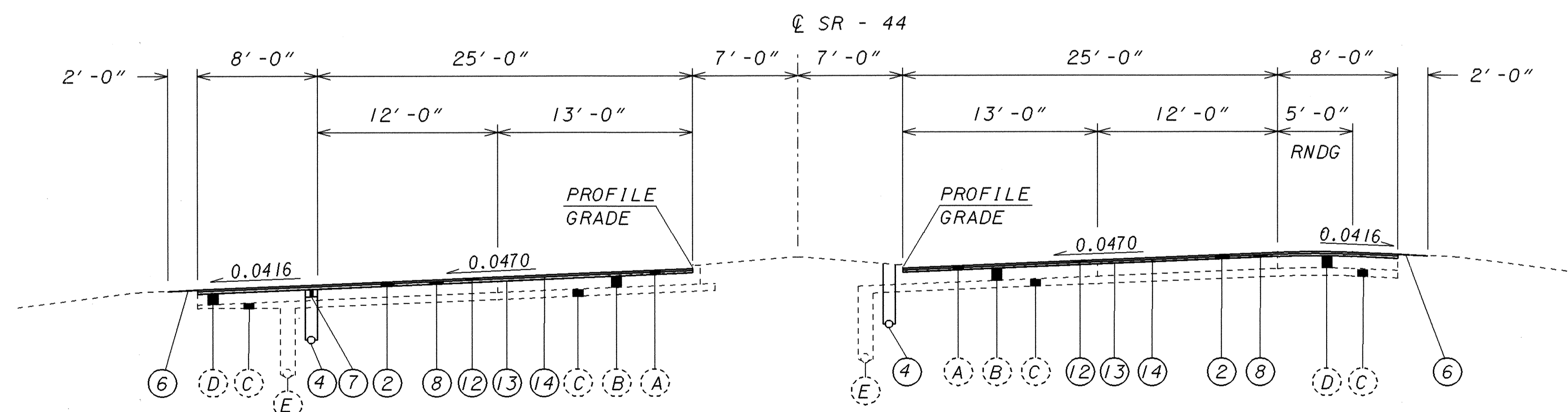
NORMAL

STA. 31+66.10 TO STA. 36+99.10 = 533.00 LIN. FT.
** - STA. 31+66.10 TO STA. 36+72.67



NORMAL

STA. 36+99.10 TO STA. 102+98.23 = 6,599.13 LIN. FT.
STA. 123+08.46 TO STA. 157+50.00 = 3,441.54 LIN. FT.



SUPERELEVATED

STA. 102+98.23 TO STA. 123+08.46 = 2,010.23 LIN. FT.



TYPICAL SECTIONS - S.R. 44

LAKE COUNTY
LAK-2/44-13.05/4.14

7
93

SEE SHEET 5 FOR LEGEND