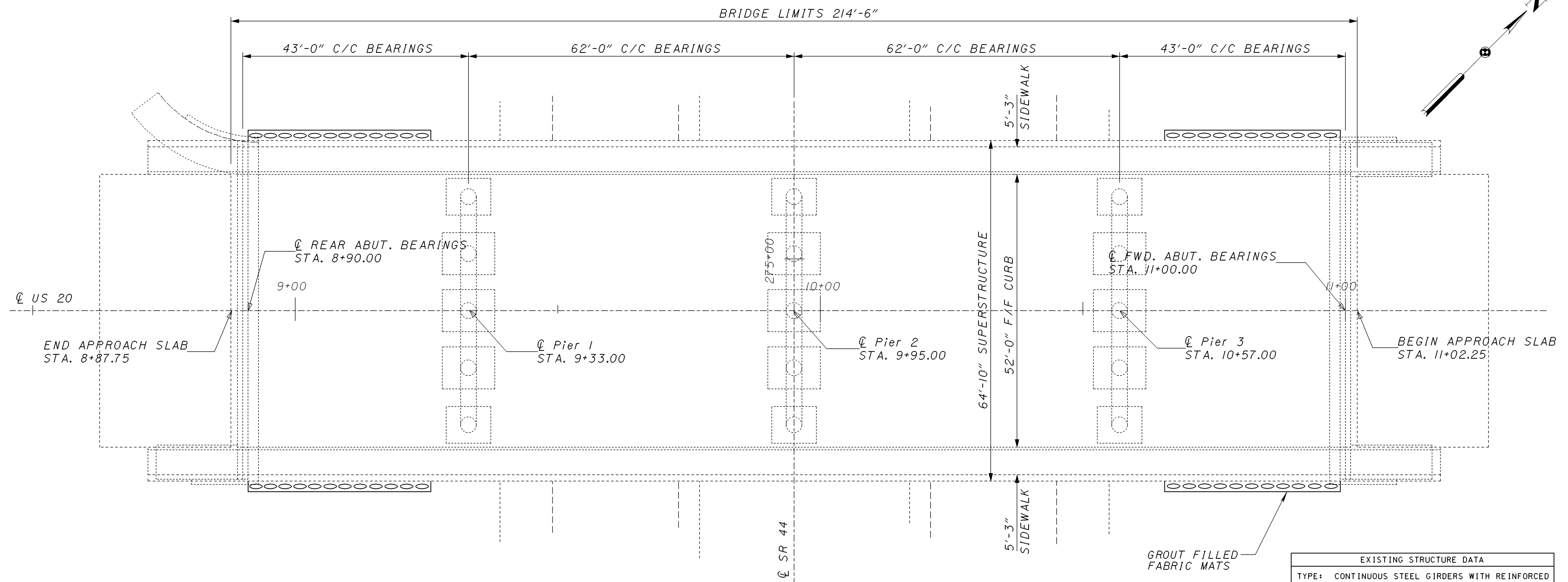
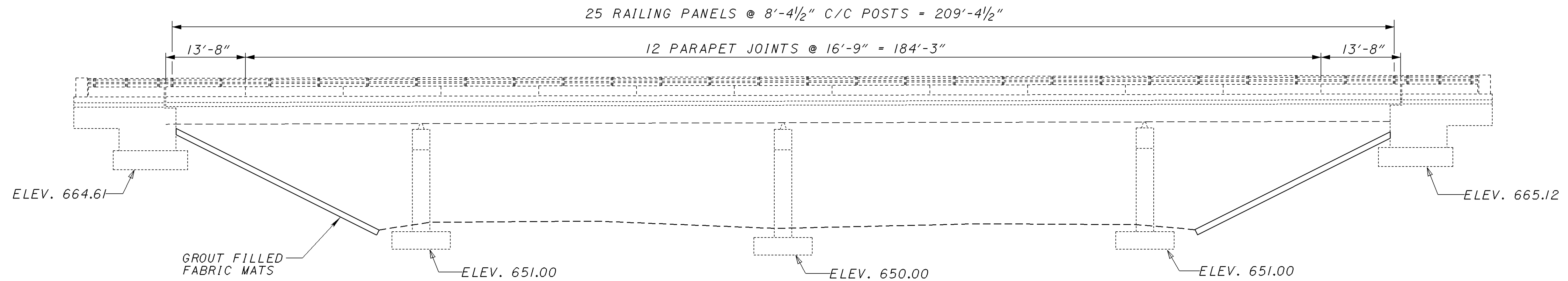


PLOTTED FROM: I:\PROJECTS\18391\dgn\1434PLAN.dgn



PLAN

EXISTING STRUCTURE DATA	
TYPE:	CONTINUOUS STEEL GIRDERS WITH REINFORCED CONCRETE DECK AND SUBSTRUCTURE
SPANS:	43'-62'-62'-43' C/C BEARINGS
ROADWAY:	52'-0" F/F CURBS WITH 5'3" SIDEWALKS
LOAD FREQUENCY:	CF = 400 (57)
SKEW:	NONE
WEARING SURFACE:	1" MONOLITHIC CONCRETE
APPROACH SLABS:	AS-1-54 MODIFIED (25' LONG)
ALIGNMENT:	TANGENT
YEAR BUILT:	1963



ELEVATION

SEE SHEET 90 FOR QUANTITY

DESIGNED	EMK	CHECKED	DATE	REVIEWED	JDL	STRUCTURE FILE NUMBER	DESIGN AGENCY
							ODOT - DISTRICT 12
SITE PLAN							
BRIDGE NO. LAK-20-1434							
STATE ROUTE 44 UNDER U.S. ROUTE 20							
LAKE COUNTY							
LAK-2/44-13.05/4.14							
91							
93							