

STRUCTURE GENERAL NOTES

ITEM 601, SLOPE PROTECTION MISC., GROUT FILLED FABRIC MATS

EMBANKMENT SLOPE PROTECTION EXTENDING FROM THE FACE OF THE ABUTMENT DOWN TO THE TOE OF SLOPE SHALL BE AS SPECIFIED IN ITEM 601.05 OF THE CONSTRUCTION AND MATERIAL SPECIFICATION EXCEPT AS MODIFIED HEREIN. THE FOLLOWING SHALL BE CONSIDERED AS SUPPLEMENTAL TO THE PROVISIONS SET FORTH THEREIN.

MATERIAL: THE MATERIAL USED FOR EMBANKMENT SLOPE PROTECTION SHALL CONSIST OF SPECIALLY-WOVEN MULTIPLE PANELS OF DOUBLE LAYER, OPEN SELVAGE NYLON FABRIC, JOINED IN A MAT CONFIGURATION WITH 8" FILTER POINT SPACING SIMILAR TO "FABRIFORM 8" OR APPROVED ALTERNATE. THIS MAT SHALL BE FILLED WITH A GROUT CONSISTING OF A MIXTURE OF PORTLAND CEMENT, FINE AGGREGATE AND WATER SO PROPORTIONED AND MIXED AS TO PROVIDE A PUMPABLE SLURRY. POZZOLAN AND GROUT FLUIDIFIER MAY BE USED AT THE OPTION OF THE CONTRACTOR. THE MIX SHALL EXHIBIT A COMPRESSIVE STRENGTH OF 2,000 P.S.I. AT TWENTY-EIGHT EIGHT DAYS WHEN MADE AND TESTED IN ACCORDANCE WITH ASTM C-31 AND C-39.

GRADING AND SLOPE PREPARATION: THIS WORK SHALL INCLUDE THE GRADING OF THE SLOPE IN PREPARATION FOR THE PLACEMENT OF THE GROUT FILLED FABRIC MATS. THIS WORK SHALL ALSO INCLUDE THE REMOVAL OF THE PAVED GUTTERS.

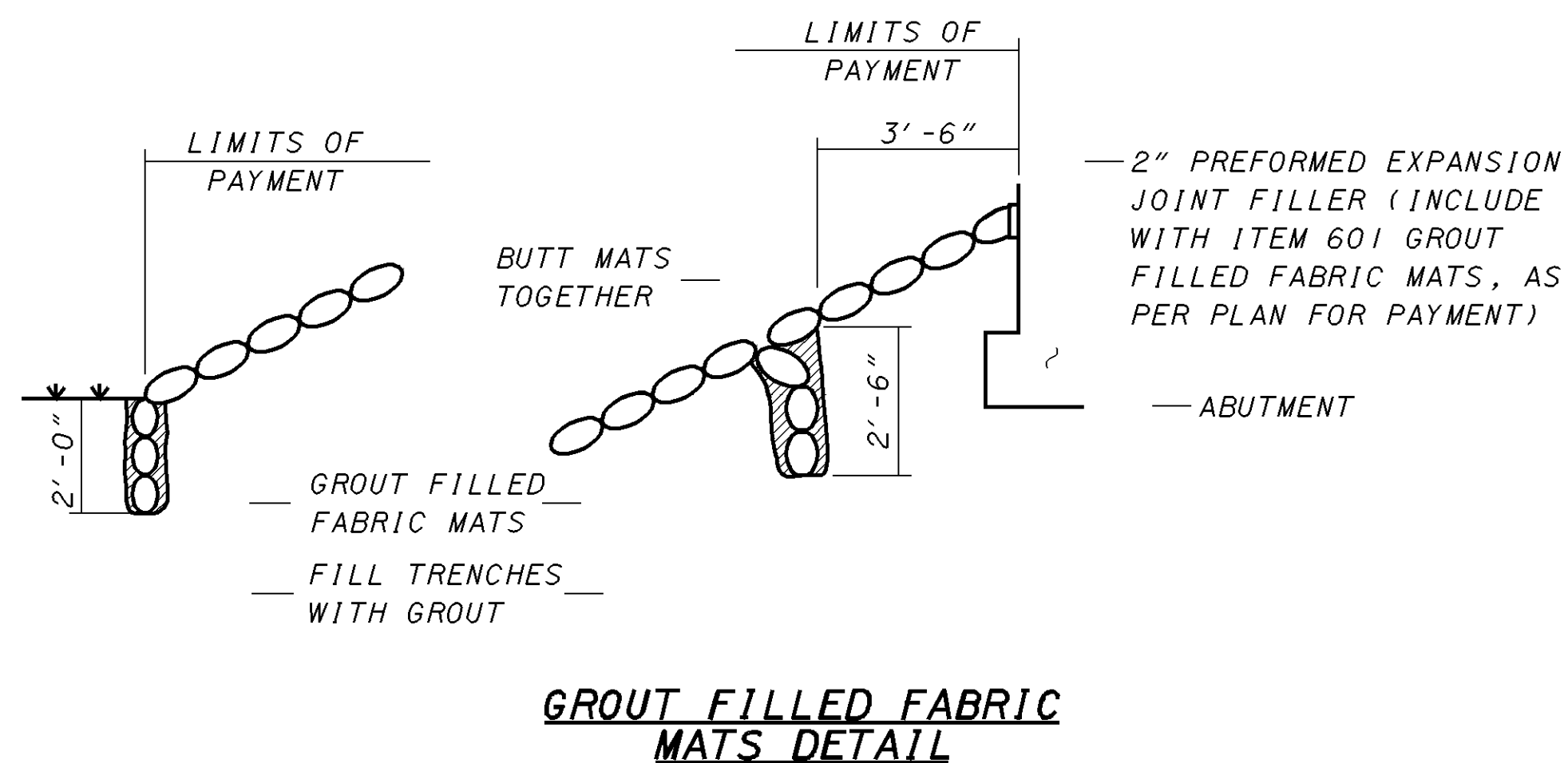
INSTALLATION: THE GROUT FILLED FABRIC MATS SHALL BE INSTALLED ON THE PREPARED SLOPE IN STRICT ACCORDANCE WITH MANUFACTURER'S RECOMMENDATIONS. THE SIDES AND BOTTOM OF THE GROUT FILLED FABRIC MATS SHALL TERMINATE IN ANCHOR TRENCHES. THE TOP OF THE GROUT FILLED FABRIC MATS SHALL TERMINATE AT THE ABUTMENTS AGAINST 2" PREFORMED EXPANSION JOINT FILLER. (SEE DETAIL ON THIS SHEET)

MEASUREMENT FOR PAYMENT: GROUT FILLED FABRIC MATS, AS PER PLAN WILL BE MEASURED BY THE SQUARE YARD OF FINISHED SURFACE COMPLETE IN PLACE.

BASIS OF PAYMENT: PAYMENT FOR ACCEPTED QUANTITIES, COMPLETE IN PLACE WILL BE MADE AT THE CONTRACT UNIT PRICE BID FOR:

ITEM	UNITS	DESCRIPTION
601E21100	SQUARE YARD	SLOPE PROTECTION MISC.: GROUT-FILLED FABRIC MATS

THIS PRICE SHALL BE FULL COMPENSATION FOR ALL MATERIALS, LABOR, EQUIPMENT AND INCIDENTALS NECESSARY TO COMPLETE THIS ITEM AS SPECIFIED.



GROUT FILLED FABRIC MATS DETAIL

ESTIMATED QUANTITIES												
ITEM	ITEM EXTENSION	BRIDGE NO. LAK-20-1434		BRIDGE NO. LAK-44-0510		BRIDGE NO. LAK-20-0795		NHS	STP	TOTAL	UNIT	DESCRIPTION
		LT	RT	LT	RT	LT	RT					
601	21100	298	287	210	210	448	448	1901		1901	SQ YD	SLOPE PROTECTION MISC.: GROUT FILLED FABRIC MATS

I:\PROJECTS\18391\dgn\434gn01.dgn 09-NOV-2001 11:29PM fkonopka

90 93	LAK-2-13.05/ LAK-44-4.14	STRUCTURE GENERAL NOTES & ESTIMATED QUANTITY BRIDGE NO. LAK-20-1434 L/R & BRIDGE NO. LAK-44-0795 L/R S.R. 44 UNDER U.S. ROUTE 20 & S.R. 283	DESIGN AGENCY DISTRICT TWELVE PRODUCTION DEPARTMENT
DESIGNED M/JL CHECKED EMK	DRAWN M/JL REVISED	REVISED DATE STRUCTURE FILE NUMBER	DESIGN AGENCY DISTRICT TWELVE PRODUCTION DEPARTMENT