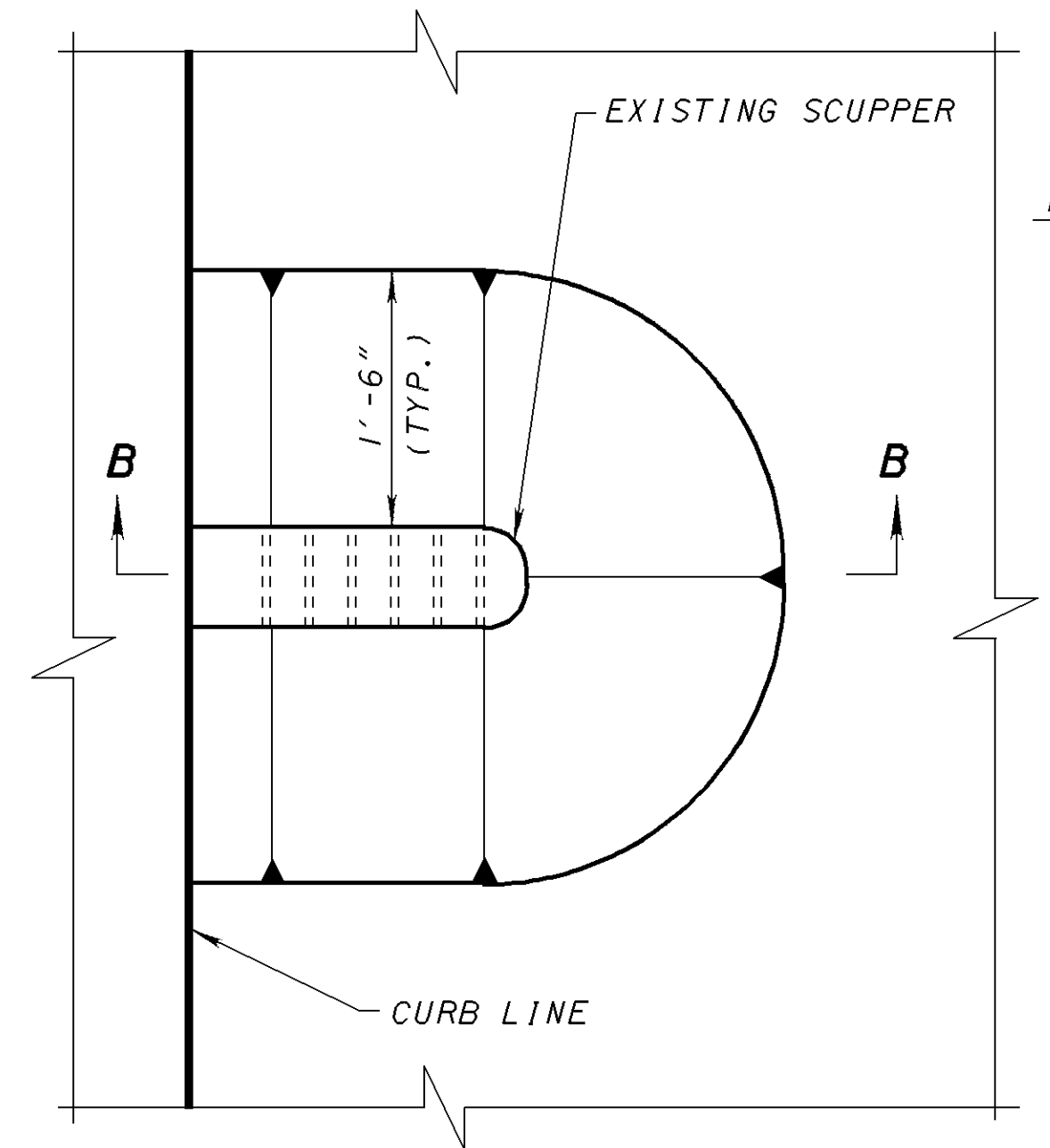


**EXPANSION JOINT SECTION**

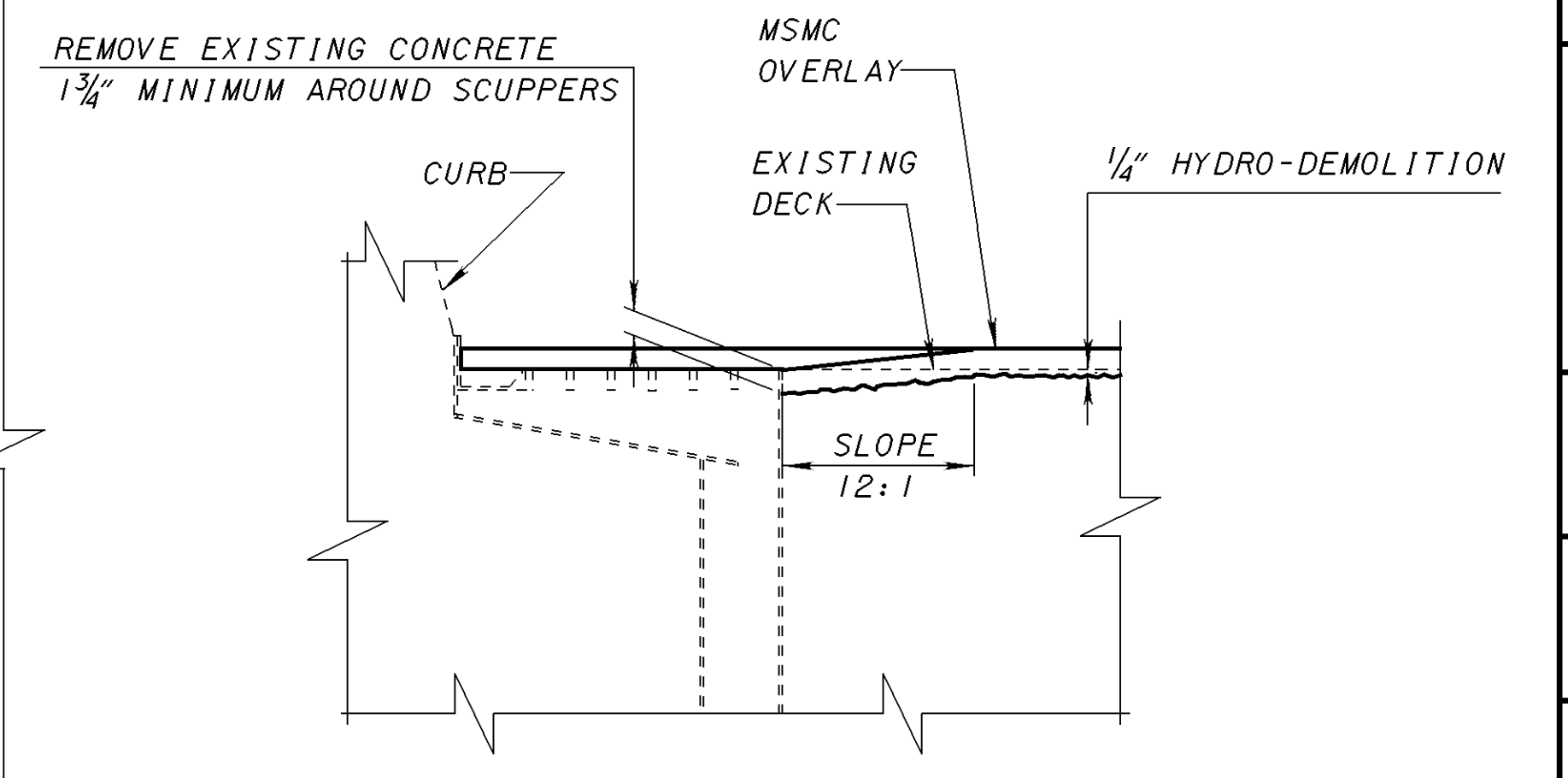
NEOPRENE STRIP SEAL GLAND NOT SHOWN. STRIP SEALS AND RETAINERS SHALL END AT THE CURB PLATES. POURED POLYURETHANE JOINT SEAL SHALL BE APPLIED ON TOP OF THE STRIP SEAL BETWEEN THE RETAINERS AT BOTH ENDS OF THE EXPANSION JOINT FROM THE CURB PLATES TO A DISTANCE OF ONE (1) FOOT FROM THE CURB PLATES.

EXPANSION JOINT OPENINGS DIMENSIONS AT 60°F			
LOCATION	EXISTING OPENING BETWEEN SLIDING PLATES *	PROPOSED OPENING BETWEEN LOW PROFILE RETAINERS	NEOPRENE GLAND SIZE
FORWARD ABUT.	0" ±	2 1/2"	5" STRIP SEAL GLAND
REAR ABUT.	1 1/2" ±	2 1/2"	5" STRIP SEAL GLAND

\* CONTRACTOR TO VERIFY PRIOR TO CONSTRUCTION AND ADJUST PROPOSED OPENING ACCORDINGLY AS DIRECTED BY THE ENGINEER.

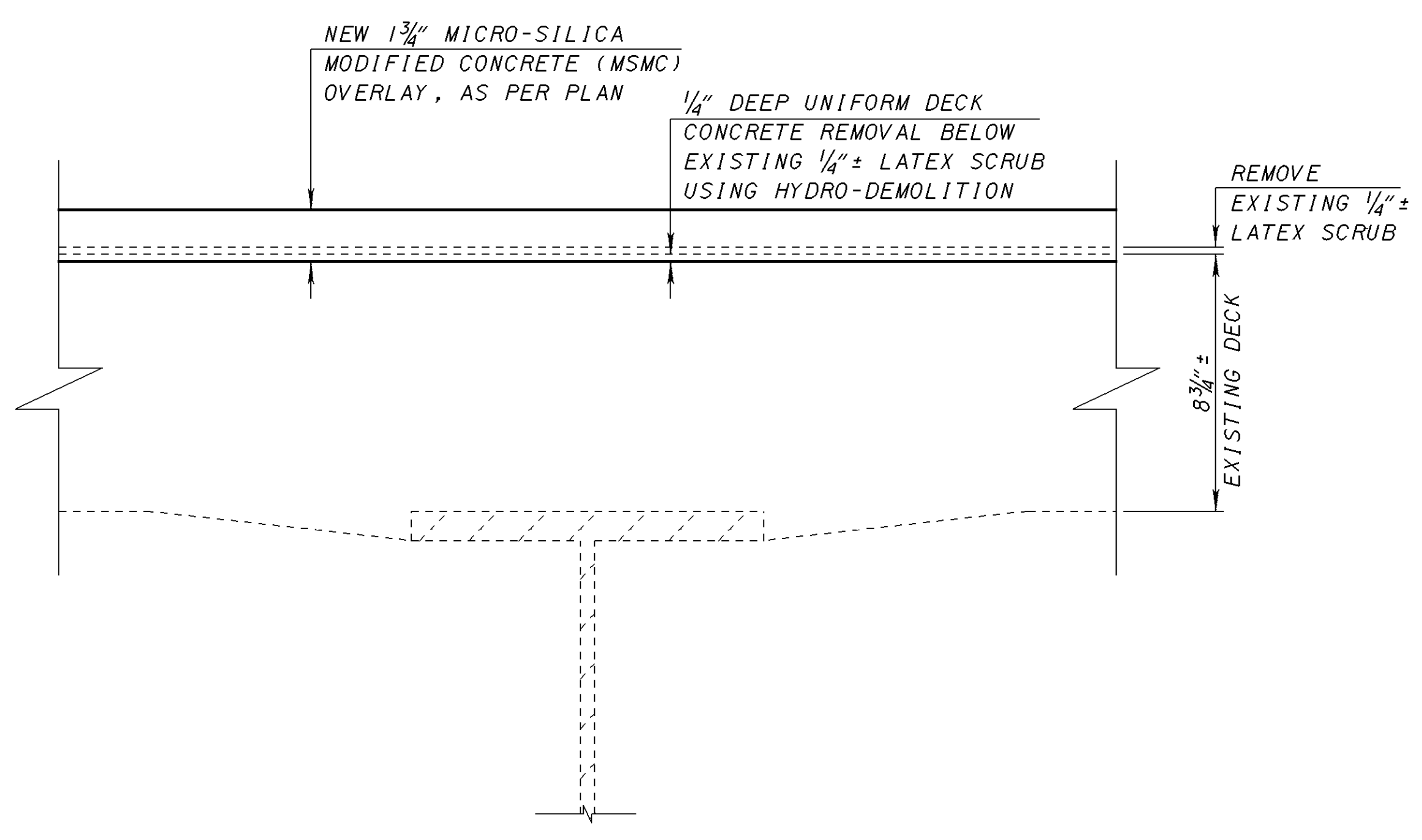


**PLAN VIEW**



**SECTION B-B**

**TYPICAL OVERLAY DETAILS AT SCUPPERS**



**DETAIL A**

**NOTES:**

- PAYMENT FOR THE EXPANSION JOINT RETROFIT SHALL BE PAID FOR UNDER ITEM 516 - VERTICAL EXTENSION OF STRUCTURAL EXPANSION JOINT, AS PER PLAN.
- ABBREVIATIONS  
TYP. - TYPICAL  
ABUT. - ABUTMENT  
FWD. - FORWARD

I:\PROJECTS\18391\dgn\0561sdc01.dgn 14-AUG-2001 10:19PM fkonopka

<b>DESIGN AGENCY</b> DISTRICT TWELVE PRODUCTION DEPARTMENT	<b>DATE</b> 02-23-01	<b>REVIEWED</b> M/J	<b>STRUCTURE FILE NUMBER</b> 430237L/430276 J/R	
<b>DESIGNED</b> M/J	<b>DRAWN</b> M/J	<b>CHECKED</b> BDS	<b>REVISOR</b> BDS	
<b>SUPERSTRUCTURE DETAILS</b> BRIDGE NO. LAK-44-0561 L/R S.R. 44 OVER CSXT				
LAK-2-13.05/ LAK-44-4.14				
4 / 4				
89 93				