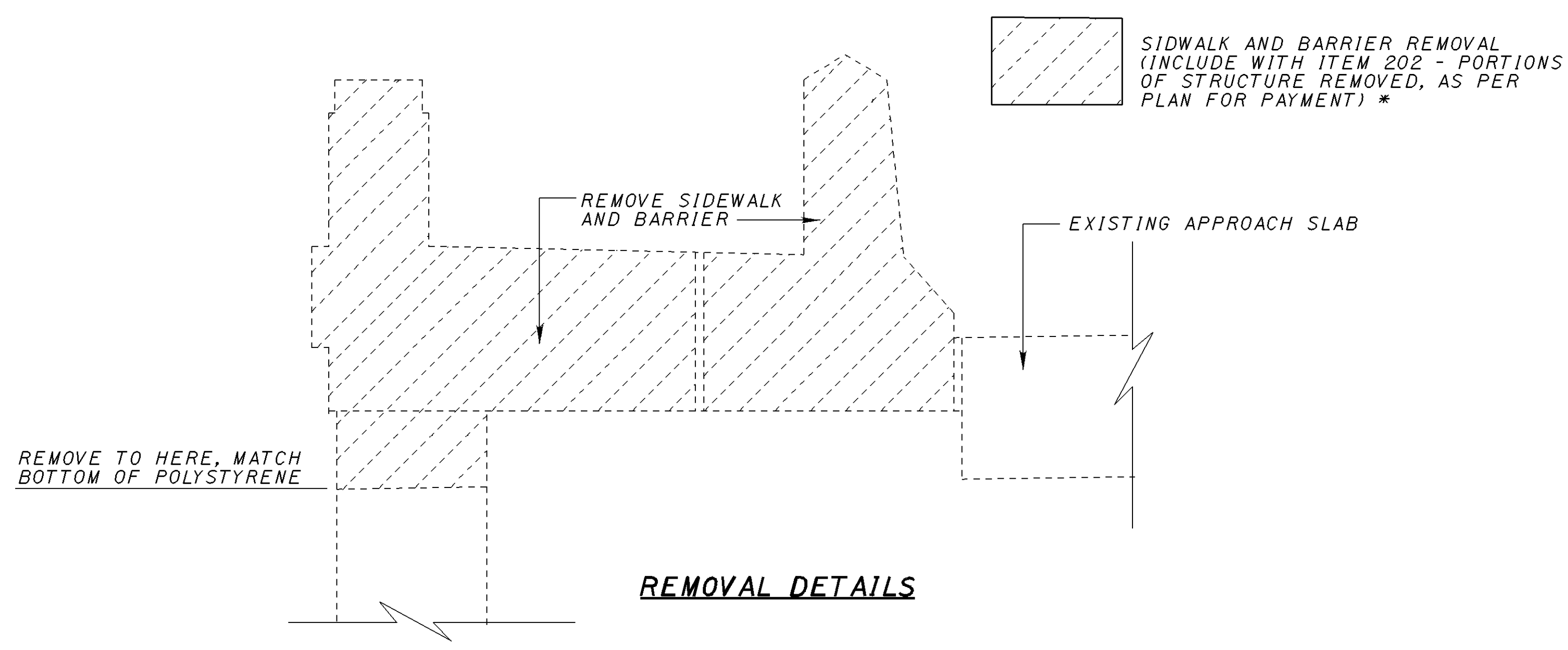
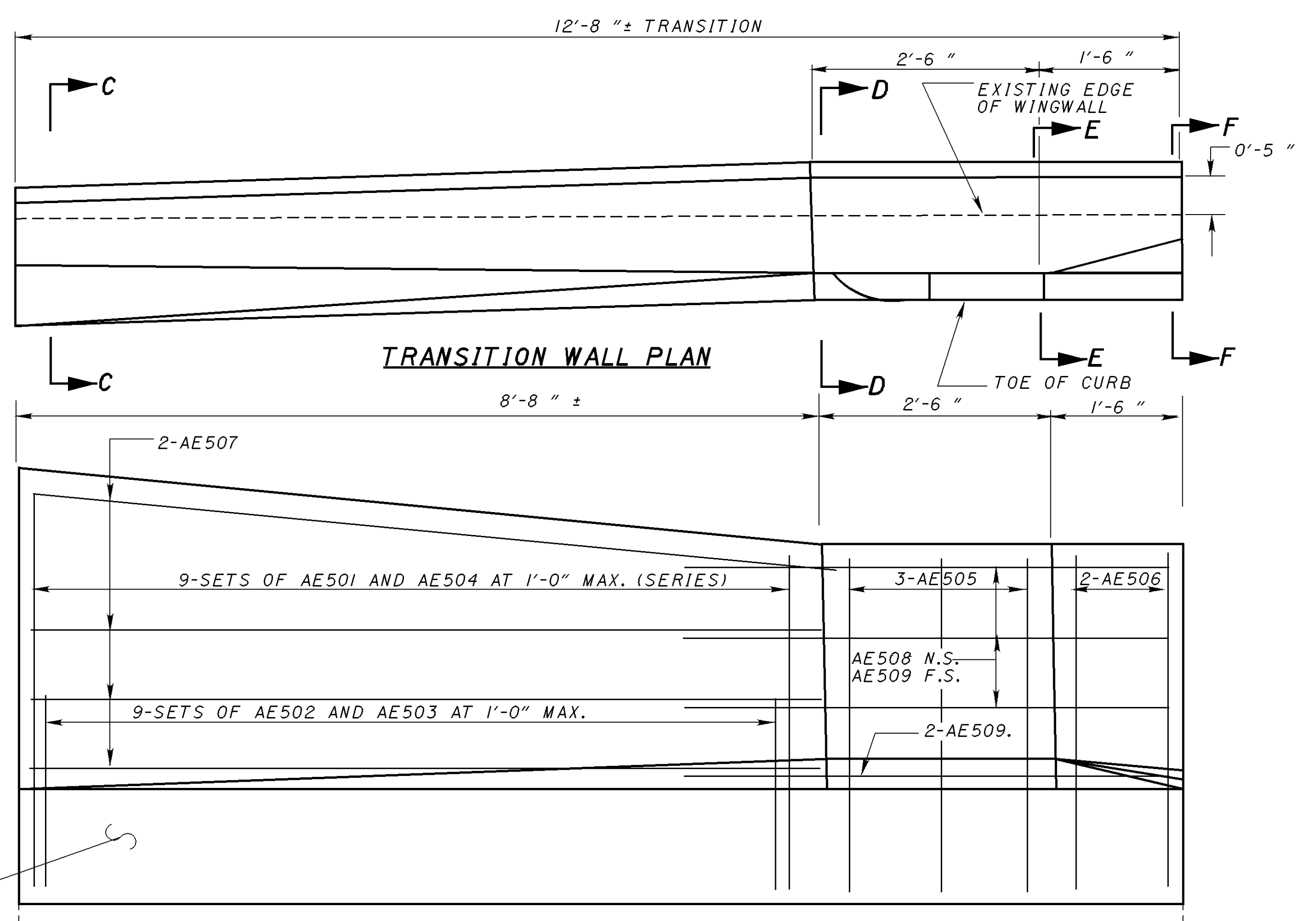


\$FILES \$DATE\$ I:\PROJECTS\PI\18391B&NPLANS\18391SDA.DGN 14-AUG-2001 16PM fkanopka

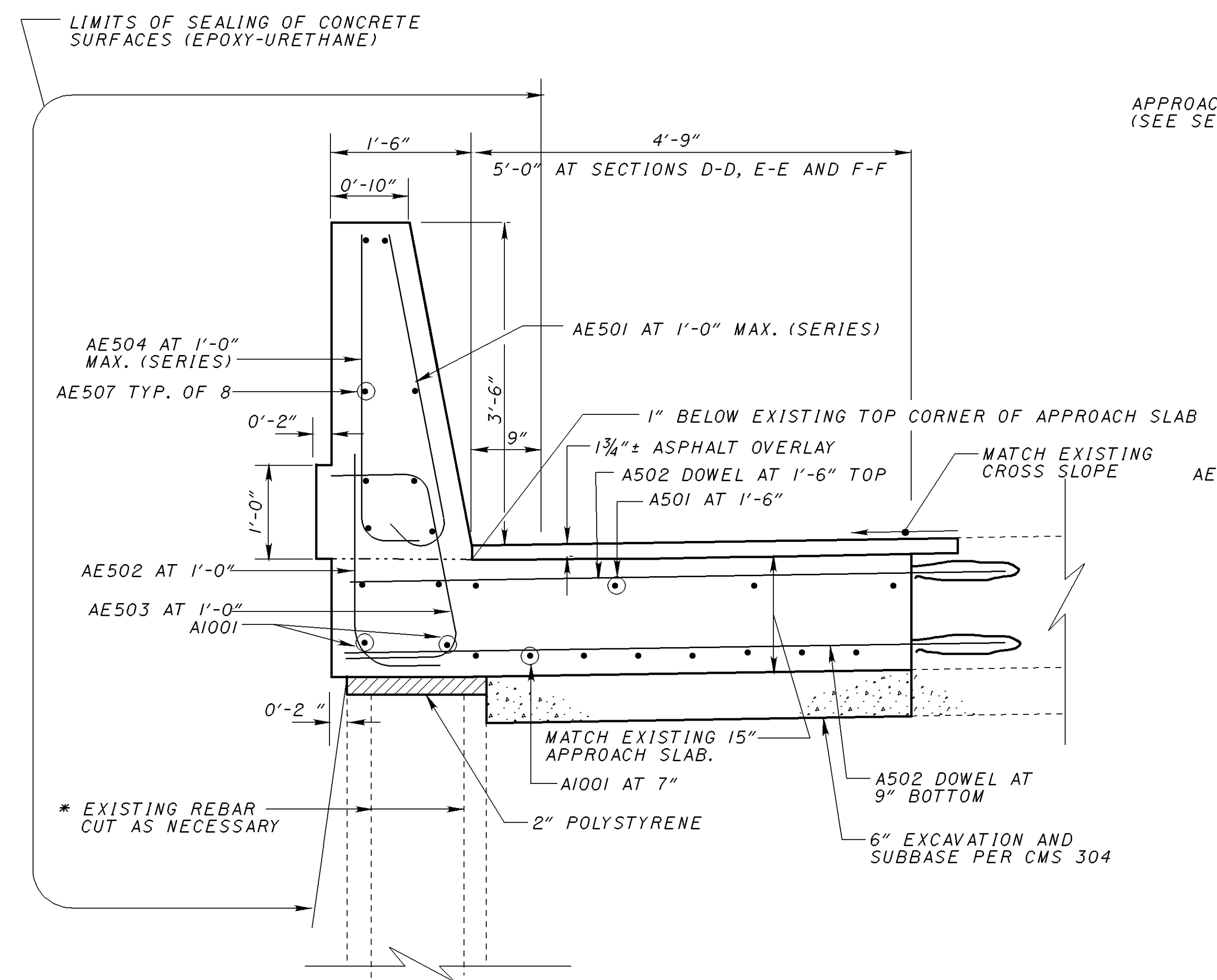


**REMOVAL DETAILS**



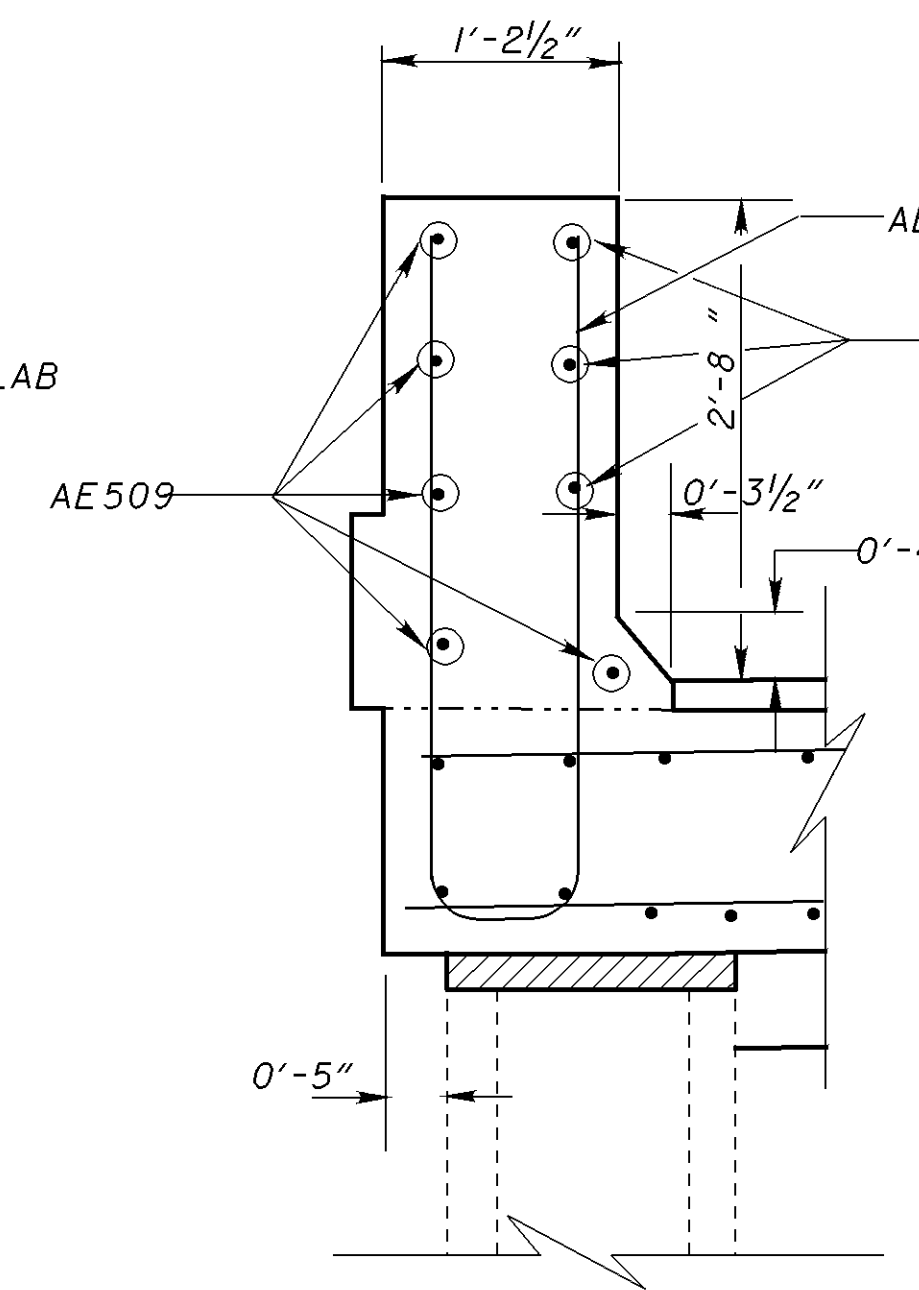
**TRANSITION WALL PLAN**

**TRANSITION WALL ELEVATION**  
NE CORNER SHOWN NW SIMILAR

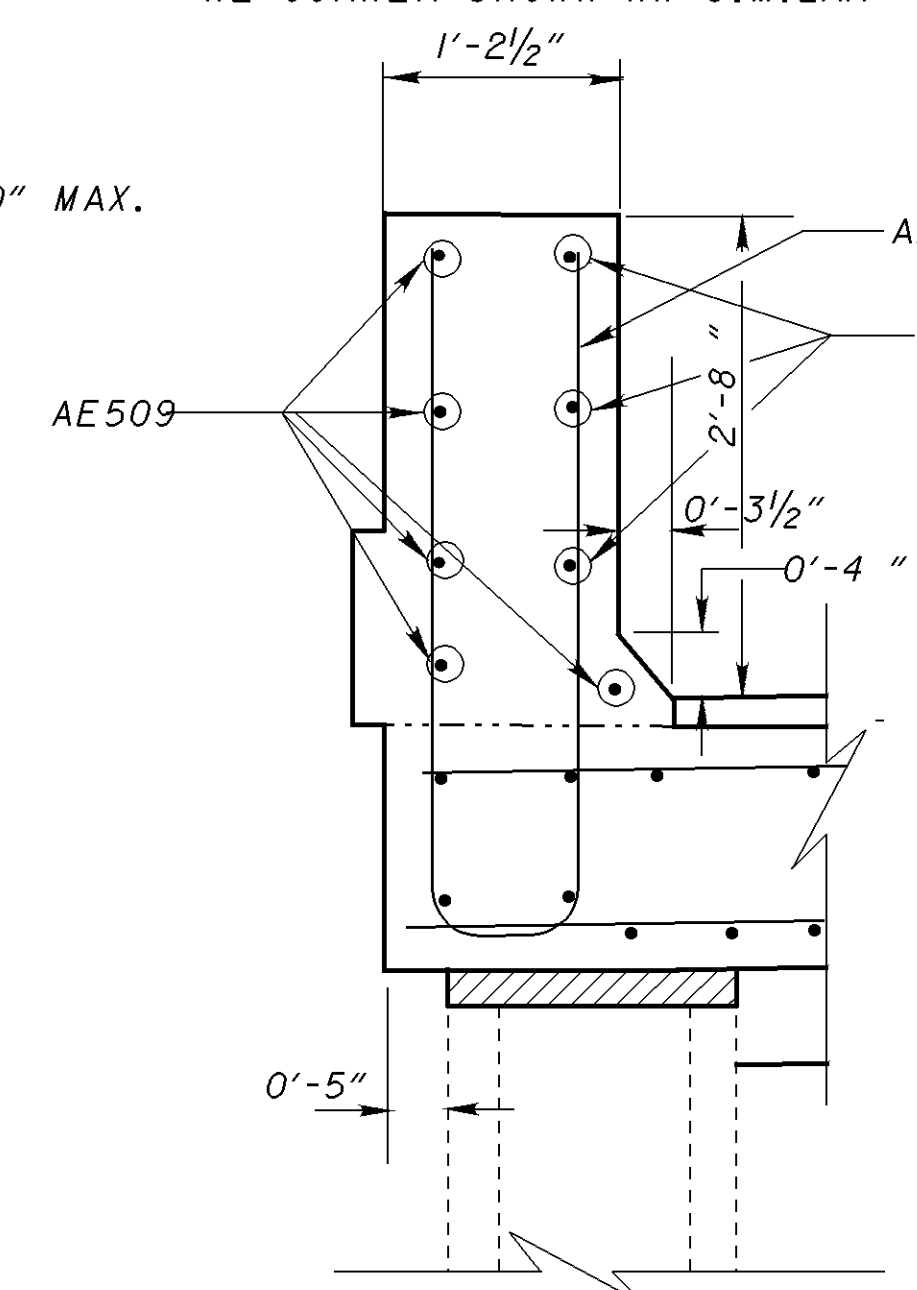


**SECTION C-C**

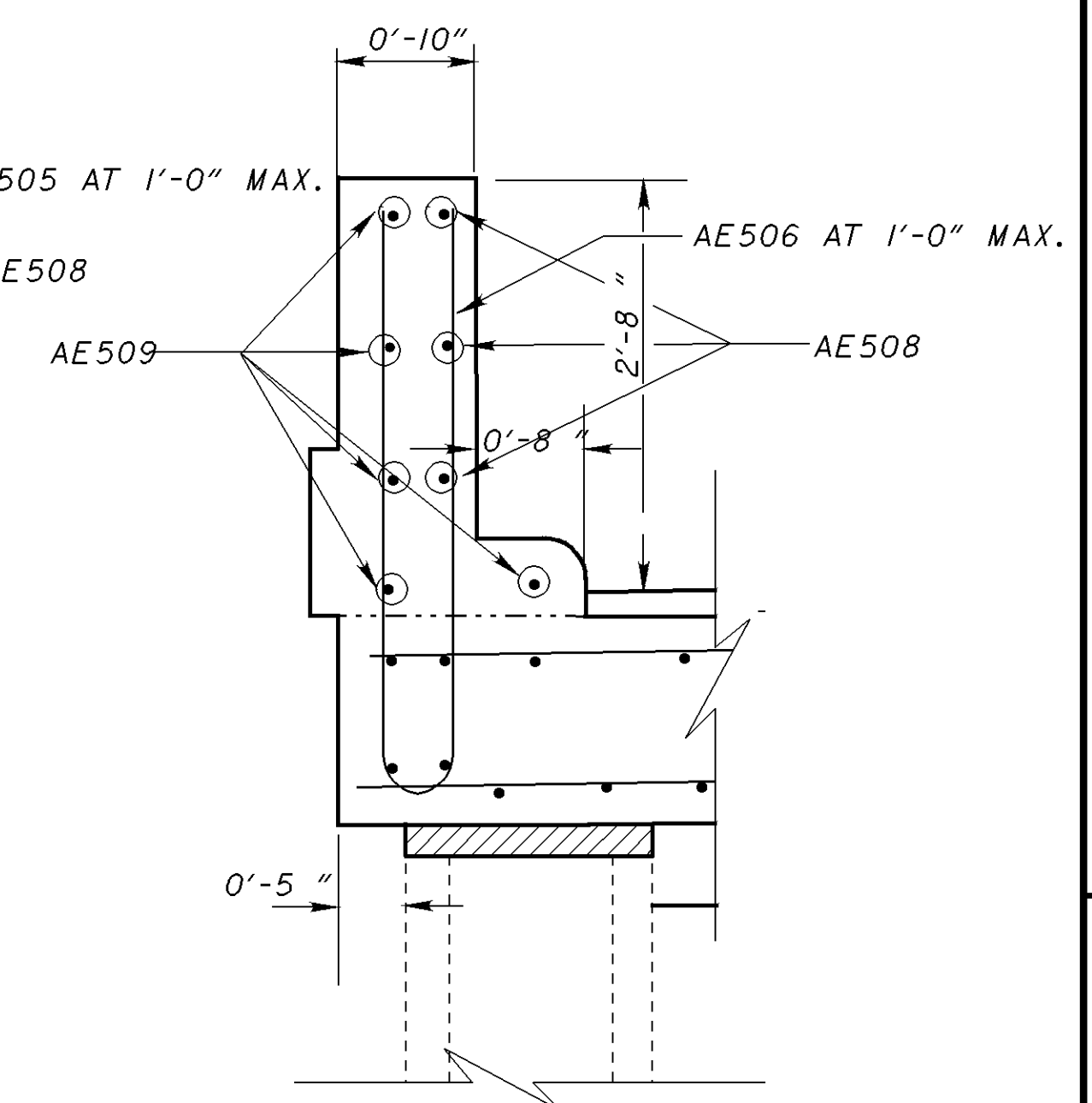
APPROACH SLAB EXTENSION  
(SEE SECTION, FOR DETAILS)



**SECTION D-D**



**SECTION E-E**



**SECTION F-F**

**NOTES:**  
 ALL CONCRETE FOR THE APPROACH SLABS AND TRANSITION WALL SHALL BE HIGH PERFORMANCE CONCRETE. EXCAVATION, SUBBASE, APPROACH SLAB EXTENSION TRANSITION WALL, DOWEL HOLES AND EPOXY GROUT SHALL BE PAID FOR UNDER ITEM 844 - HPC, MISC. DECK AND APPROACH SLAB EXTENSIONS.  
 PLACE THE HOOKED END OF A1001 TOWARD THE BRIDGE.

**LEGEND**  
 EXIST. = EXISTING  
 MIN. = MINIMUM  
 MAX. = MAXIMUM  
 N.S. = NEAR SIDE  
 F.S. = FAR SIDE  
 TYP. = TYPICAL

DESIGN AGENCY BURGESS & NIPLE 100 WEST ERIE STREET PAINESVILLE, OHIO 44077	DATE 2-28-01	REVIEWED DWL	STRUCTURE FILE NUMBER 4302702
DRAWN SCT	DESIGNED SCT	CHECKED ENF	REVISIONS

APPROACH SLAB DETAILS  
 BRIDGE NO. LAK-44-0510  
 JACKSON STREET OVER STATE ROUTE 44

LAKE COUNTY  
 LAK-2/44-13.05/4.14

7 / 8

856  
 93