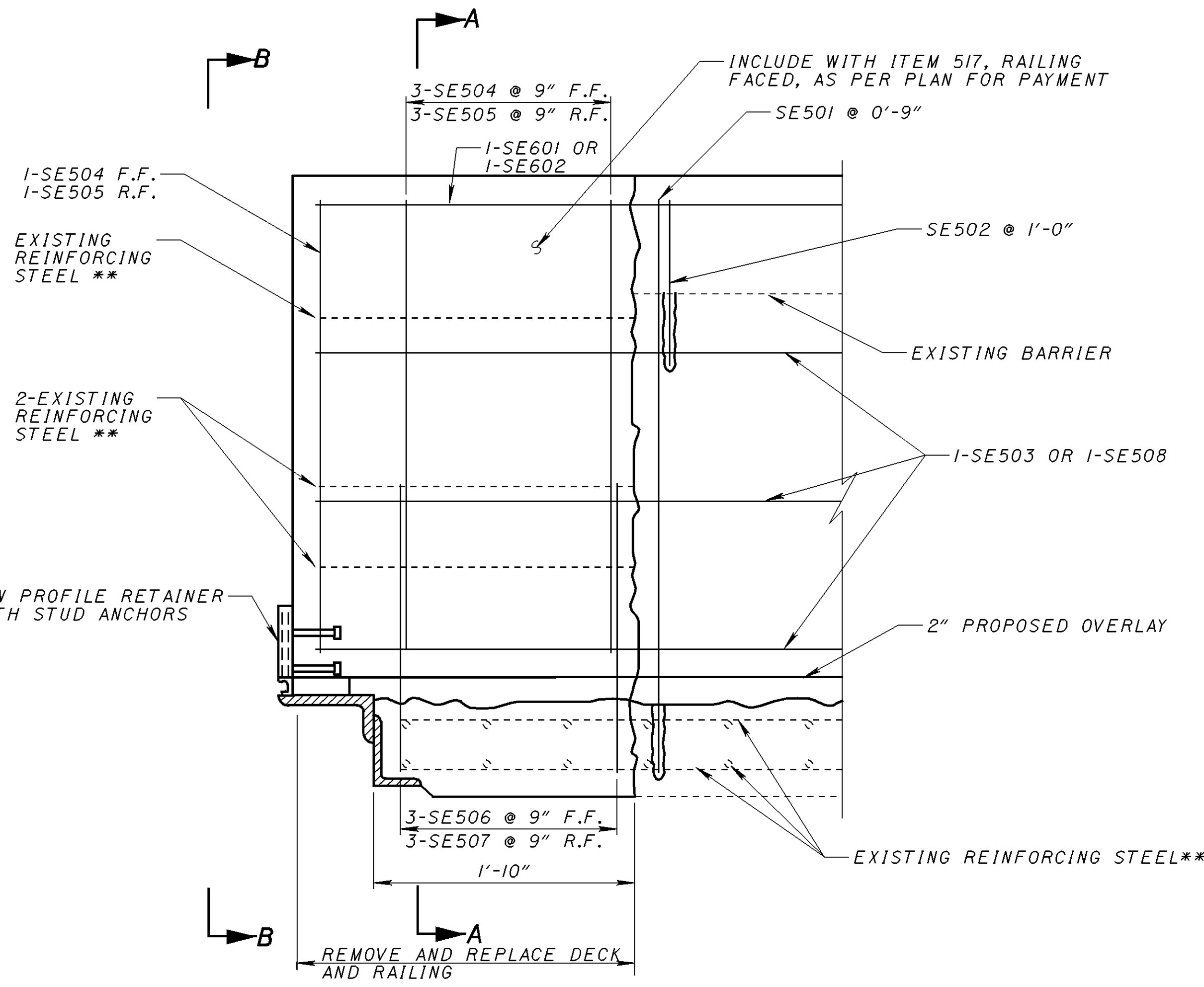
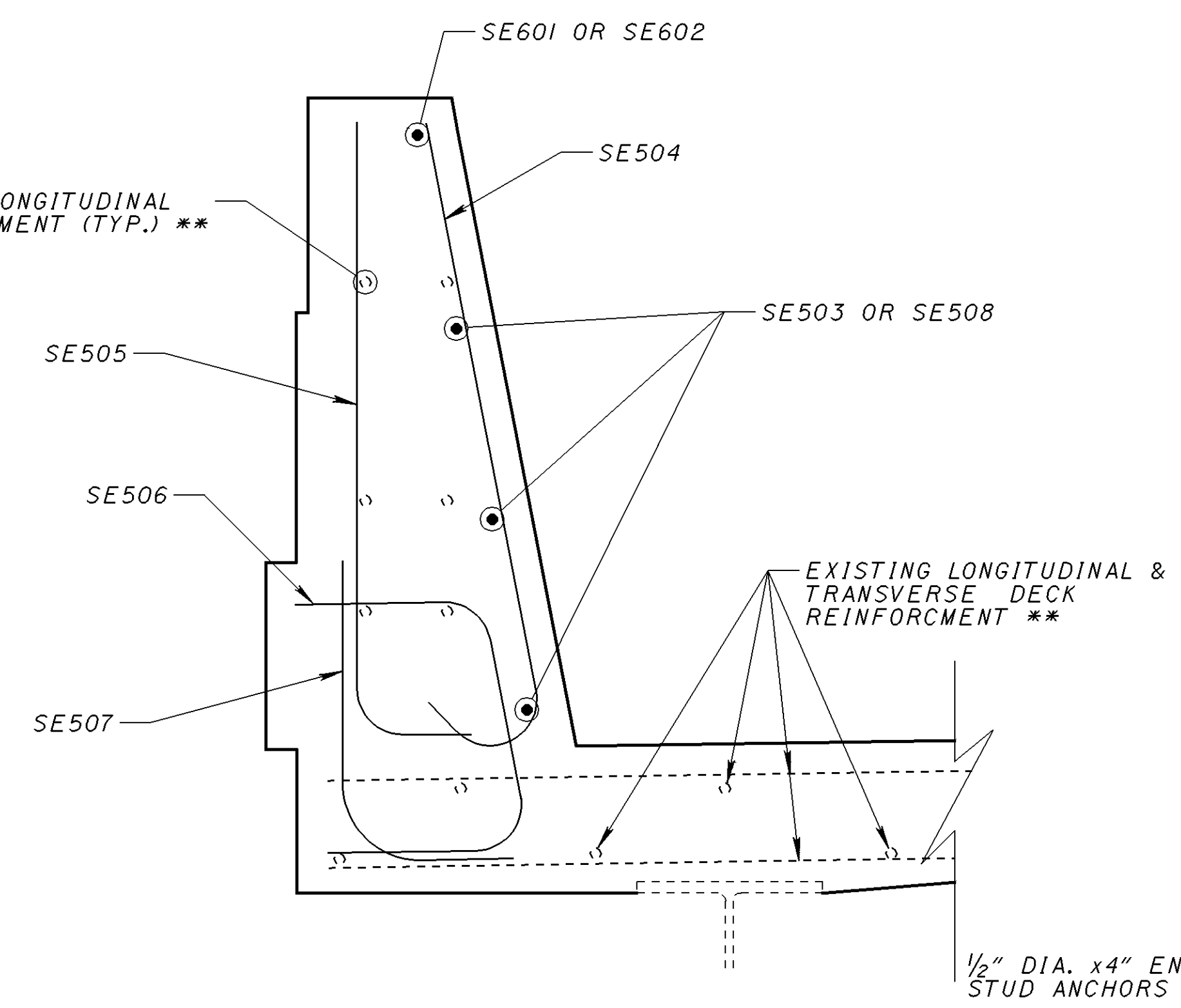


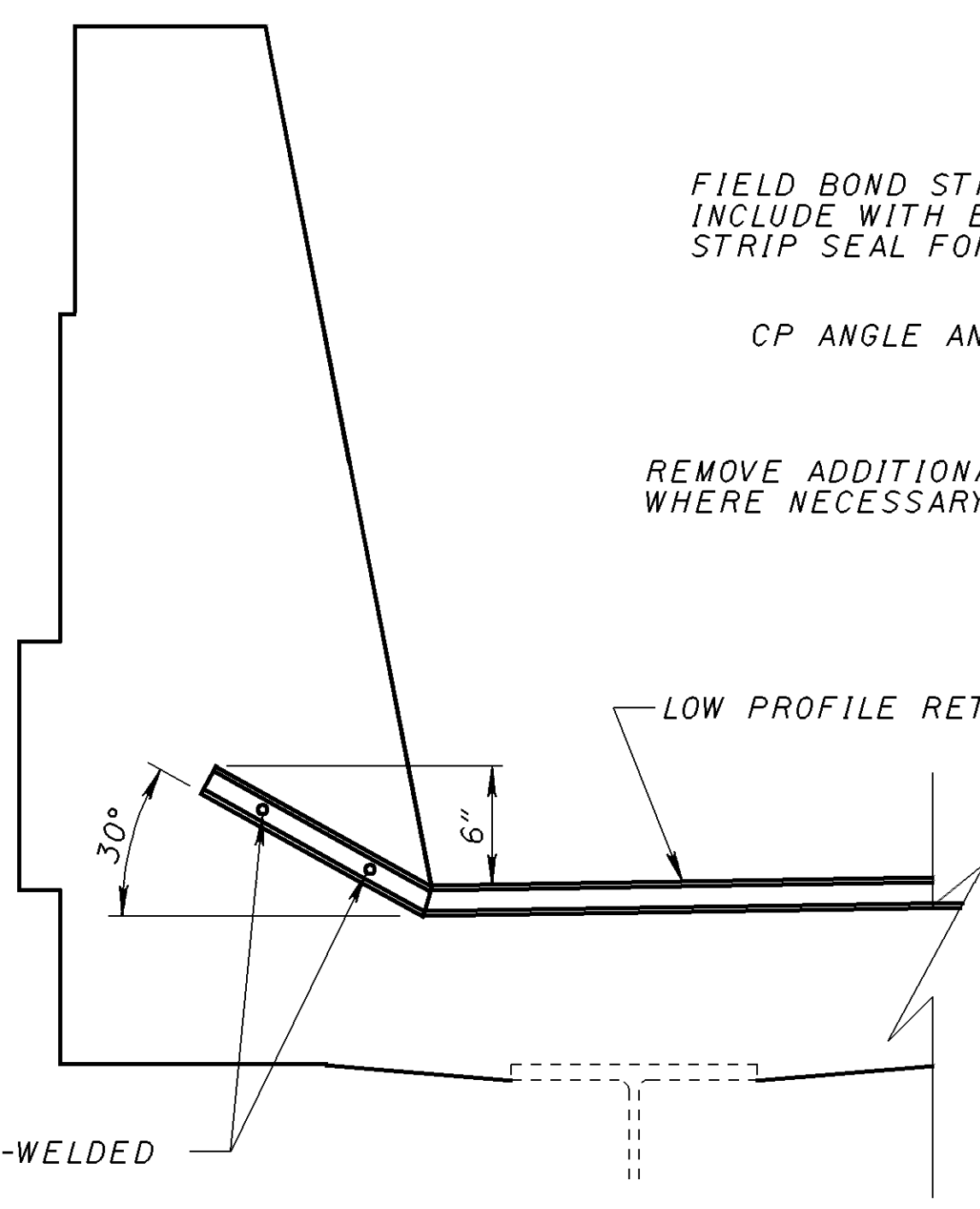
PROJECTS \ P18391B \ B&N \ PLANS \ 18391SCB.DGN  
 14 AUG 20



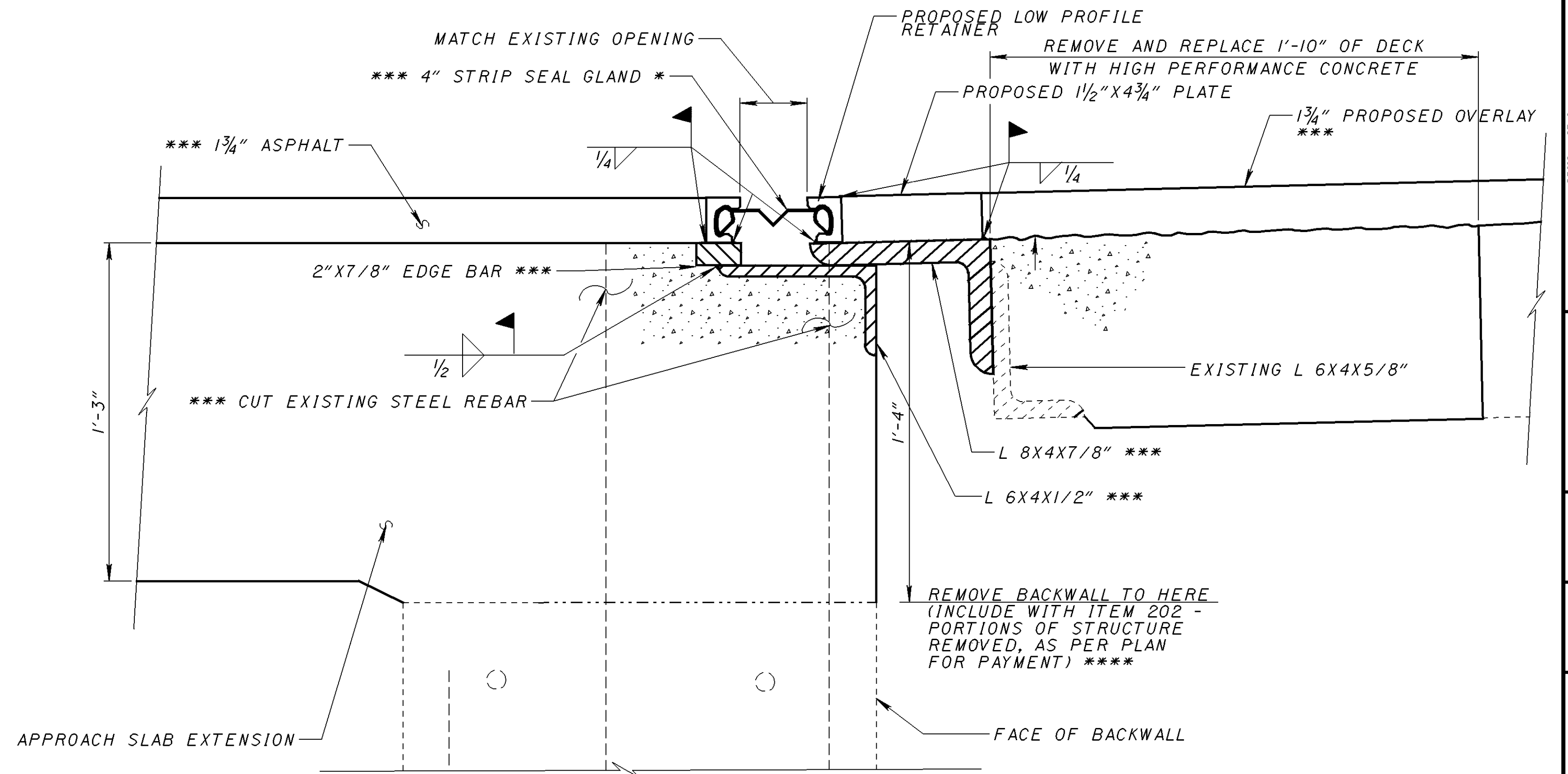
**BARRIER ELEVATION AT JOINT**



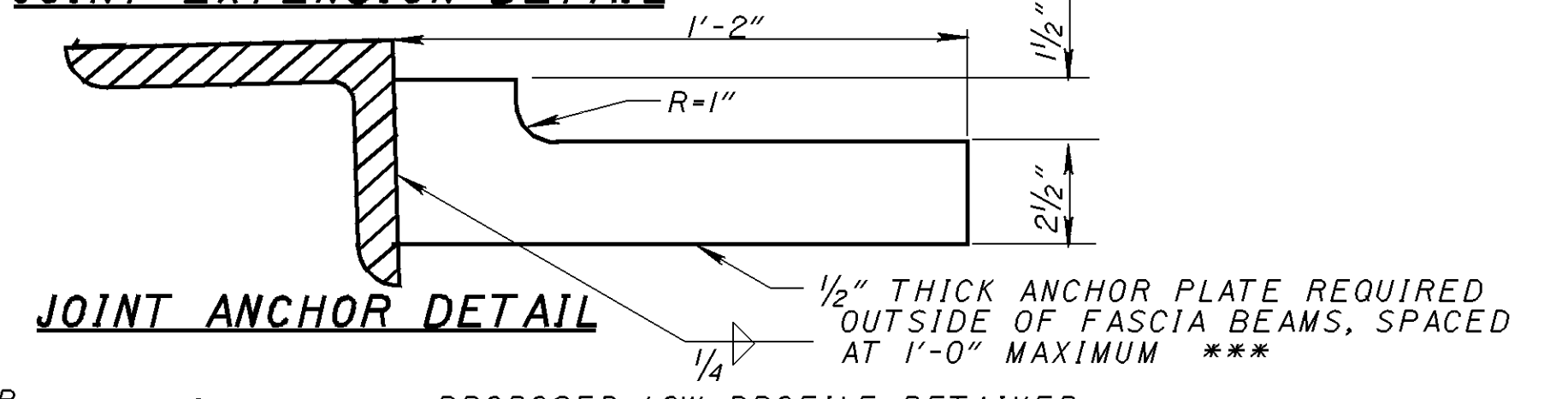
**SECTION A-A**



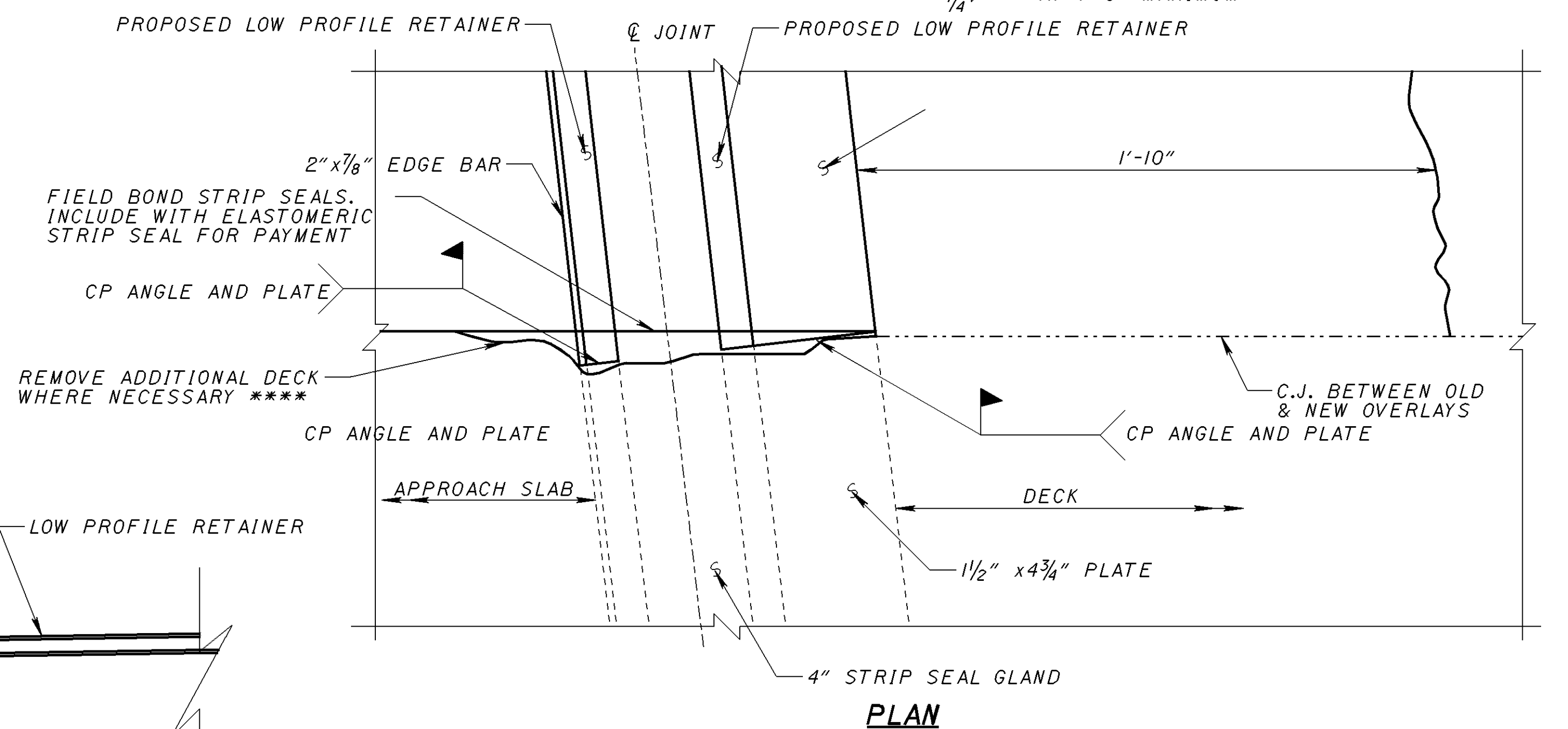
**VIEW B-B**



**JOINT EXTENSION DETAIL**



**JOINT ANCHOR DETAIL**



**PLAN**

**NOTES:**

- \* REFER TO STD. DWGS. EXJ-4-87 FOR ADDITIONAL EXPANSION JOINT DETAILS. THE CONTRACTOR SHALL VERIFY THE EXISTING STRIP SEAL MANUFACTURER AND PROVIDE THE SAME.
- \*\* EXISTING DECK LONGITUDINAL AND TRANSVERSE REINFORCING STEEL IS TO BE PROTECTED AND REUSED. IF DAMAGED, NEW REINFORCING STEEL OF THE SAME SIZE SHALL BE DOWELED WITH THE APPROPRIATE DEVELOPMENT LENGTH.
- \*\*\* PROPOSED

**LEGEND:**

- F.F. = FRONT FACE
- R.F. = REAR FACE
- CP = COMPLETE PENETRATION BUTT WELD

DESIGN AGENCY BURGESS & NIPLE 100 WEST ERIE STREET PAINESVILLE, OHIO 44077	DATE 2-28-01	REVIEWED DWL	STRUCTURE FILE NUMBER 4302702
DRAWN MKB	CHECKED SCT	DESIGNED MKB	REVISED
<b>JOINT DETAILS</b> BRIDGE NO. LAK-44-0510 JACKSON STREET OVER STATE ROUTE 44			
LAKE COUNTY LAK-2/44-13.05/4.14			
6 / 8			85F 93