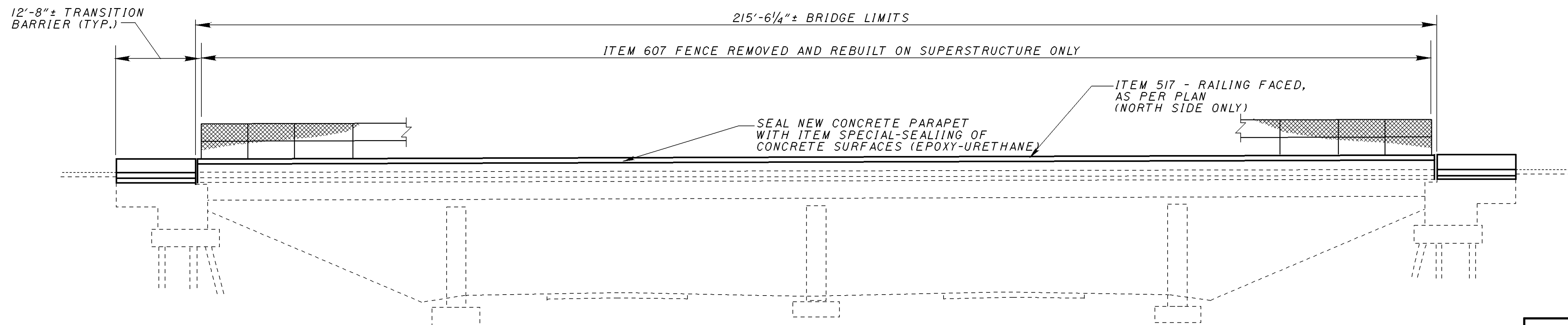


PLAN



NORTH ELEVATION

EXISTING STRUCTURE
TYPE: CONTINUOUS STEEL BEAM WITH REINFORCED CONCRETE DECK AND SUBSTRUCTURE.
SPANS: 43'-6"±, 62'±, 62'±, 43'-6"± C/C BEARINGS
ROADWAY: 33'-0" T/T OF BARRIER SPLASH GUARD AND PARAPET
SKEW: 6°32'30" RIGHT FORWARD
LOADING: CF-400 (57)
DATE BUILT: 1963
APPROACH SLABS: AS-I-54 MODIFIED (25' LONG)
SFN: 4302702
WEARING SURFACE: 1 3/4" SUPERPLASTICIZED DENSE CONCRETE
ALIGNMENT: TANGENT

FILES: I:\PROJECTS\PI8391\B&N\PLANS\18391SPA.DGN 14-AUG-2001 11:33PM fkonopka

DESIGN AGENCY
BURGESS & NIPLE
100 WEST ERIE STREET PAINESVILLE, OHIO 44077

DATE	2-28-01
REVIEWED	DWL
STRUCTURE FILE NUMBER	4302702
DRAWN	SCT
DESIGNED	SCT
CHECKED	ENF
REVISED	

PLAN AND ELEVATION
BRIDGE NO. LAK-44-0510
JACKSON STREET OVER STATE ROUTE 44

LAKE COUNTY
LAK-2/44-13.05/4.14

1/8

85A
93