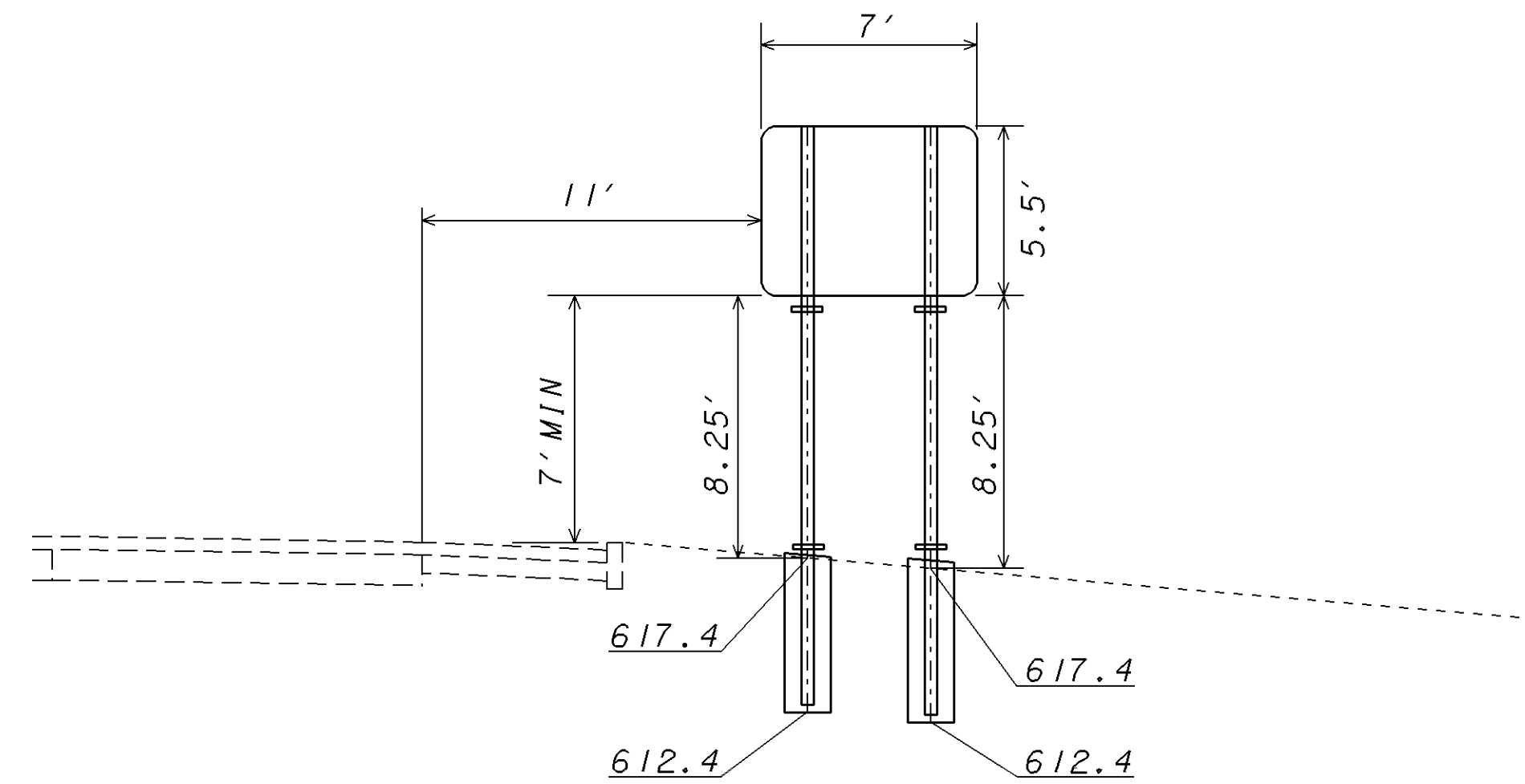


STA 71+20 SR-44, NB
2-S4X7.7 BEAM SUPPORTS
WITH BREAKAWAY CONNECTIONS

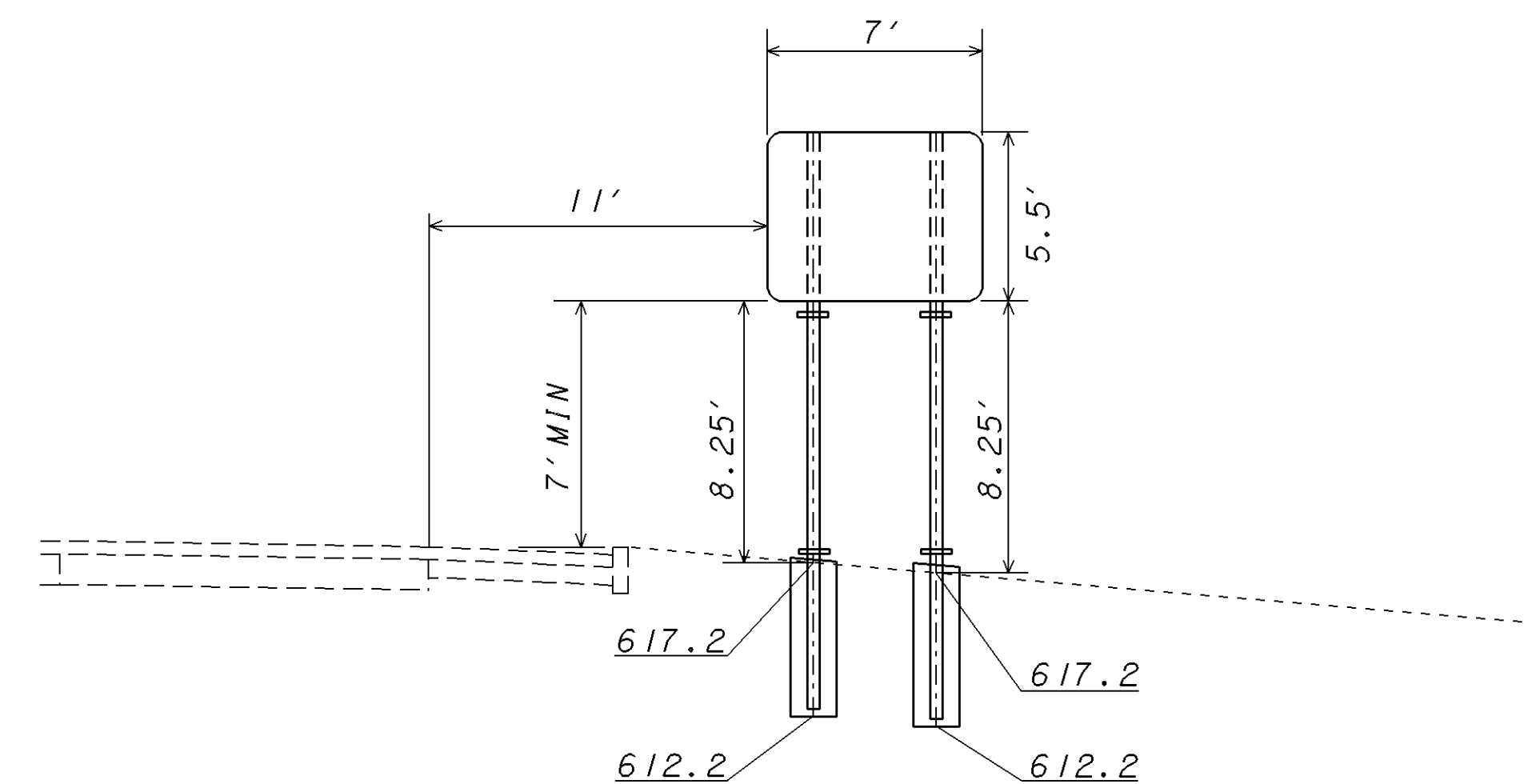
22



STA 27+25 SR-283, EB
2-W6X9 BEAM SUPPORTS
WITH BREAKAWAY CONNECTIONS

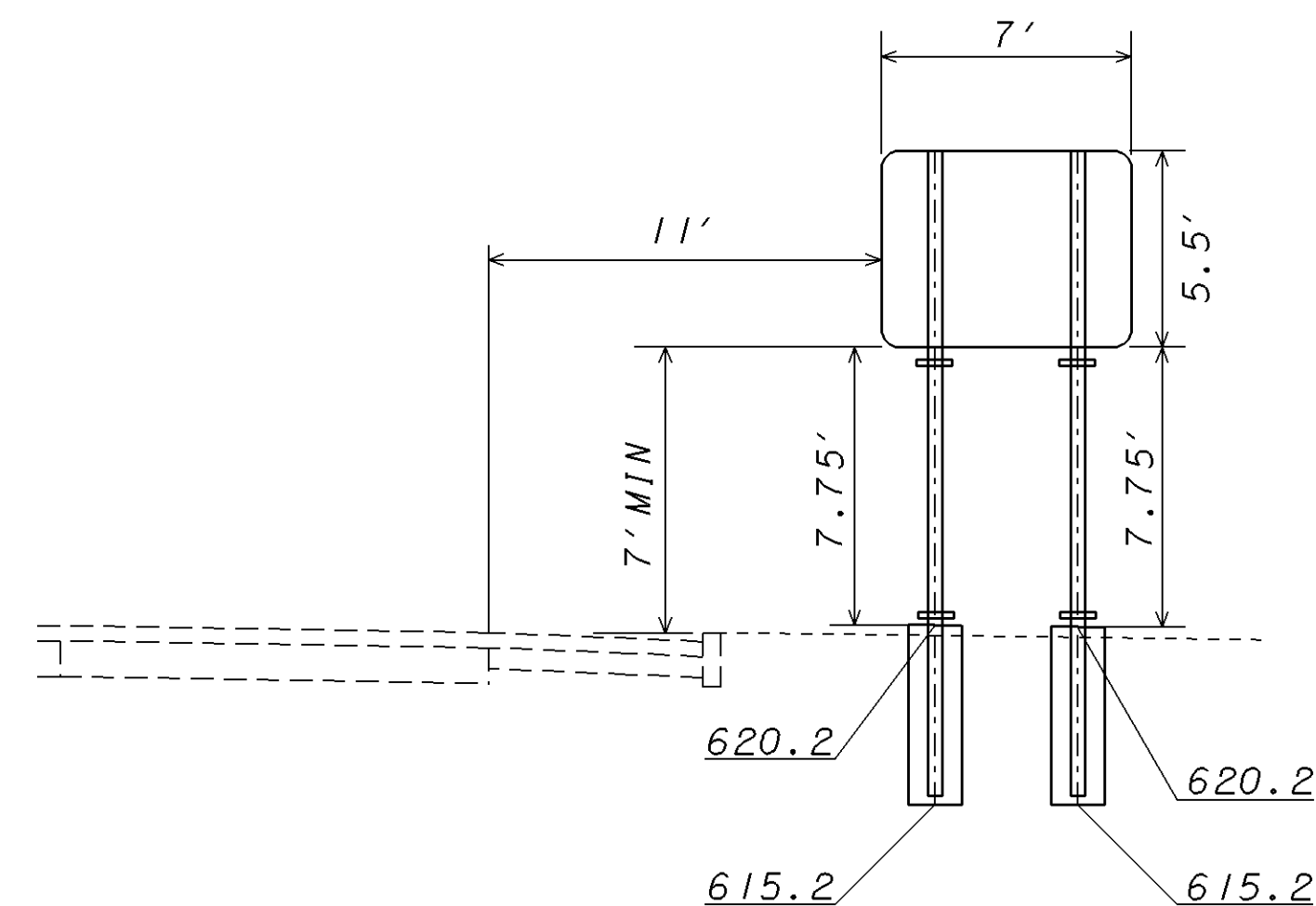
29

NOTE: ELEVATION VIEW FACING
UPSTATION OF SR-283
VIEWING BACK OF SIGN



STA 25+75 SR-283, EB
2-W6X9 BEAM SUPPORTS
WITH BREAKAWAY CONNECTIONS

28



STA 33+20 SR-283, WB
2-W6X9 BEAM SUPPORTS
WITH BREAKAWAY CONNECTIONS

30

NOTE: ELEVATION VIEW FACING
DOWNSTATION OF SR-283
SAME SIZE SIGN WITH SAME
LEGEND ATTACHED TO
OPPOSITE SIDE OF SUPPORT

PLOTTED FROM: I:\PROJECTS\18391\dgn\18391tea.dgn

CALCULATED
EMK
10
CHECKED
LDH
SCALE IN FEET

SIGN ELEVATION VIEWS

LAKE COUNTY
LAK-2/44-13.05/4.14

84
93