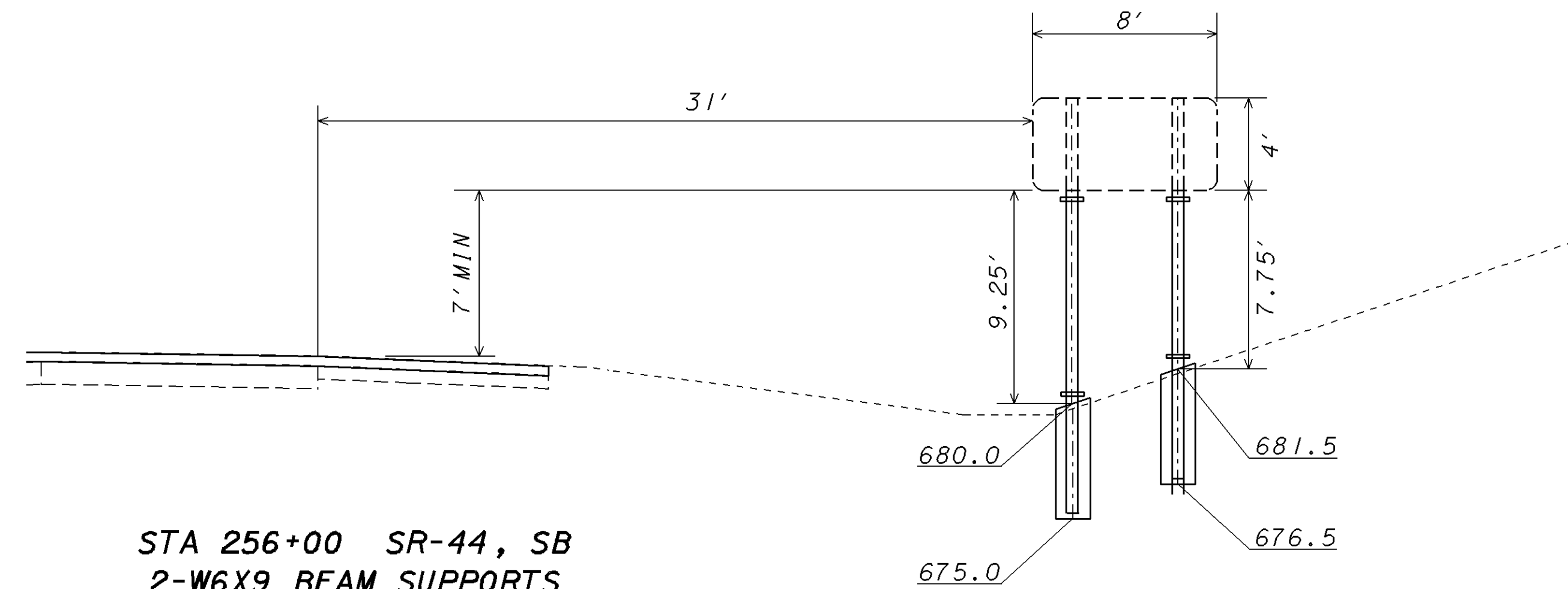
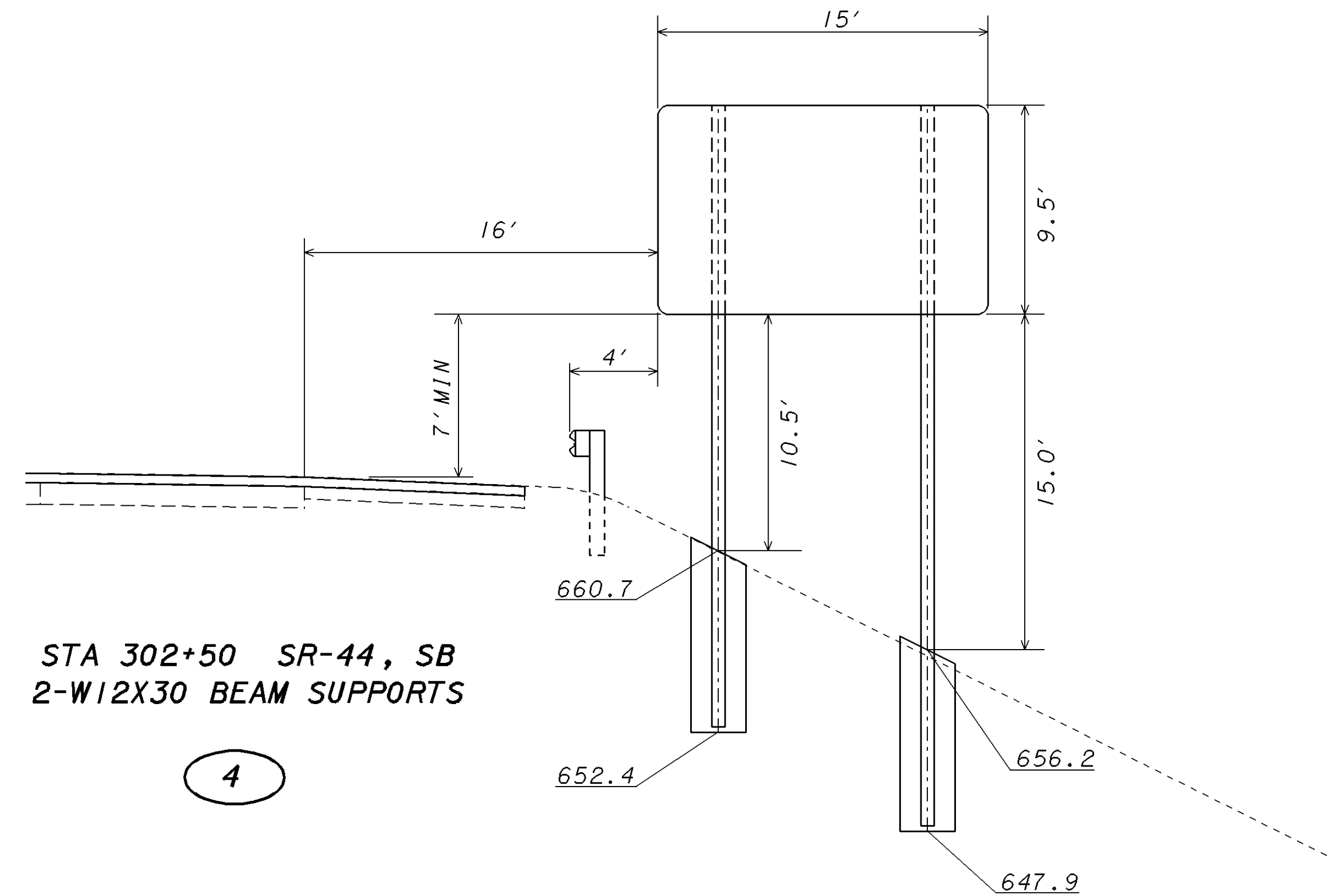


PLOTTED FROM: I:\PROJECTS\18391\dgn\18391tea.dgn



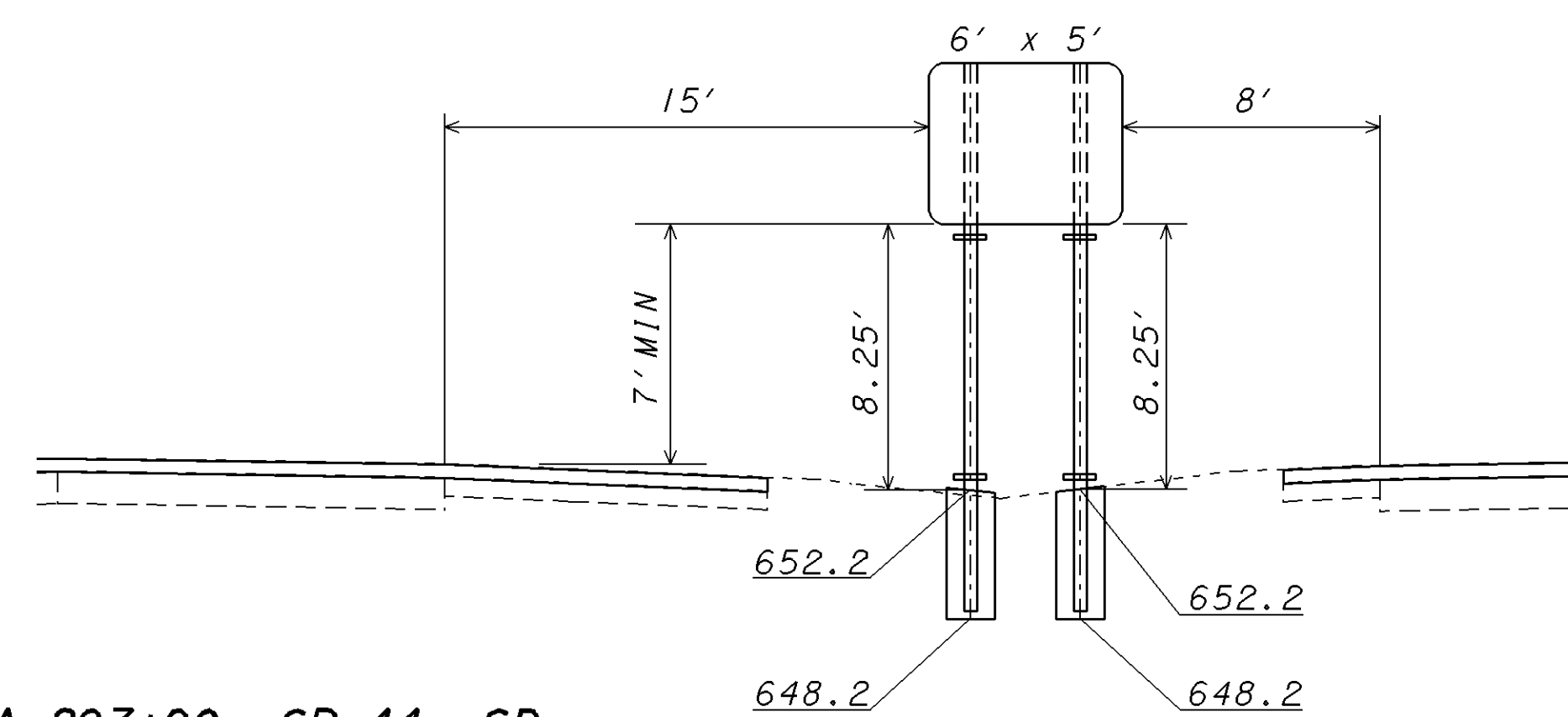
STA 256+00 SR-44, SB
2-W6X9 BEAM SUPPORTS
WITH BREAKAWAY CONNECTIONS

2



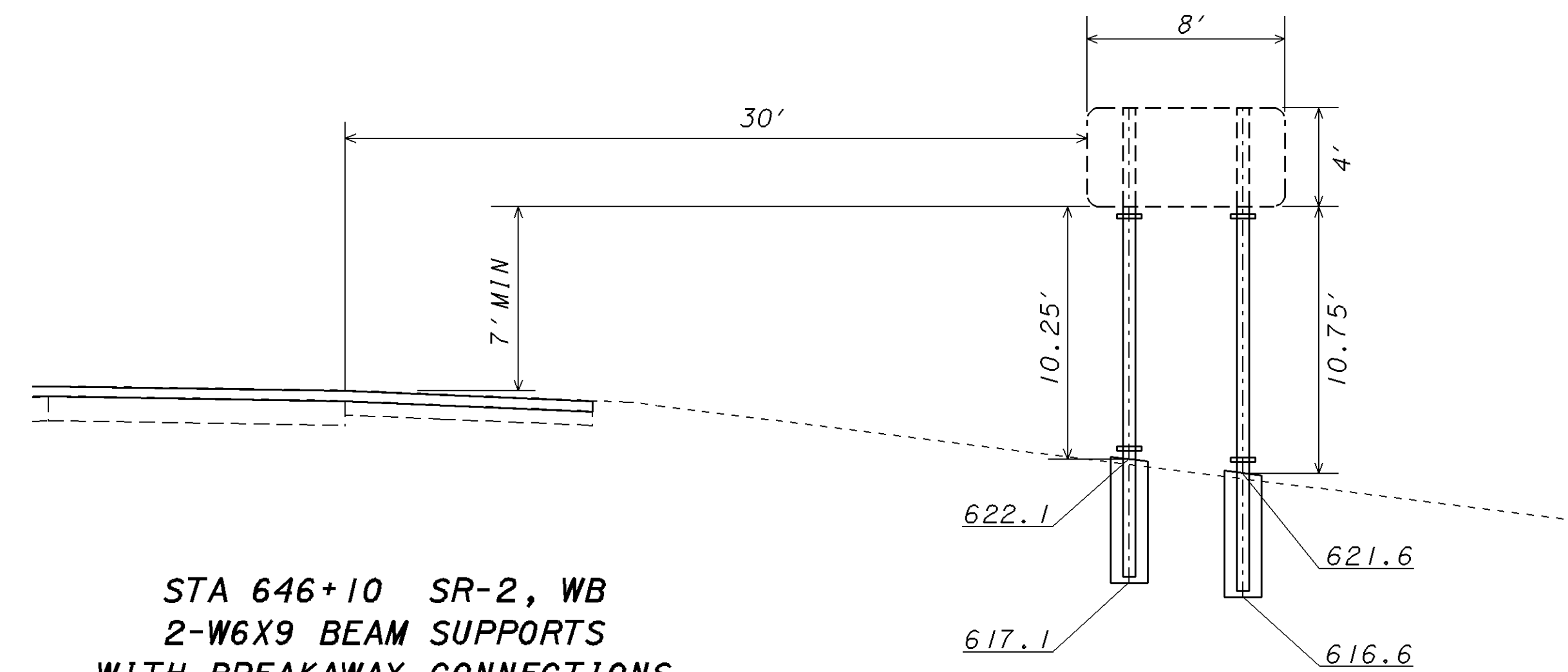
STA 302+50 SR-44, SB
2-W12X30 BEAM SUPPORTS

4



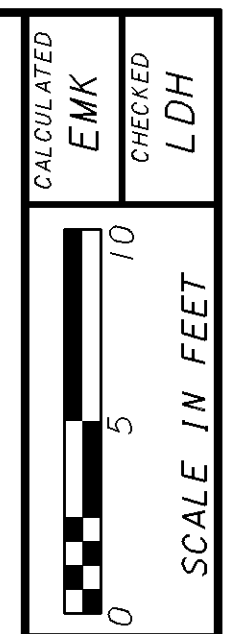
STA 293+90 SR-44, SB
2-S4X7.7 BEAM SUPPORTS
WITH BREAKAWAY CONNECTIONS

3



STA 646+10 SR-2, WB
2-W6X9 BEAM SUPPORTS
WITH BREAKAWAY CONNECTIONS

16



SIGN ELEVATION VIEWS

LAKE COUNTY
LAK-2/44-13.05/4.14