

ITEM 606 - IMPACT ATTENUATOR, TYPE 1-98 (UNIDIRECTIONAL OR BIDIRECTIONAL)

THIS ITEM SHALL CONSIST OF FURNISHING AND INSTALLING EITHER OF THE FOLLOWING IMPACT ATTENUATORS:

1) THE C-A-T MANUFACTURED BY SYRO, INC., 1170 N. STATE STREET, GIRARD, OHIO 44420 (TELEPHONE: 330.545-4373).

THE LENGTH OF THE C-A-T SYSTEM IS CONSIDERED TO BE 31.25 FT. LONG. INSTALLATION SHALL BE AT THE LOCATIONS SPECIFIED IN THE PLANS, IN ACCORDANCE WITH THE MANUFACTURER'S SPECIFICATIONS AS DETAILED ON THE FOLLOWING PRE-APPROVED SHOP DRAWINGS:

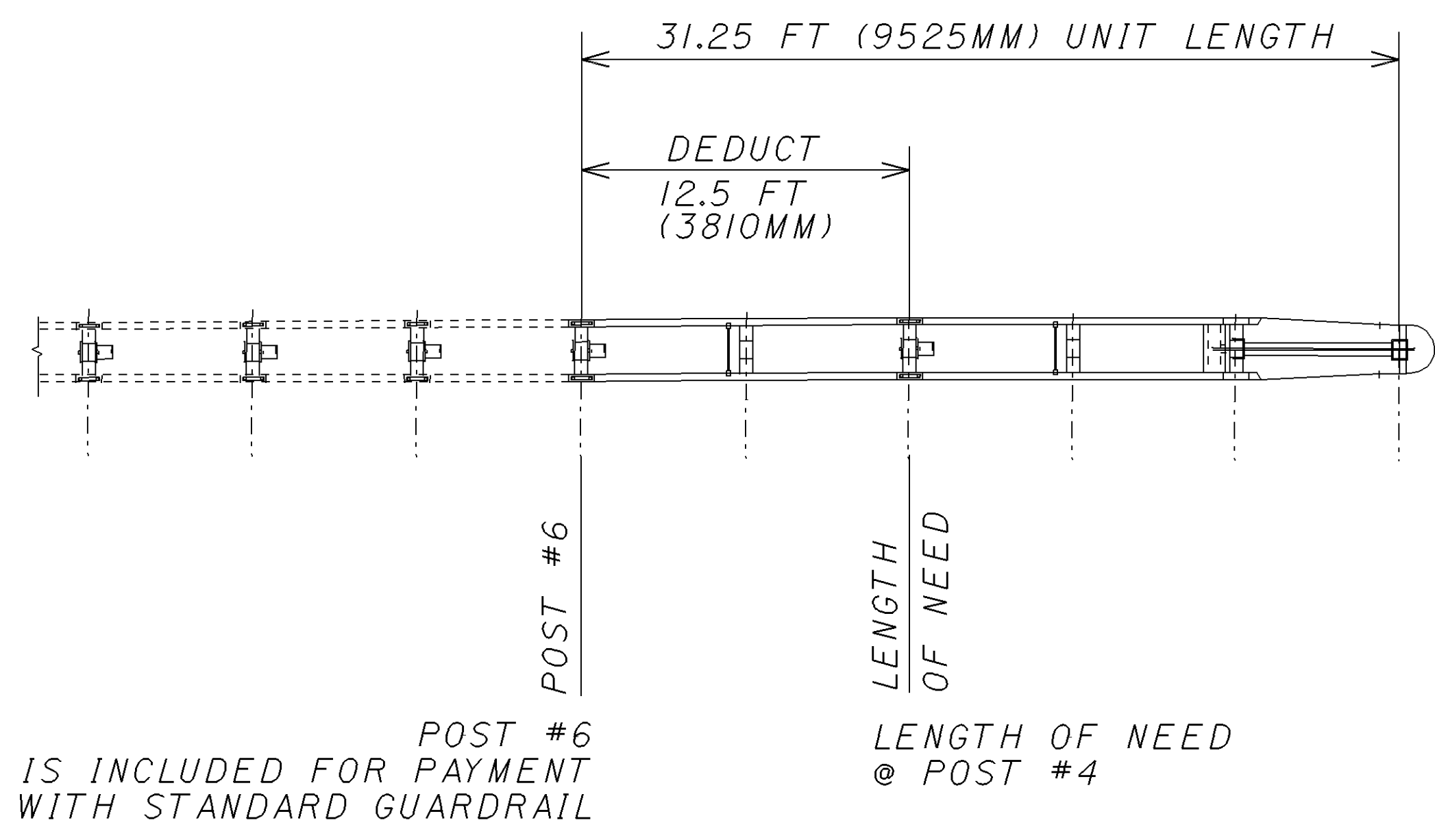
| DWG. # | DRAWING NAME | DWG./REV. DATE | ODOT APPROVAL |
|--------|--|----------------|---------------|
| SS245M | CRASH-CUSHION ATTENUATING TERMINAL PLAN, ELEVATION & SECTIONS. FOR USE AS A LONGITUDINAL MEDIAN BARRIER TERMINAL OR CRASH CUSHION ATTENUATOR | 4-10-97 | 3-6-98 |
| SS224M | C-A-T TRANSITION TO MEDIAN BARRIER GUARDRAIL PLAN, ELEVATION & SECTIONS. | 4-26-96 | 3-6-98 |
| SS226M | C-A-T TRANSITION TO VERTICAL WALL OR PIER PLAN, ELEVATION & SECTIONS. | 4-26-96 | 3-6-98 |

2) THE BREAKMASTER MANUFACTURED BY ENERGY ABSORPTION SYSTEMS, INC., ONE EAST WACKER DRIVE, CHICAGO, IL 60601 (TELEPHONE: 312.467-6750).

THE LENGTH OF THE BREAKMASTER IS CONSIDERED TO BE 32'-8" LONG. INSTALLATION SHALL BE AT THE LOCATIONS SPECIFIED IN THE PLANS, IN ACCORDANCE WITH THE MANUFACTURER'S SPECIFICATIONS AS DETAILED ON THE FOLLOWING PRE-APPROVED SHOP DRAWINGS:

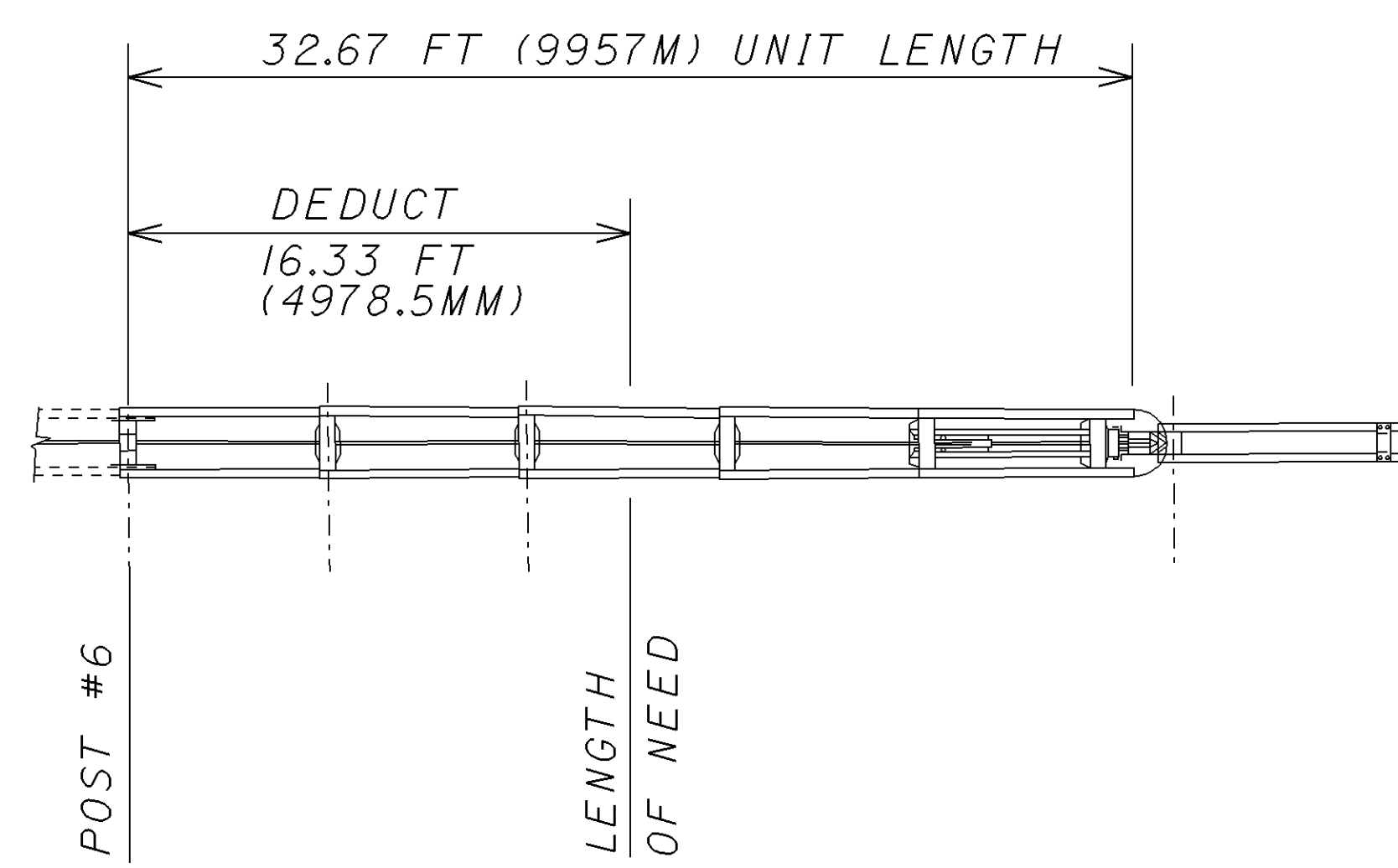
| DWG. # | DRAWING NAME | DWG./REV. DATE | ODOT APPROVAL |
|--------------|--|----------------|---------------|
| 92-00-01 | BREAKMASTER GENERAL ASSEMBLY (UNIDIRECTIONAL SYSTEM) | 3-6-97 | 3-6-98 |
| 92-00-81 | BREAKMASTER (UNIDIRECTIONAL) WITH FOUNDATION TUBES | 2-9-98 | 3-6-98 |
| 92-00-02 | BREAKMASTER GENERAL ASSEMBLY (BIDIRECTIONAL SYSTEM) | 3-10-97 | 3-6-98 |
| 92-00-82 | BREAKMASTER (BIDIRECTIONAL) WITH FOUNDATION TUBES | 2-9-98 | 3-6-98 |
| 9202024-0000 | ANCHOR ASSEMBLY, FOUNDATION TUBE, 6 1/2 FT., BRS | 6-12-97 | 3-6-98 |

THE FACE OF THE TYPE 1-98 IMPACT HEAD SHALL BE COVERED WITH A SHEET OF TYPE G REFLECTIVE SHEETING, PER CMS 730.19, APPROXIMATELY 36" x 12" (915 mm W x 305 mm H). PAYMENT FOR THE ABOVE WORK SHALL BE MADE AT THE UNIT PRICE FOR ITEM 606, IMPACT ATTENUATOR, TYPE 1-98 (UNIDIRECTIONAL OR BIDIRECTIONAL), EACH, AND SHALL INCLUDE ALL LABOR, TOOLS, EQUIPMENT AND MATERIALS NECESSARY TO CONSTRUCT A COMPLETE AND FUNCTIONAL IMPACT ATTENUATOR SYSTEM, INCLUDING ALL RELATED TRANSITIONS, HARDWARE, REFLECTIVE SHEETING AND GRADING, NOT SEPERATELY SPECIFIED, AS REQUIRED BY THE MANUFACTURER.



POST #6 IS INCLUDED FOR PAYMENT WITH STANDARD GUARDRAIL

C-A-T



POST #6 IS INCLUDED FOR PAYMENT WITH STANDARD GUARDRAIL

BRAKEMASTER