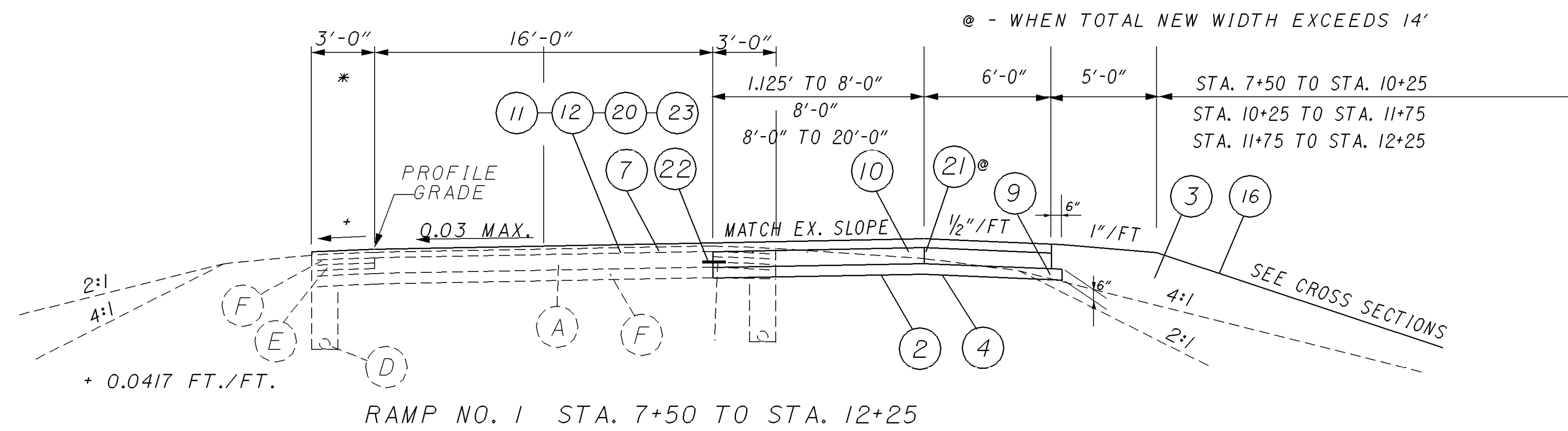
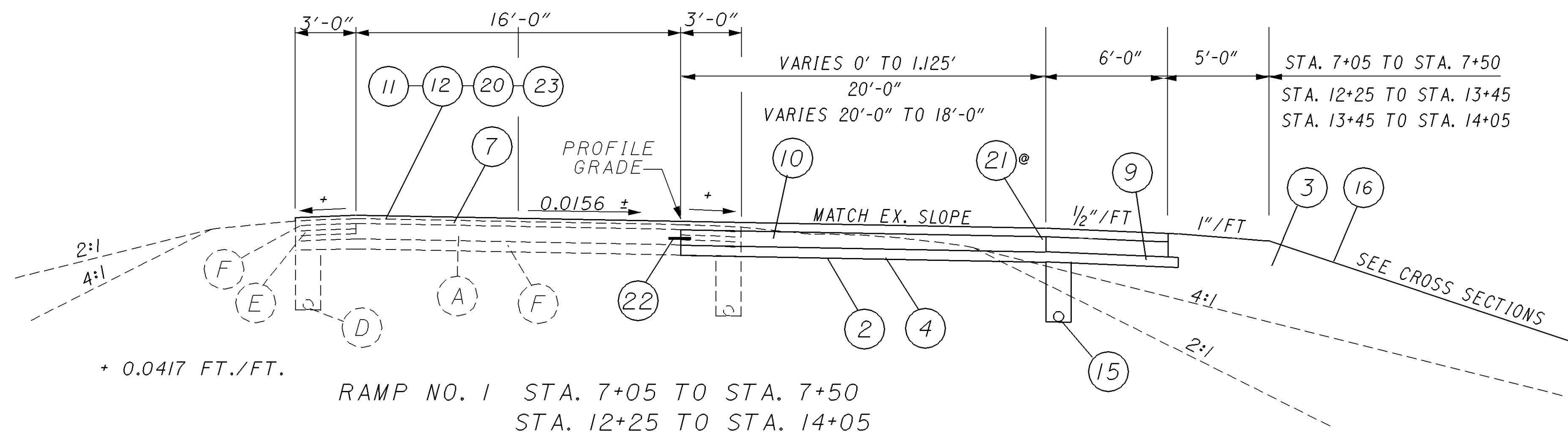


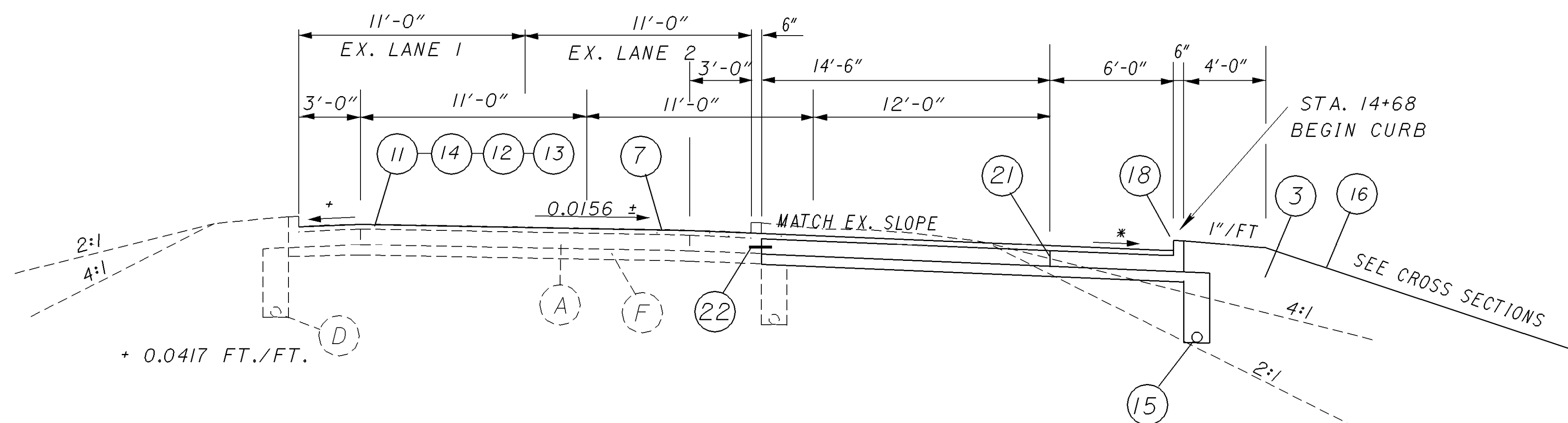
J:\PROJECTS\PI1839\B&N\PLANS\21365GY.DGN 14-AUG-2001 12:54PM fkonopka



RAMP NO. 1 STA. 7+50 TO STA. 12+25



RAMP NO. 1 STA. 7+05 TO STA. 7+50
STA. 12+25 TO STA. 14+05



RAMP NO. 1 STA. 14+05 TO STA. 15+20

* - VARIES, 1/2"/FT TO 3/16"/FT.

RAMP No. 1 TYPICAL SECTIONS