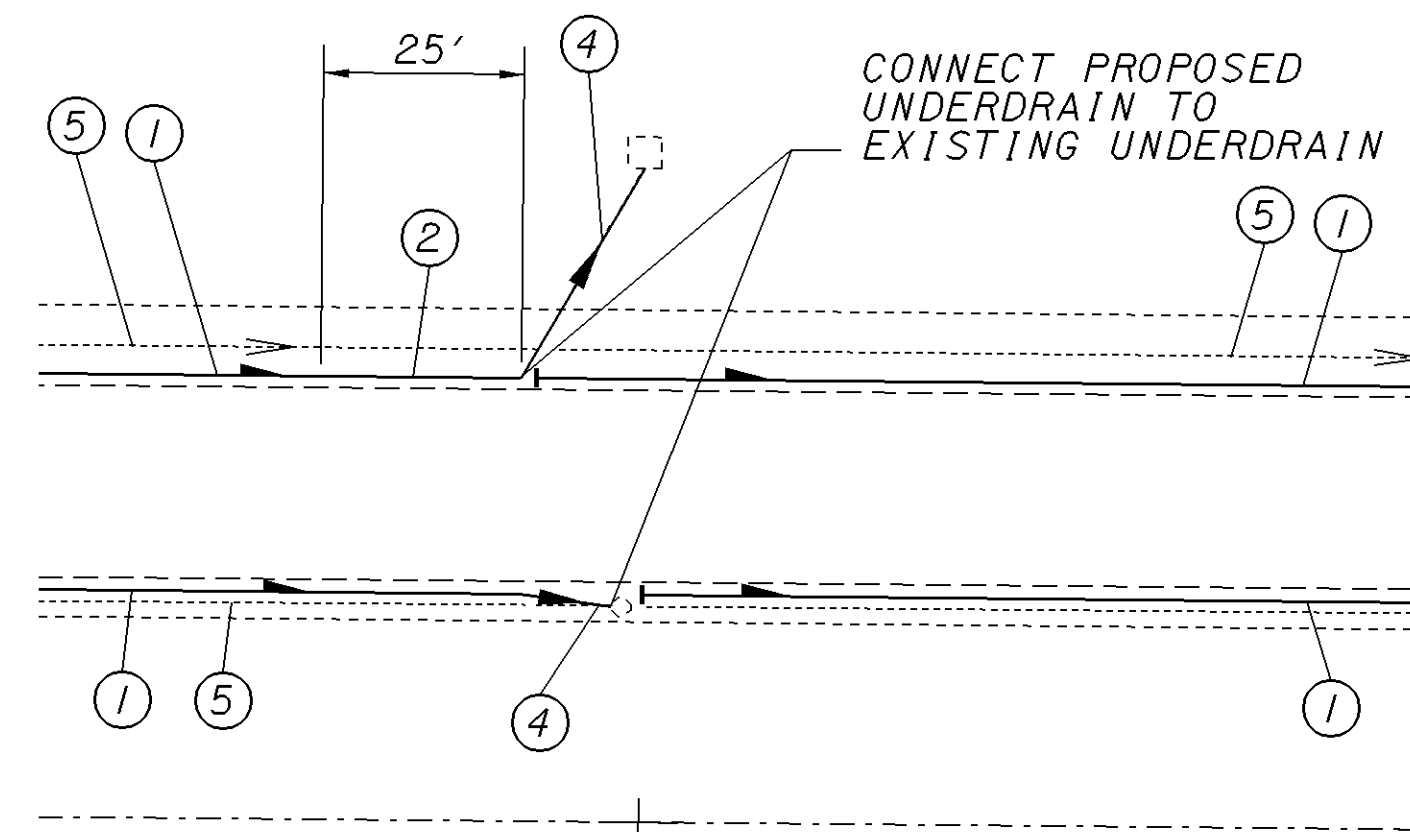
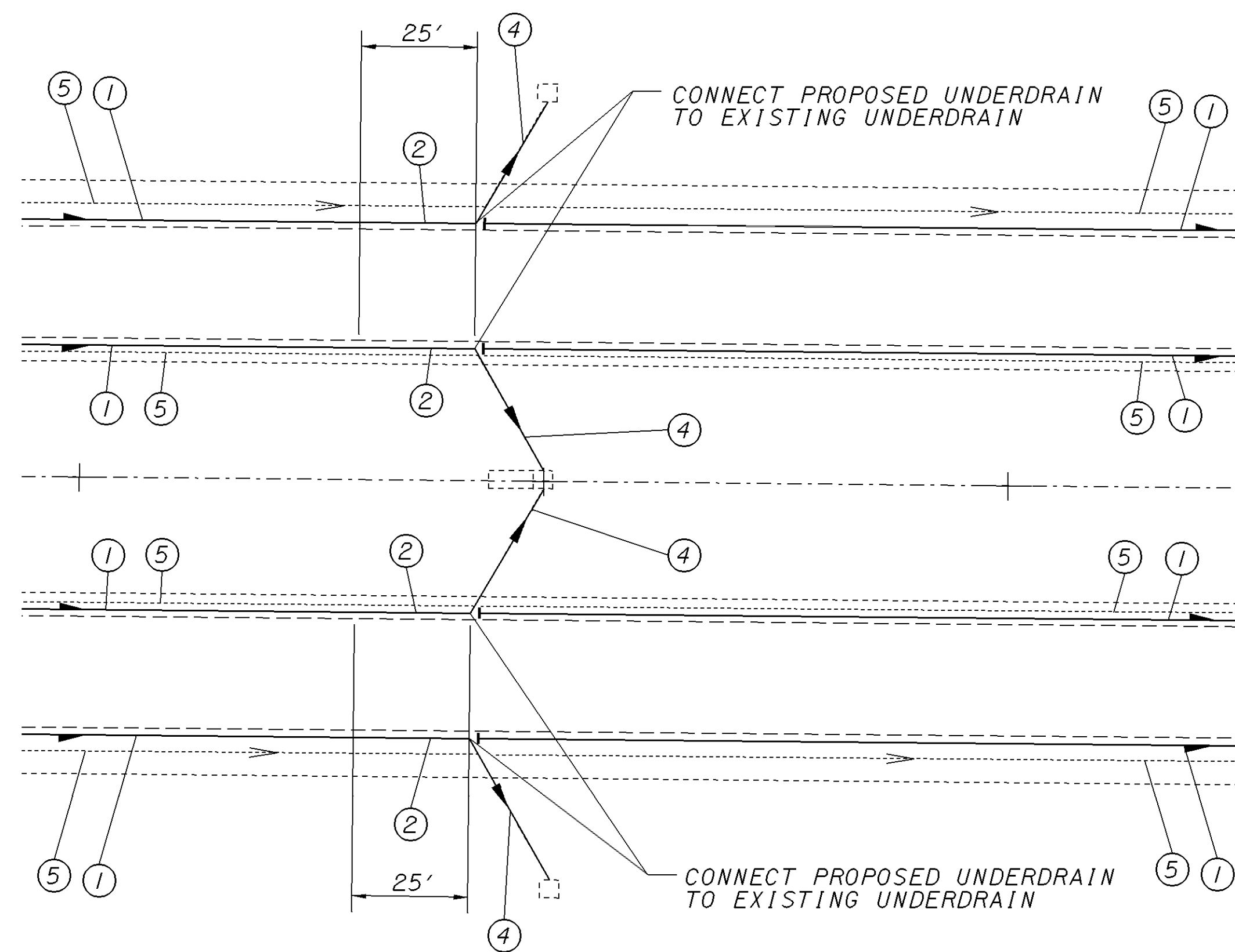
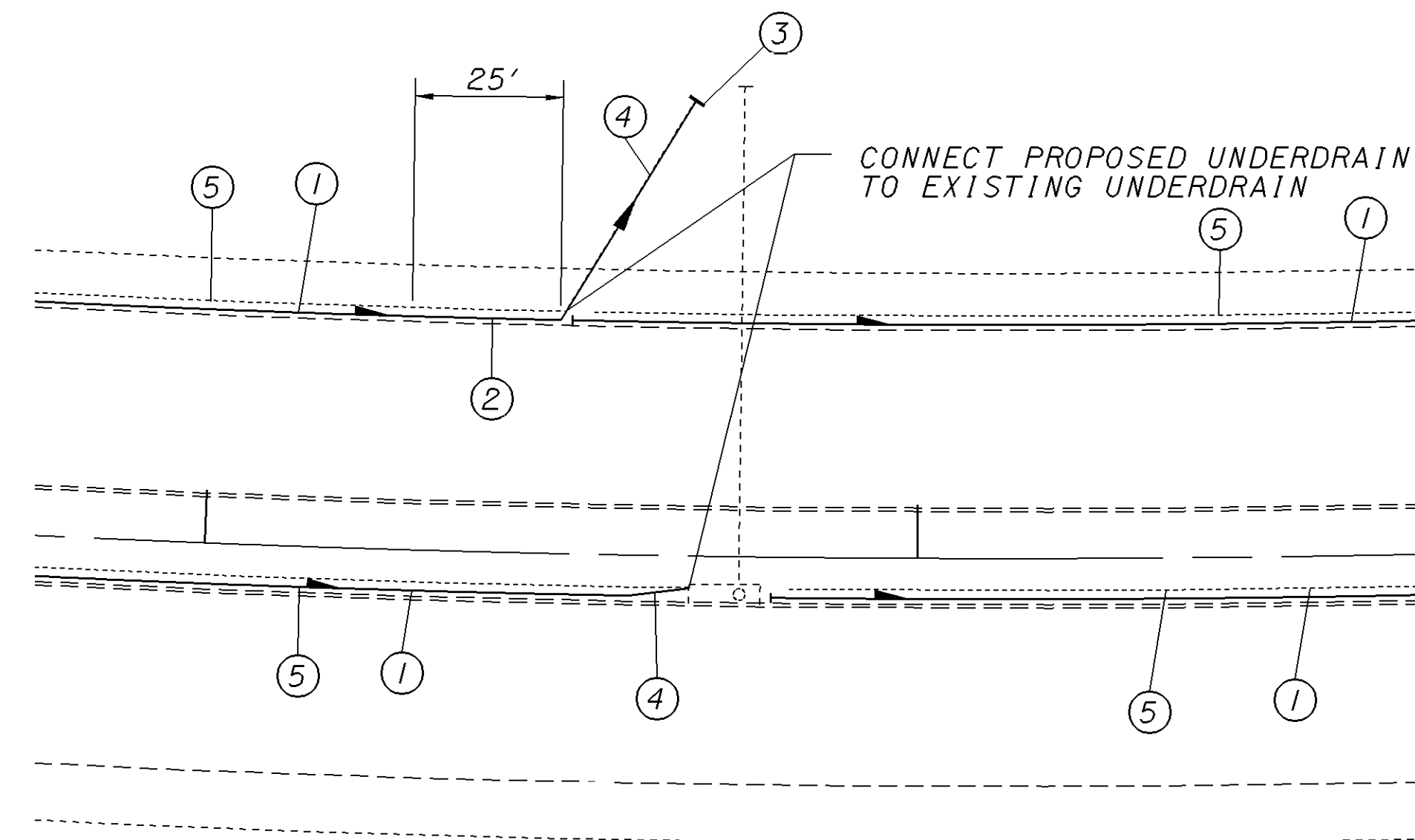
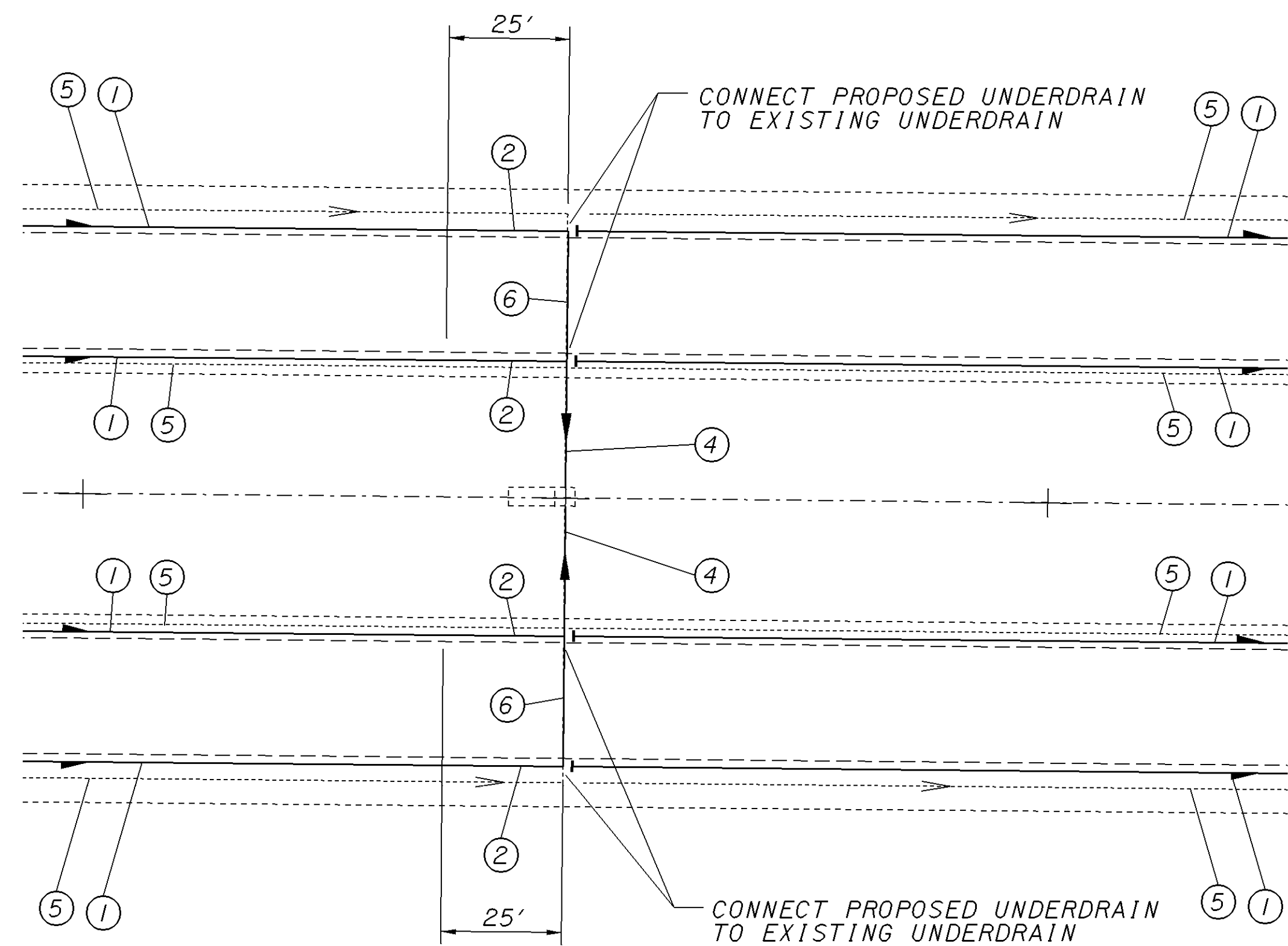


PLOTTED FROM: I:\PROJECTS\18391\dgn\18391cmd.dgn



LEGEND

- ① - 6" SHALLOW PIPE UNDERDRAIN WITH FABRIC WRAP, AS PER PLAN
- ② - 6" UNCLASSIFIED PIPE UNDERDRAIN WITH FABRIC WRAP, AS PER PLAN
- ③ - PRECAST REINFORCED CONCRETE OUTLET
- ④ - 6" CONDUIT, TYPE F, 707.14 NON-PERFORATED ASTM D3034, SDR35, 707.42 OR 707.33
- ⑤ - EXISTING 6" PIPE UNDERDRAIN
- ⑥ - CONDUIT BORED OR JACKED: 6", TYPE B

CALCULATED
EMK
CHECKED
LDH

UNDERDRAIN OUTLET DETAILS

LAKE COUNTY
LAK-2 / 44-13.05 / 4.14