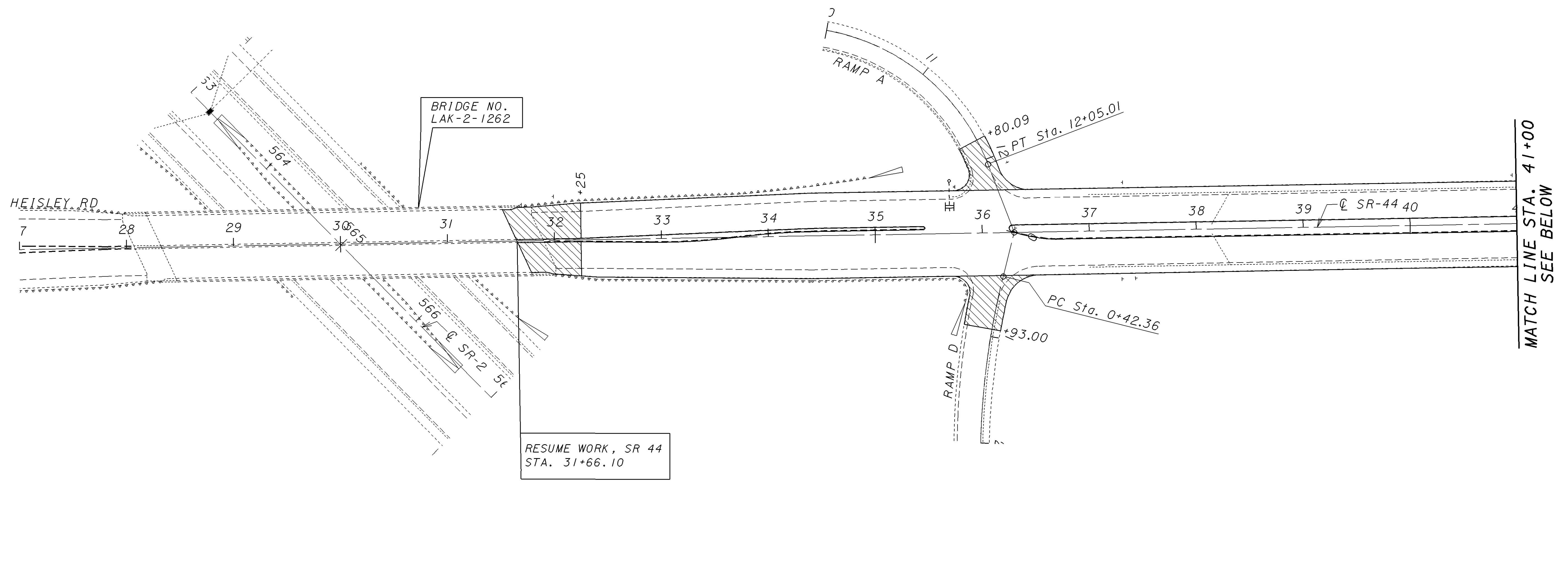


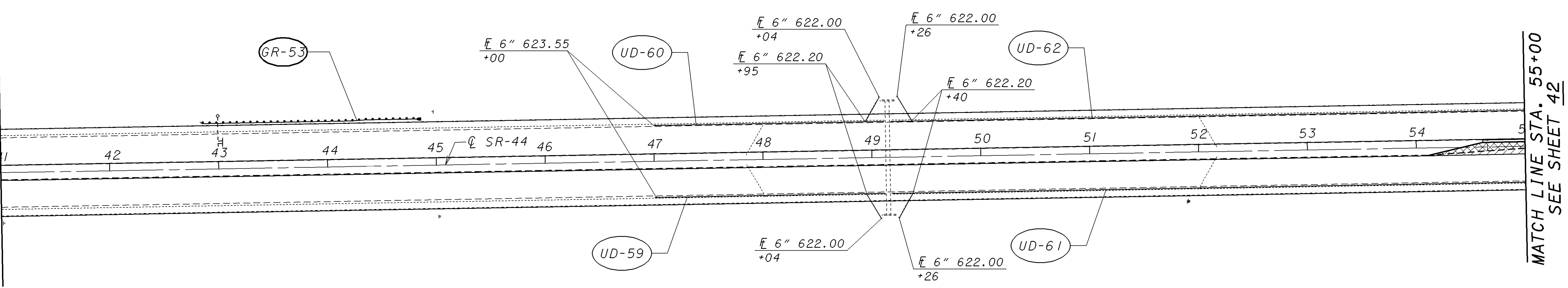
PLOTTED FROM: I:\PROJECTS\18391\dgn\18391gp.jxdgn

MATCH LINE STA. 41+00
SEE ABOVE



MATCH LINE STA. 41+00
SEE BELOW

MATCH LINE STA. 41+00
SEE ABOVE



MATCH LINE STA. 55+00
SEE SHEET 42

- ASPHALT OVERLAY TRANSITION
- PAVEMENT REMOVAL AND REPLACEMENT
- LEFT TURN LANE PAVEMENT

CROSS REFERENCE	
ITEM	SHEET
RESURFACING	27, 28
GUARDRAIL	29, 30
GUARDRAIL DETAILS	54-62
TRAFFIC CONTROL	76
FEATHER DETAIL	52
UNDERDRAIN QTY	31

SCALE IN FEET

CALCULATED	EMK	CHECKED	LDH
------------	-----	---------	-----

PLAN SHEET - S.R. 44

STA. 36+30 TO STA. 55+00

LAKE COUNTY

LAK-2 / 44-13.05 / 4.14

41
93