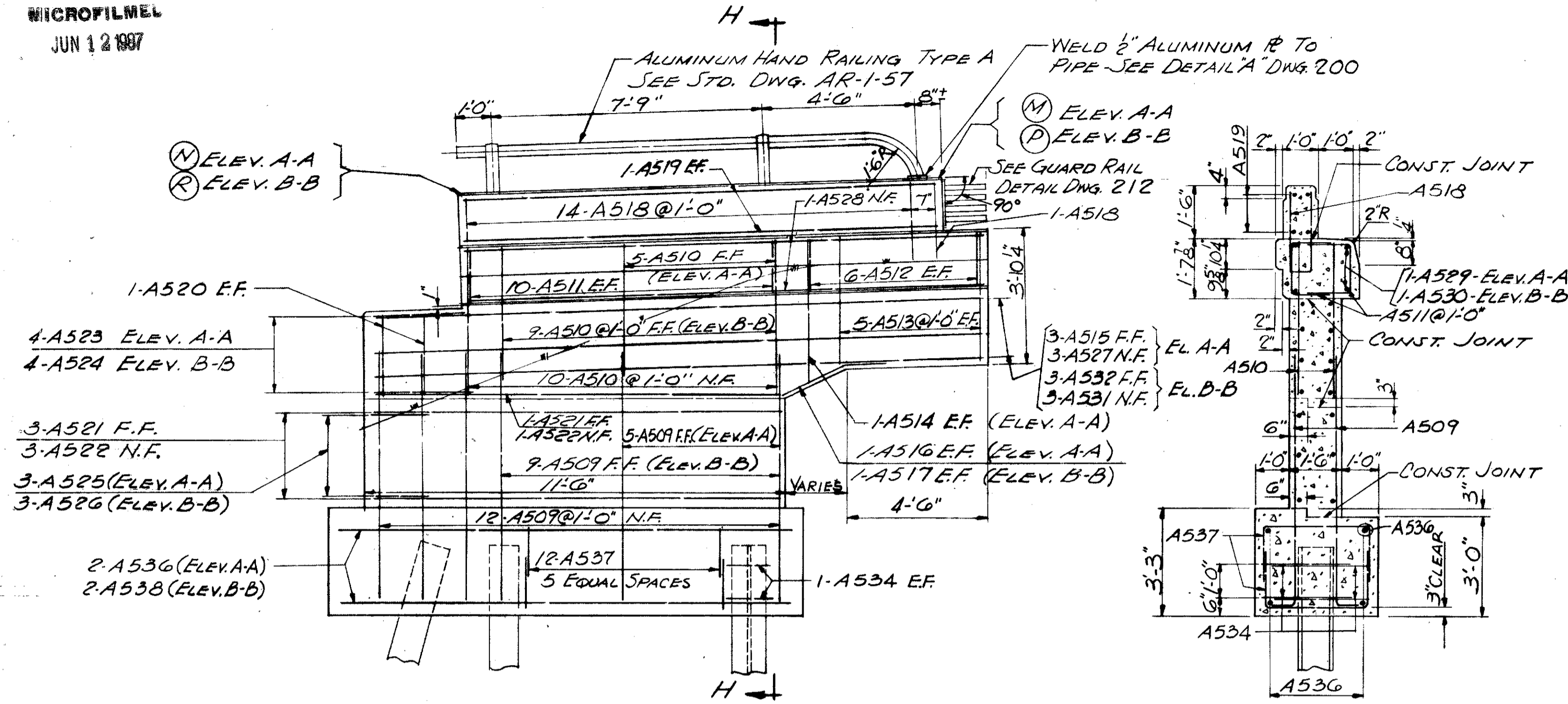


MICROFILMED
JUN 12 1987



ELEVATION A-A (AS SHOWN)
ELEVATION B-B (OPPOSITE AS NOTED)

SECTION H-H

NOTE:
ELEVATIONS A-A & B-B, SECTIONS
D-D, E-E, F-F & G-G ARE TAKEN
FROM DWG. 200

REINFORCING STEEL LIST

MARK	No. REQD	LENGTH	SHAPE	WEIGHT	BENDING DIAGRAM
FOUR ABUTMENTS					
AG01	184	14'3"	BENT	3940	
AG02	64	26'10"	STR.	2580	
TWO SUPERSTRUCTURES					
A501	48	25'8"	STR.	1285	
A502	40	25'10"	STR.	1075	
A503	372	6'11"	BENT	2685	
A504	120	6'3"	BENT	783	
A505	16	6'4"	STR.	106	
A506	8	2'0"	BENT	17	
A507	24	4'6"	Z	113	
A508	24	5'0"	Z	125	
A509	152	7'10"	BENT	1241	
A510	140	3'10"	STR.	560	
A511	160	3'8"	BENT	613	
A512	96	2'6"	BENT	251	
A513	80	3'6"	STR.	293	
A514	8	3'8"	STR.	31	
A515	12	13'6"	STR.	169	
A516	8	4'0"	BENT	33	
A517	8	3'0"	BENT	25	
A518	120	4'11"	BENT	616	
A519	32	13'7"	STR.	*	
A520	32	2'3"	Z	75	
A521	32	8'0"	Z	267	
A522	32	11'0"	STR.	367	
A523	16	4'0"	BENT	67	
A524	16	4'0"	Z	67	
A525	12	3'0"	Z	38	
A526	12	3'0"	BENT	38	
A527	12	17'6"	STR.	219	
A528	16	14'8"	STR.	245	
A529	8	12'3"	BENT	119	
A530	8	15'4"	BENT	128	
A531	12	16'6"	STR.	207	
A532	12	14'0"	STR.	176	
A533	360	8'9"	BENT	3285	
A534	128	7'7"	BENT	1013	
A535	8	6'4"	STR.	52	
A536	16	11'6"	STR.	192	
A537	96	6'0"	BENT	600	
A538	16	12'0"	STR.	200	
TOTAL				23,876	

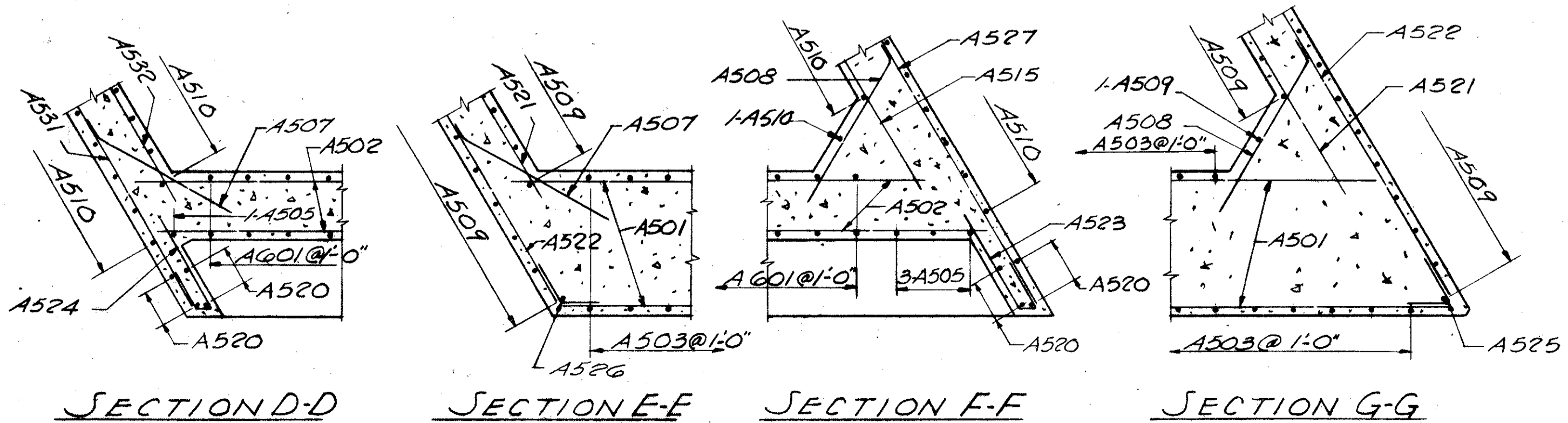
REPLACEMENT

MARK	No. REQD	LENGTH	SHAPE	WEIGHT
RE1101	1	7'6"	STR.	
RE701	2	6'2"	STR.	
RE601	3	5'10"	STR.	
RE501	2	5'7"	STR.	

MARK	No. REQD	LENGTH	SHAPE	WEIGHT	BENDING DIAGRAM
TWO SUPERSTRUCTURES					
S701	284	43'8"	STR.	25348	
S702	8	3'2"		52	
S703	8	41'4"		676	
S704	8	40'2"		657	
S705	8	39'0"		638	
S706	8	37'10"		619	
S707	8	36'8"		600	
S708	8	35'6"		580	
S709	8	34'4"		561	
S710	8	33'2"		542	
S711	8	32'0"		523	
S712	8	30'10"		504	
S713	8	29'8"		485	
S714	8	28'6"		466	
S715	8	27'4"		447	
S716	8	26'2"		428	
S717	8	25'0"		409	
S718	8	23'10"		390	
S719	8	22'8"		371	
S720	8	21'6"		352	
S721	8	20'4"		332	
S722	8	19'2"		313	
S723	8	18'0"		294	
S724	8	16'10"		275	
S725	8	15'8"		256	
S726	8	14'6"		237	
S727	8	13'6"		221	
S728	8	12'4"		202	
S729	8	11'2"		183	
S730	8	10'0"		164	
S731	8	8'10"		144	
S732	8	7'9"		127	
S733	8	6'7"	STR.	108	
TOTAL				94,091	

FOUR PIERS

MARK	No. REQD	LENGTH	SHAPE	WEIGHT	BENDING DIAGRAM
PI101	16	27'8"	BENT	2,352	
PI102	80	26'0"	STR.	11,051	
FOUR PIERS					
P601	176	4'6"	BENT	1,190	
P602	16	15'0"	BENT	360	
P603	96	4'6"	STR.	649	
P604	20	23'6"	STR.	706	
FOUR PIERS					
P501	56	6'5"	BENT	380	
P502	48	16'0"	STR.	801	
P503	12	13'6"	BENT	169	
P504	56	20'0"	STR.	1,168	
P505	8	22'6"		188	
P506	16	20'6"		342	
P507	16	25'0"	STR.	417	
P508	64	7'2"	BENT	478	
P509	80	8'4"	BENT	695	
FOUR PIERS					
P511	48	6'2"	BENT	309	
P512	16	14'6"	BENT	242	
P513	16	17'4"	STR.	289	
TOTAL				21,786	



LAKE COUNTY
LAK-44-170

TRYGVE HOFF & ASSOCIATES
ENGINEERS
1922 EAST 107TH STREET CLEVELAND, OHIO

ABUTMENT DETAILS &
REINFORCING STEEL LIST
BRIDGE NO. LAK-44-0353, L&R
S.R. 44 OVER KELLOGG CREEK
LAKE COUNTY S.R. 44
STA. 187+50

SCALE	DATE
DESIGNED C.A.T.	DRAWN C.A.T.
TRACED G.L.R.	CHECKED C.A.T.
REVIEWED G.L.R.	DATE 8-15-58

SEE DWG. 203 FOR NOTES
* REINFORCING BARS FOR RAILING PARAPETS SHALL
BE INCLUDED WITH ITEM 5-14 FOR PAYMENT.