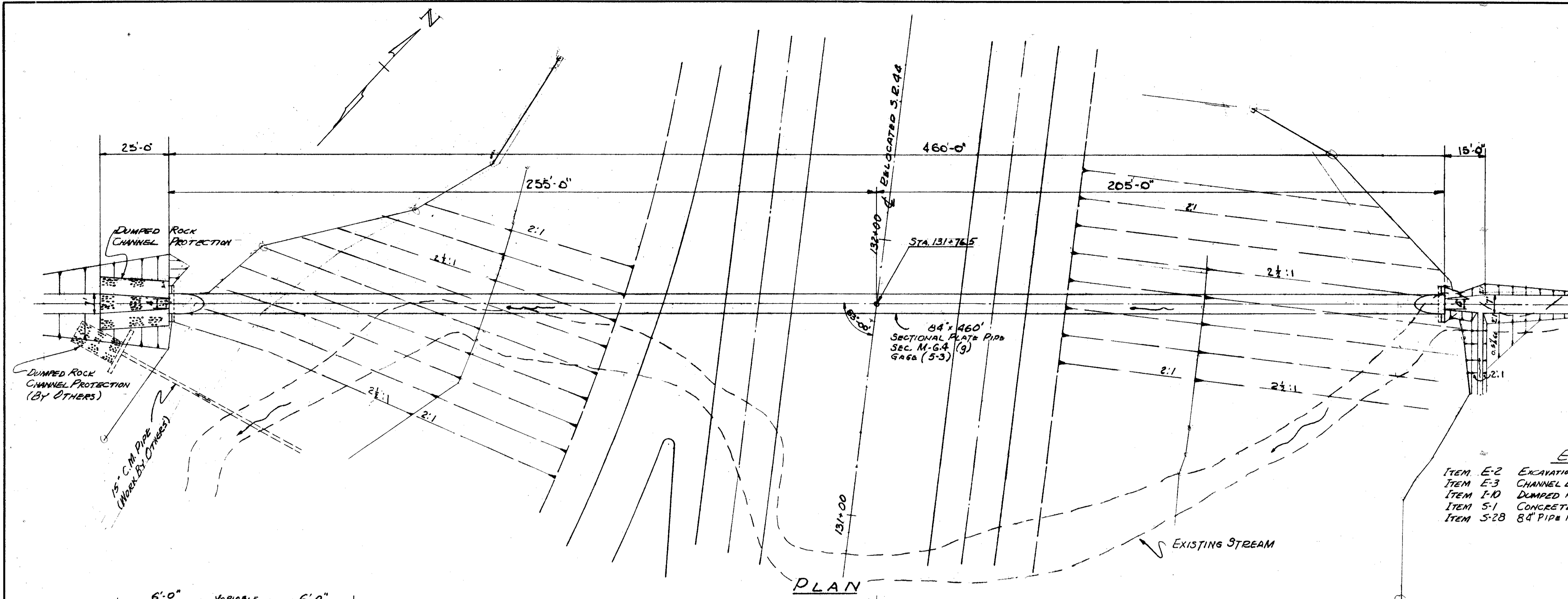


FED. RD. DIVISION	STATE	PROJECT
2	OHIO	

181
228

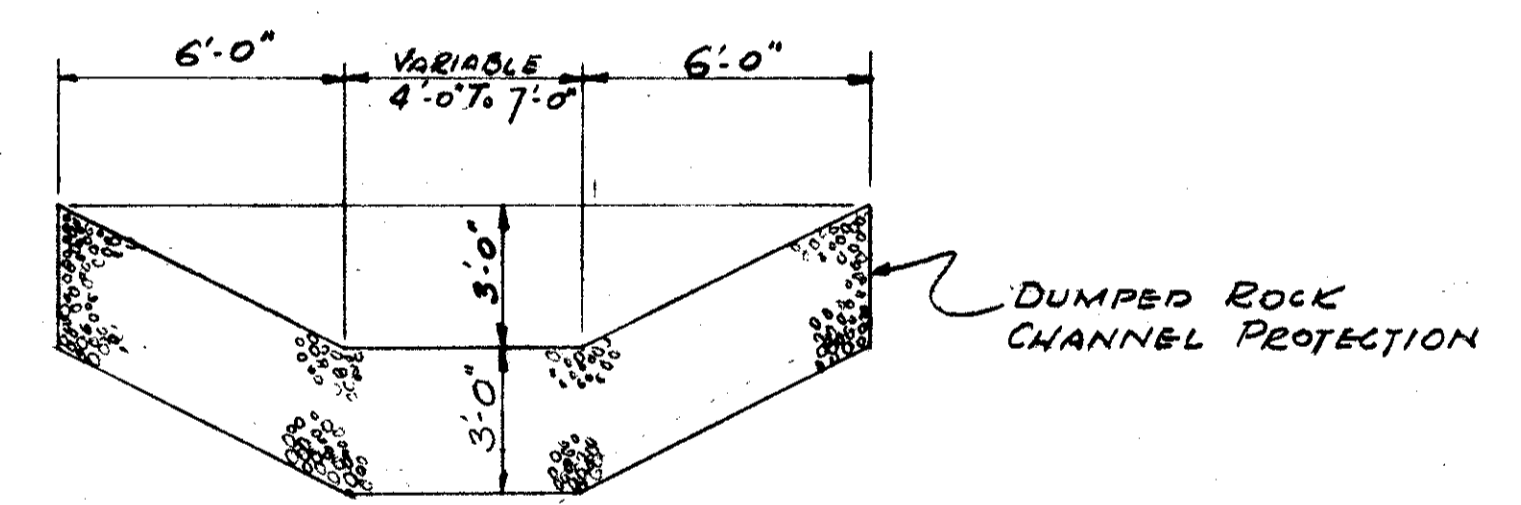
LAKE COUNTY
LAK-44-1.70

DRAINAGE AREA - 1110 AC.
Q₂₅ = 330 CFS

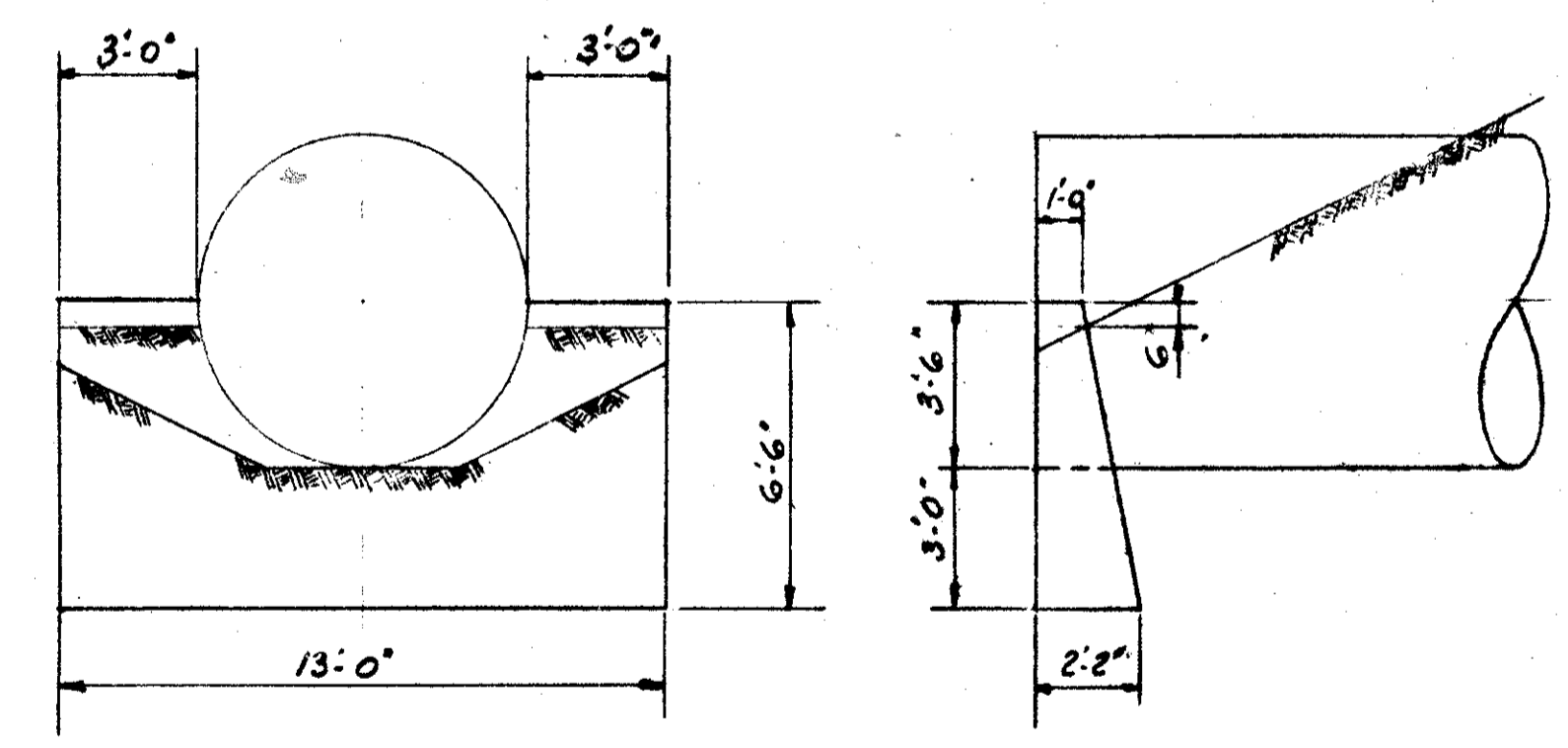


ESTIMATED QUANTITIES

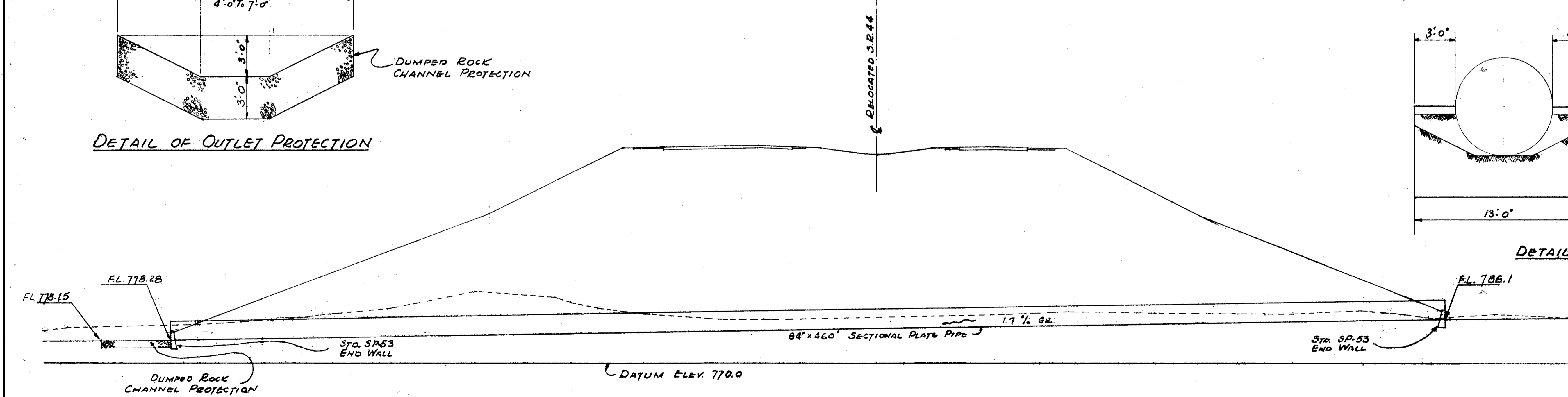
ITEM E-2	EXCAVATION FOR STRUCTURES	1,047 Cu. Yds.
ITEM E-3	CHANNEL EXCAVATION	76 Cu. Yds.
ITEM I-10	DUMPED ROCK CHANNEL PROTECTION	48.6 Cu. Yds.
ITEM S-1	CONCRETE FOR STRUCTURES CLASS 'E'	8.12 Cu. Yds.
ITEM S-28	8" PIPE FOR ROADWAY CULVERT SEC. M-6.4(g) GAGE (5-3)	460 LIN. FT.



DETAIL OF OUTLET PROTECTION



DETAIL OF STD. SP-53 END WALL



ELEVATION

TRYGVE HOFF & ASSOCIATES
ENGINEERS
1922 EAST 107TH STREET CLEVELAND, OHIO

PIPE CULVERT ④

RELOCATED S.R. 44
STA. 131 + 76.5

SCALE 1" = 20' DATE

DESIGNED	DRAWN	TRACED	CHECKED	REVIEWED	DATE	REVISED
JWP			JPC	T.L.L.	10/11/58	