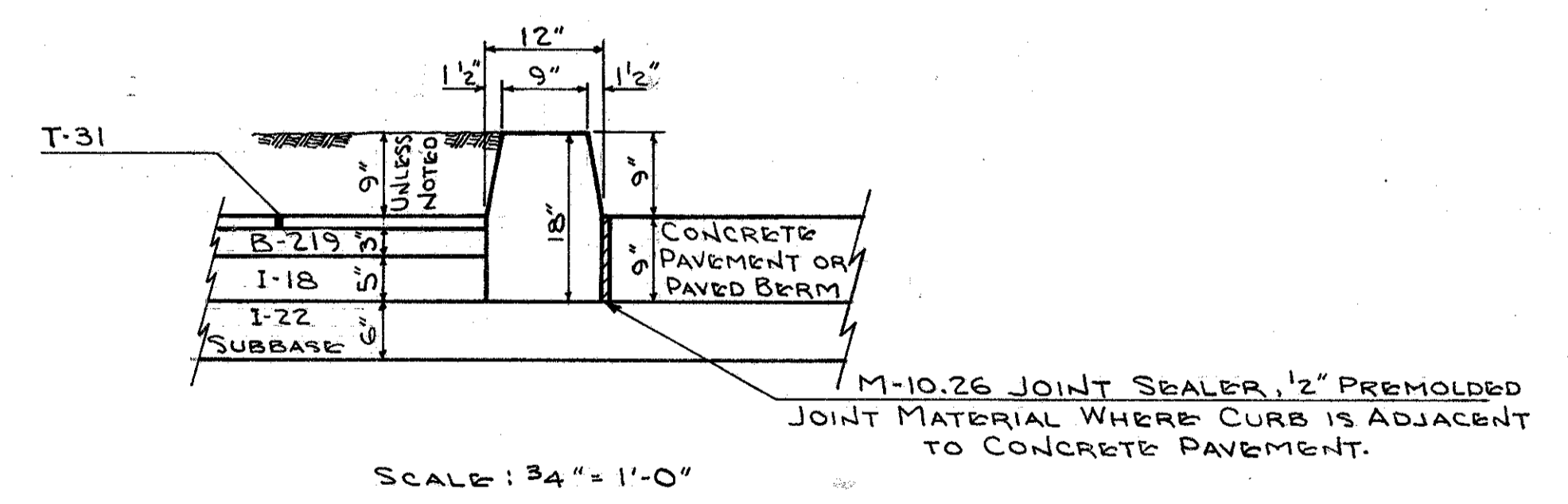
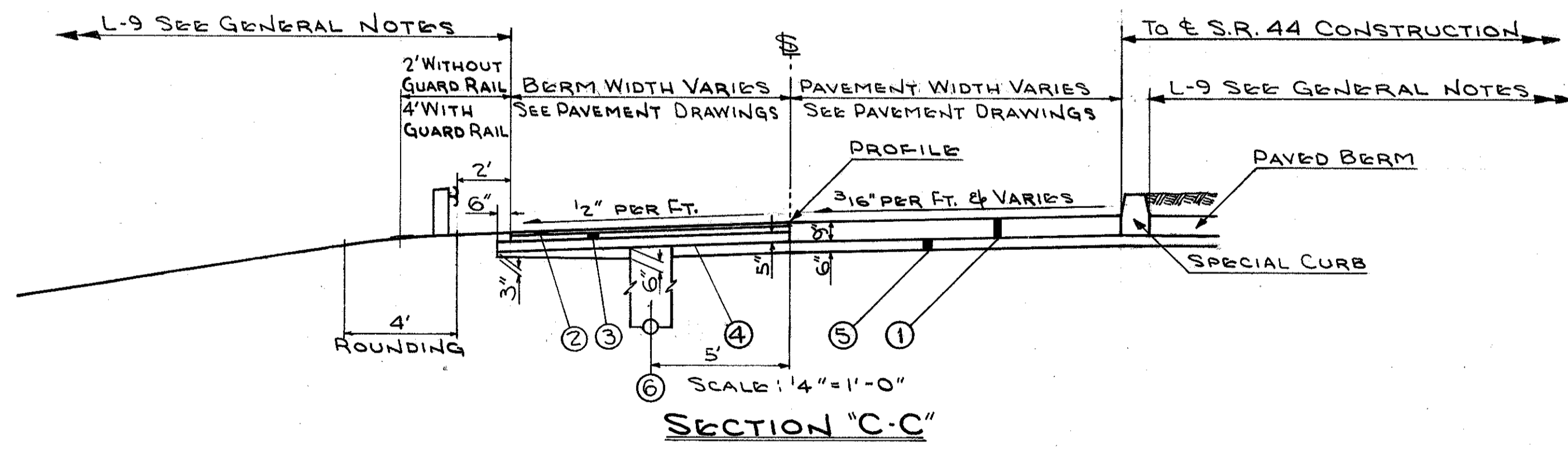
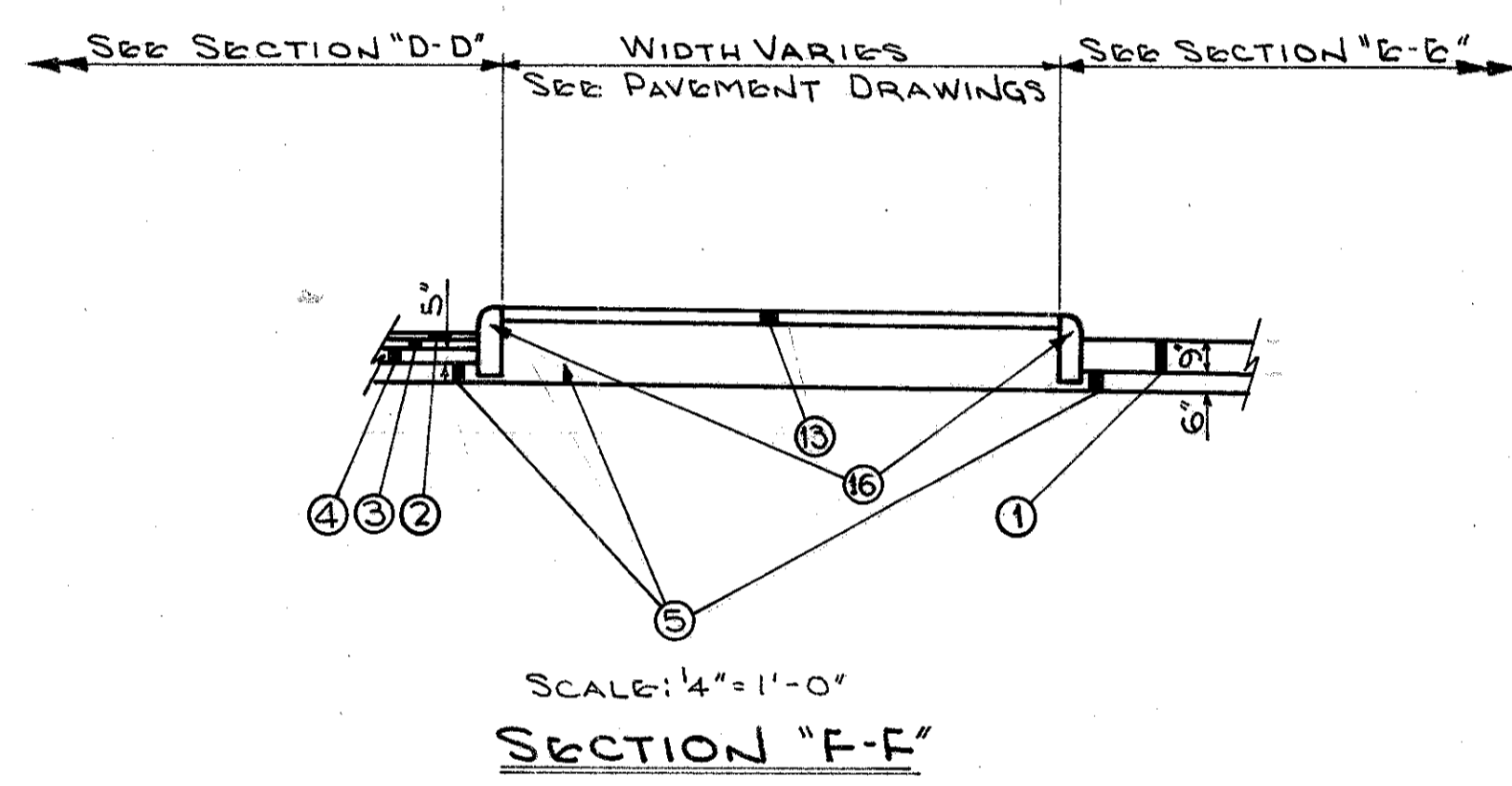
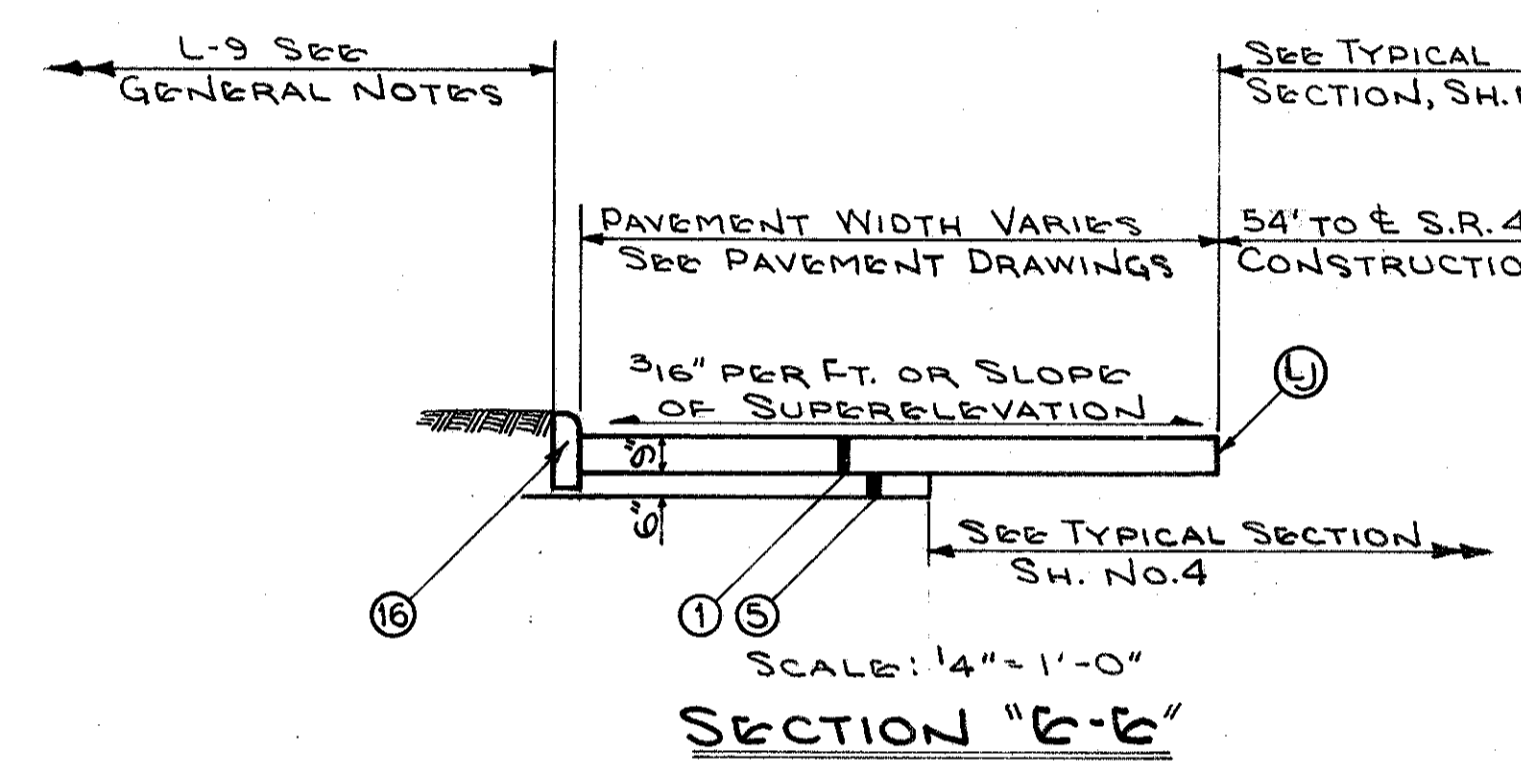
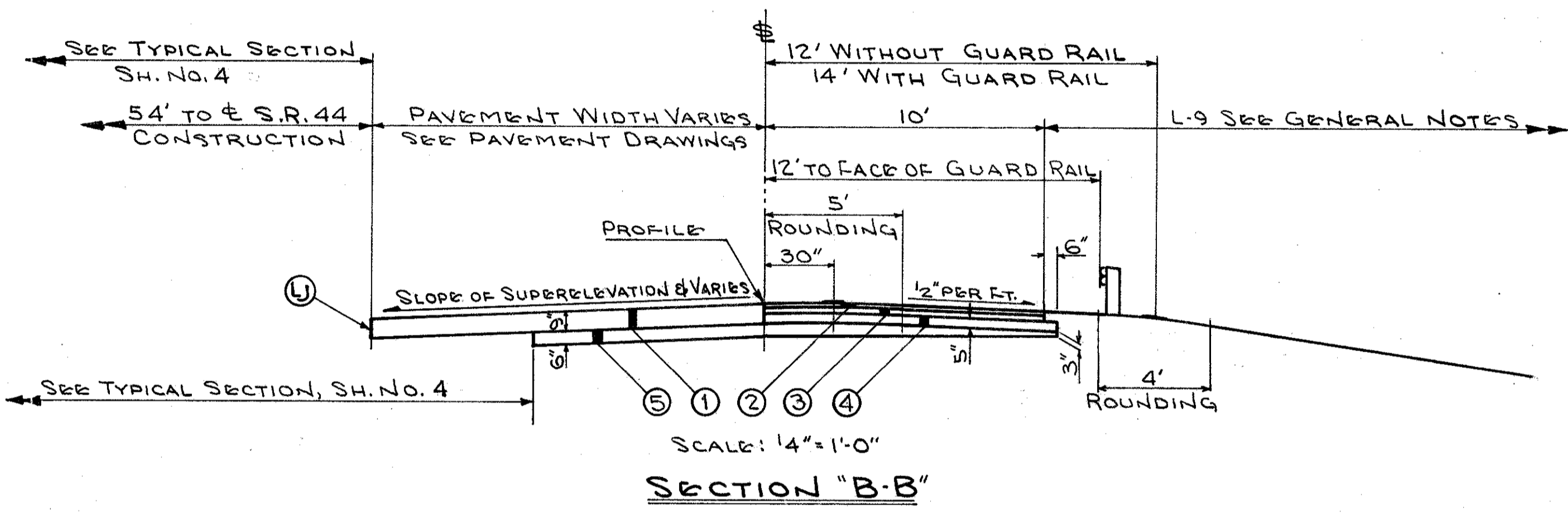
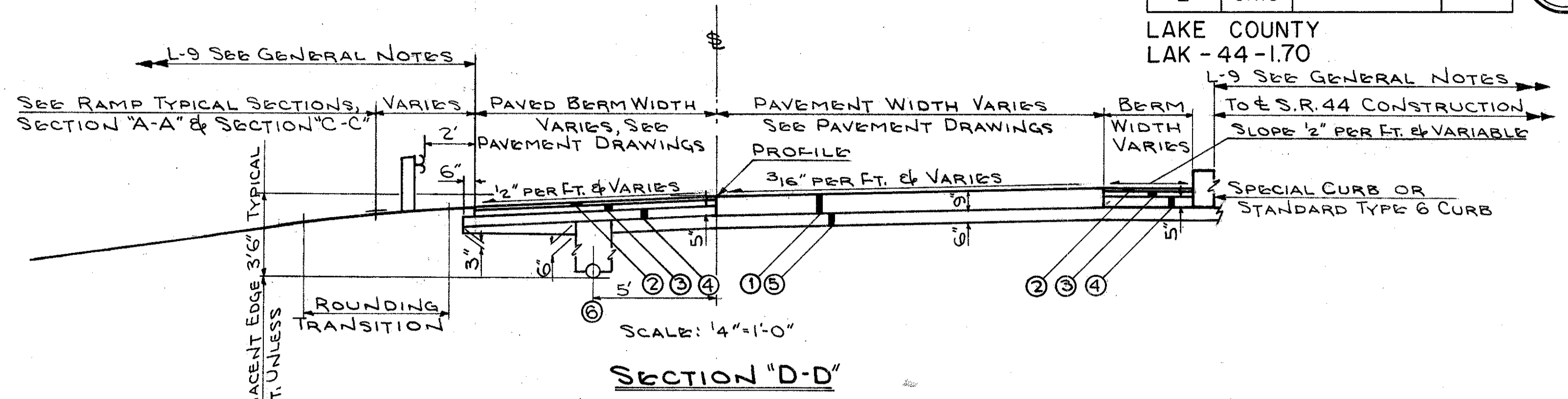
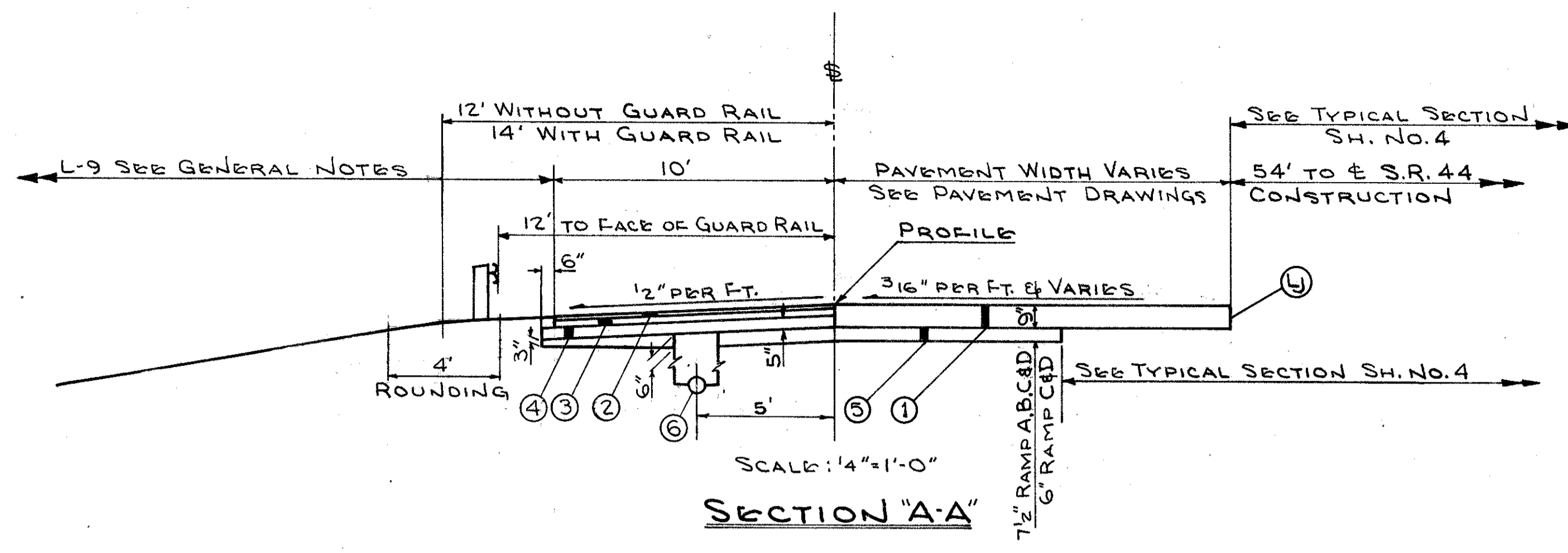


LAKE COUNTY
LAK-44-1.70



- LEGEND**
- ①②③④⑤ See SH. No. 111
 - ⑬ ITEM I-21 PORTLAND CEMENT CONCRETE MEDIAN OR TRAFFIC ISLAND PAVEMENT.
 - ⑭ ITEM I-12 CONCRETE CURB (TYPE 6)
 - ⑮ ITEM I-4 6" UNDERDRAINS (FOR LOCATION SEE PLAN & PROFILE SHEETS)
- JOINT SYMBOL**
- Ⓢ See SH. No. 111

NOTES:
 FOR LOCATION OF I-4 UNDERDRAINS AND GUARD RAIL, SEE PLAN & PROFILE.
 FOR VARIATIONS TO DITCHES & SIDE SLOPES, SEE CROSS SECTIONS.
 FOR TOP OF PAVEMENT ELEVATIONS SEE PAVEMENT DETAILS.

SPECIAL PORTLAND CEMENT CONCRETE CURB DETAIL

TRYGVE HOFF & ASSOCIATES
 ENGINEERS
 1922 EAST 107TH STREET CLEVELAND, OHIO

TYPICAL SECTIONS & DETAILS
 ACCELERATION &
 DECELERATION LANES

| | |
|----------|---------|
| SCALE | DATE |
| DESIGNED | DRAWN |
| TRACED | CHECKED |
| REVIEWED | DATE |
| REVISED | REVISED |

WORK THIS SHEET WITH SH. No. 111