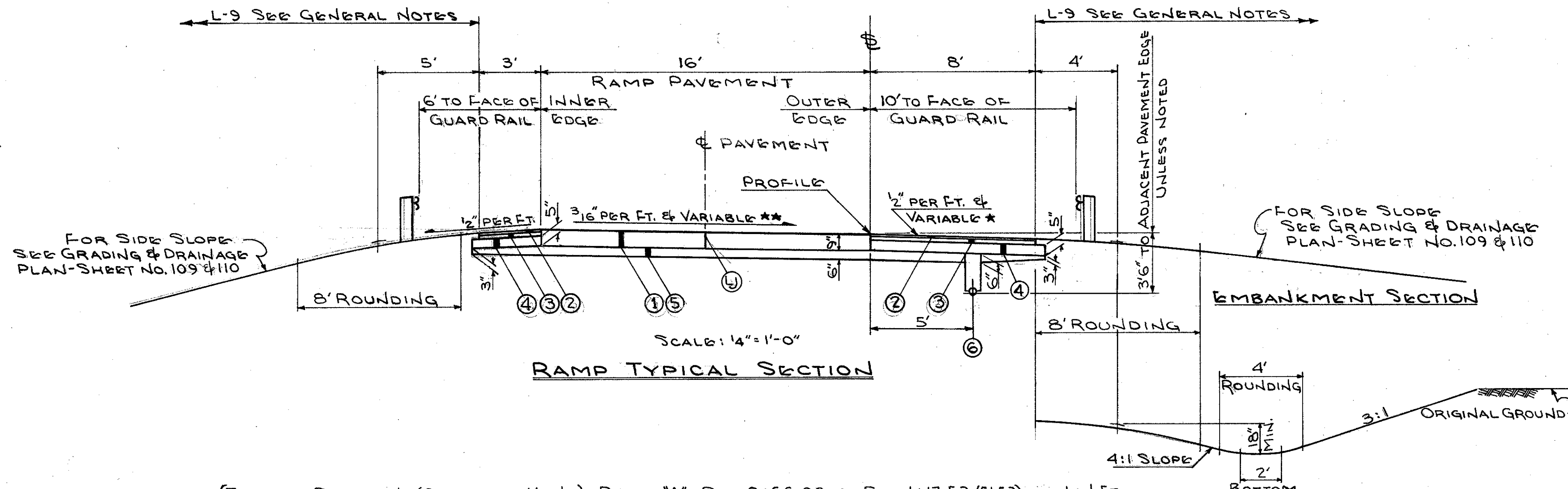


CODE 7221 RAMP TYPICAL SECTIONS

FED. RD. DIVISION	STATE	PROJECT	
2	OHIO		

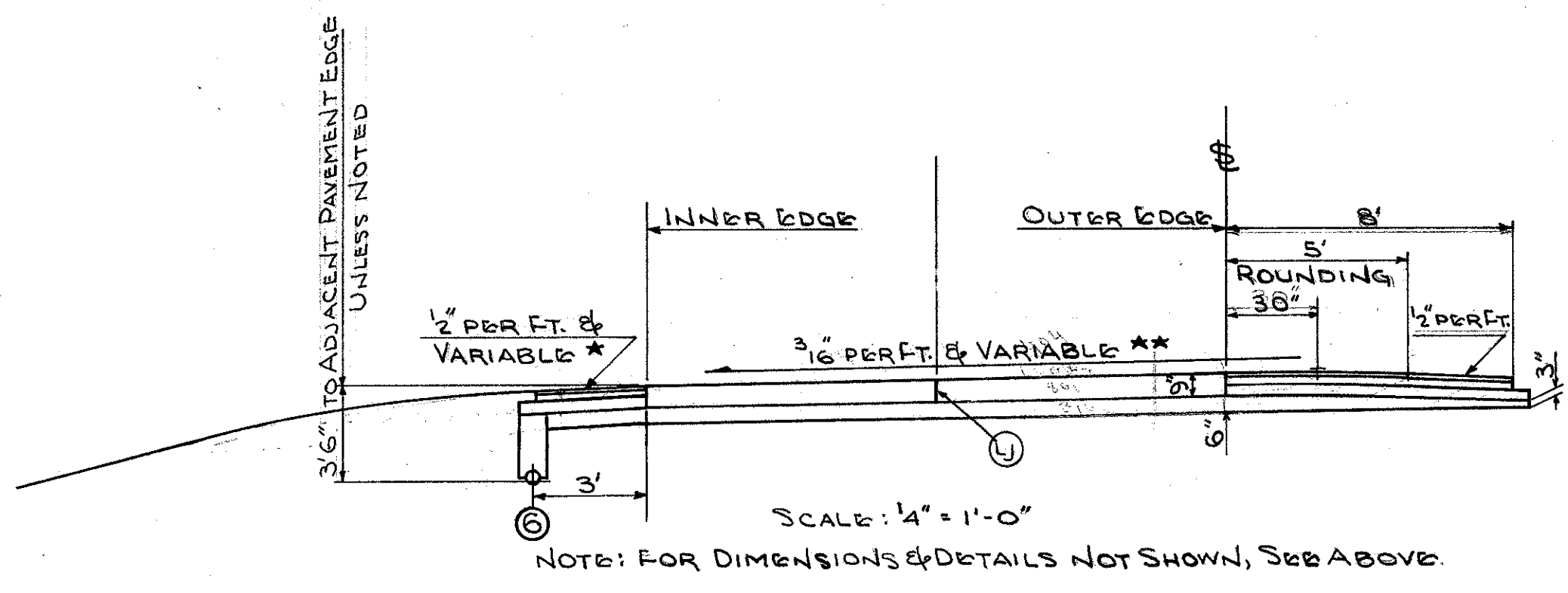
111
228

LAKE COUNTY
LAK-44-170



#	TYPICAL SECTION (OPPOSITE HAND)	RAMP "A"	STA. 0+66.00 TO STA. 1+17.53 (51.53)	LIN. FT.
#	TYPICAL SECTION (OPPOSITE HAND)	RAMP "A"	STA. 4+17.53 TO STA. 7+53.34 (355.81)	LIN. FT.
#	TYPICAL SECTION (AS SHOWN)	RAMP "B"	STA. 1+00.00 TO STA. 8+13.21 (713.21)	LIN. FT.
#	TYPICAL SECTION (AS SHOWN)	RAMP "C"	STA. 13+01.93 TO STA. 20+54.75	752.82 LIN. FT.
#	TYPICAL SECTION (OPPOSITE HAND)	RAMP "D"	STA. 19+16.64 TO STA. 22+00.00	283.36 LIN. FT.
				1036.18 LIN. FT.

EXCAVATION SECTION



#	TYPICAL SECTION (OPPOSITE HAND)	RAMP "A"	STA. 1+17.53 TO STA. 4+17.53 (300.00)	LIN. FT.
#	TYPICAL SECTION (AS SHOWN)	RAMP "B"	STA. 0+69.43 TO STA. 1+00.00 (30.57)	LIN. FT.
#	TYPICAL SECTION (AS SHOWN)	RAMP "C"	STA. 20+54.75 TO STA. 23+08.55	253.80 LIN. FT.

- # DENOTES WORK NOT INCLUDED IN PROJECT F-388(10)
- * SHOULDER SLOPE AS SHOWN OR SAME AS PAVEMENT, WHICHEVER BE GREATER
- ** FOR TOP OF PAVEMENT ELEVATIONS SEE PLAN & PROFILE

NOTE: FOR GUARD RAIL LOCATION SEE PLAN & PROFILE

LEGEND

- ① ITEM T-71 9" REINFORCED PORTLAND CEMENT CONCRETE PAVEMENT
- ② ITEM T-31 BITUMINOUS SURFACE TREATMENT
- ③ ITEM B-219 3" WATERPROOFED AGGREGATE BASE COURSE (TYPE "B")
- ④ ITEM I-18 STABILIZED CRUSHED AGGREGATE SHOULDERS & APPROACHES (DEPTH AS INDICATED)
- ⑤ ITEM I-22 SUBBASE (DEPTH AS INDICATED)
- ⑥ ITEM I-4 6" UNDERDRAINS (FOR LOCATION SEE PLAN & PROFILE SHEETS)

JOINT SYMBOL

- ④ STANDARD LONGITUDINAL JOINT

TRYGVE HOFF & ASSOCIATES ENGINEERS 1922 EAST 107TH STREET CLEVELAND, OHIO					
TYPICAL RAMP SECTIONS					
SCALE	DATE				
DESIGNED	DRAWN	TRACED	CHECKED	REVIEWED	DATE
			T.L.L.	T.L.L.	10/11/53