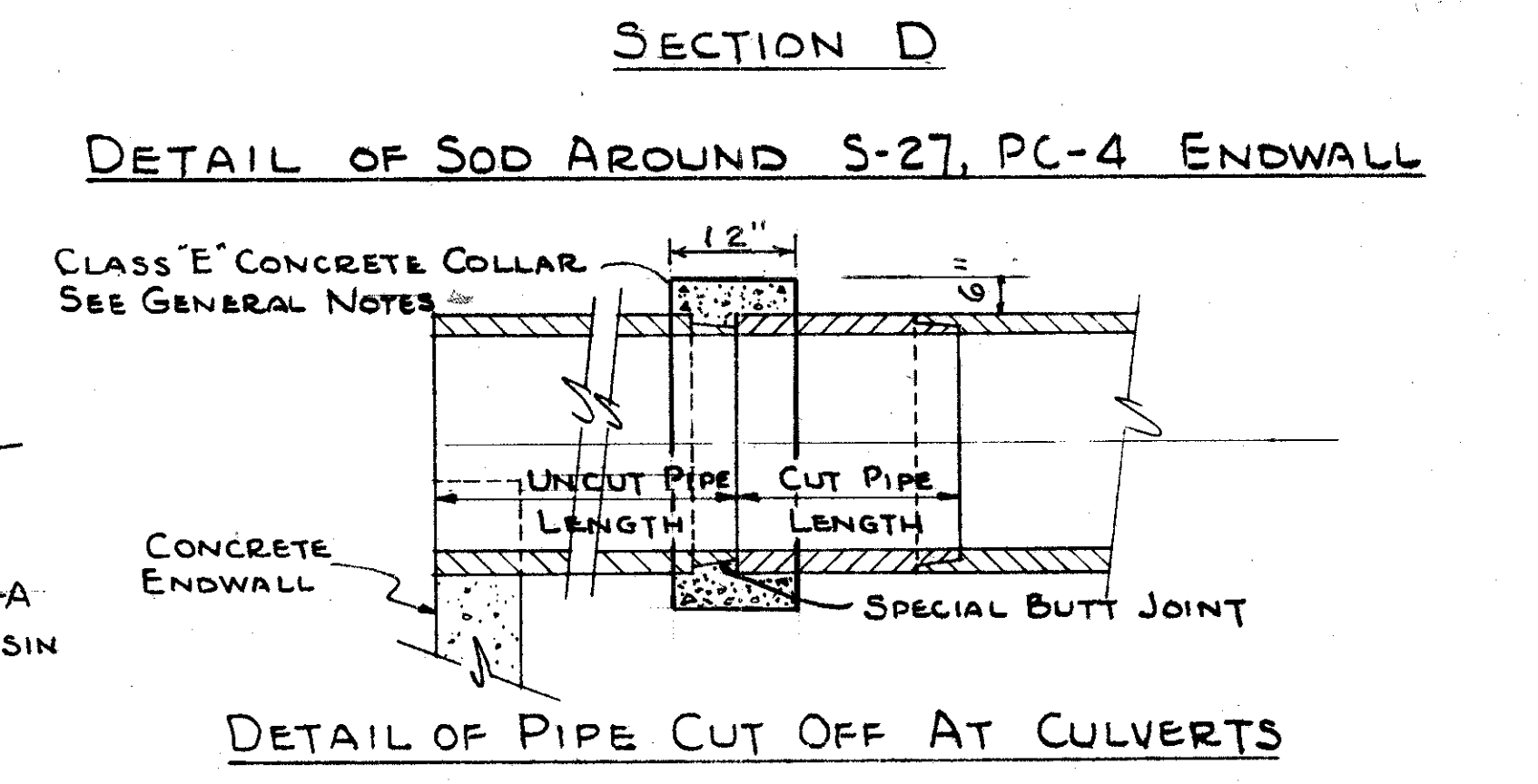
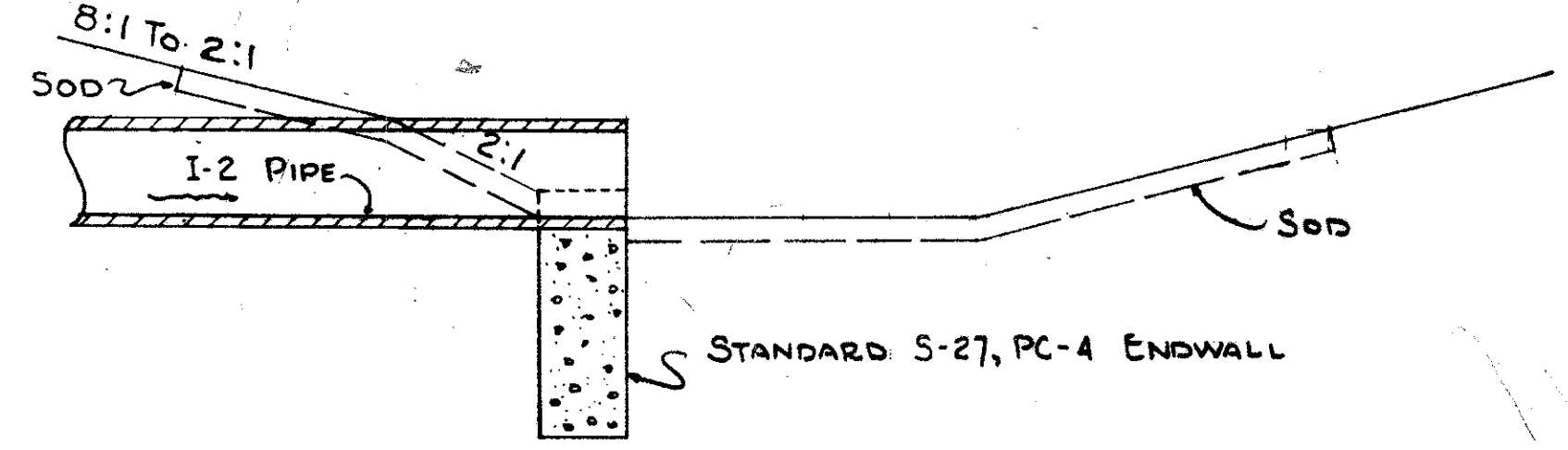
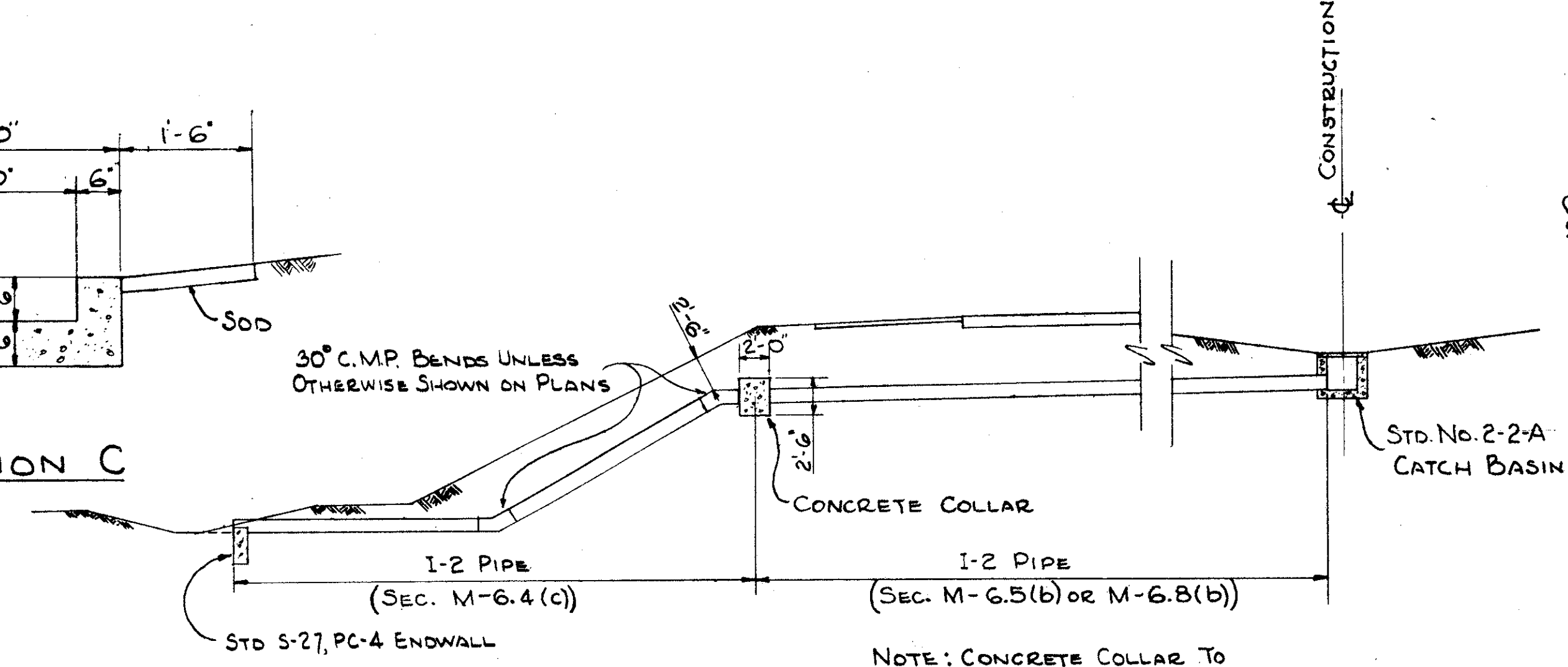
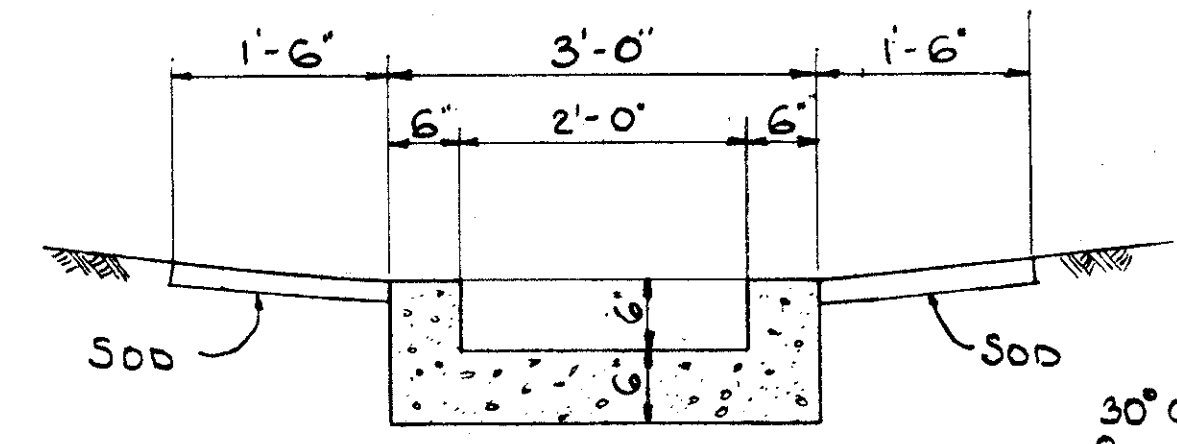
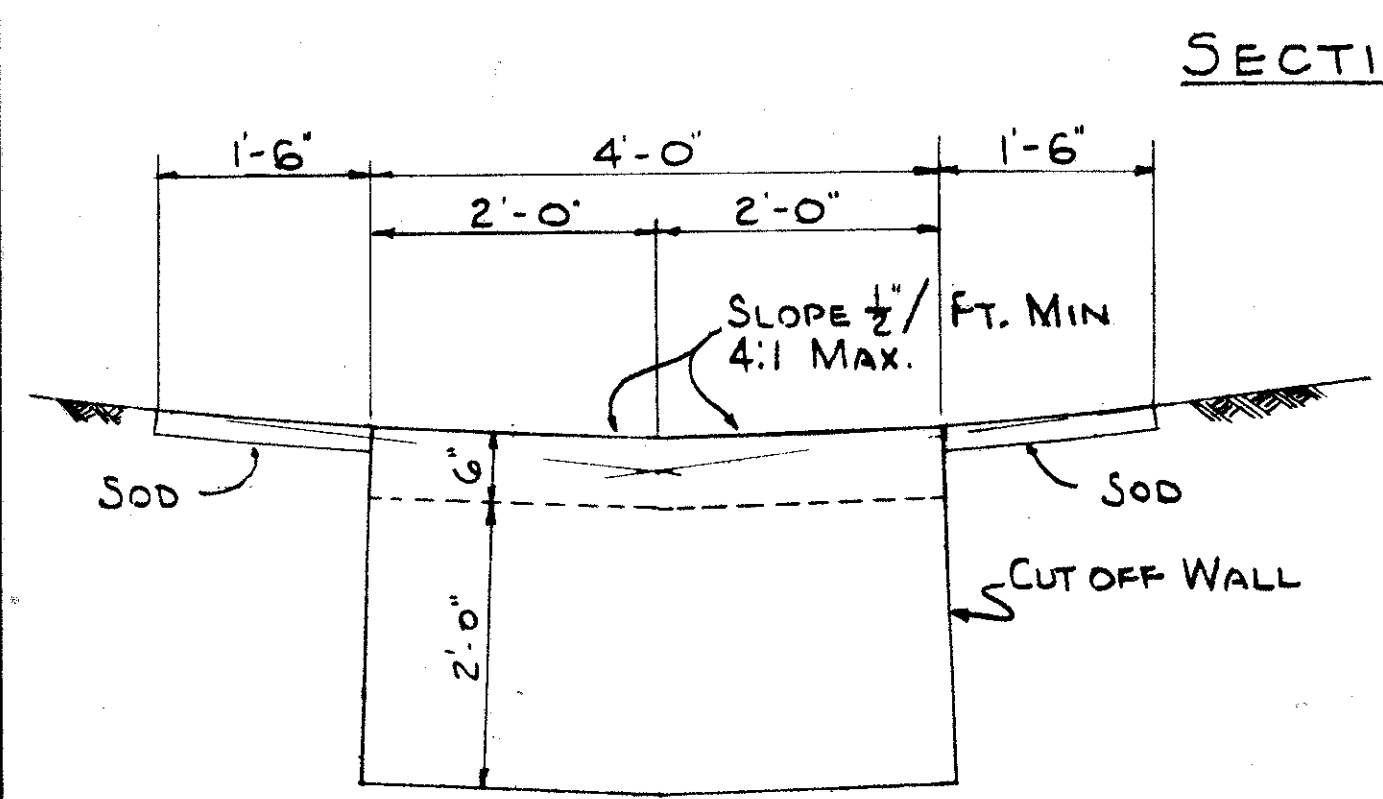
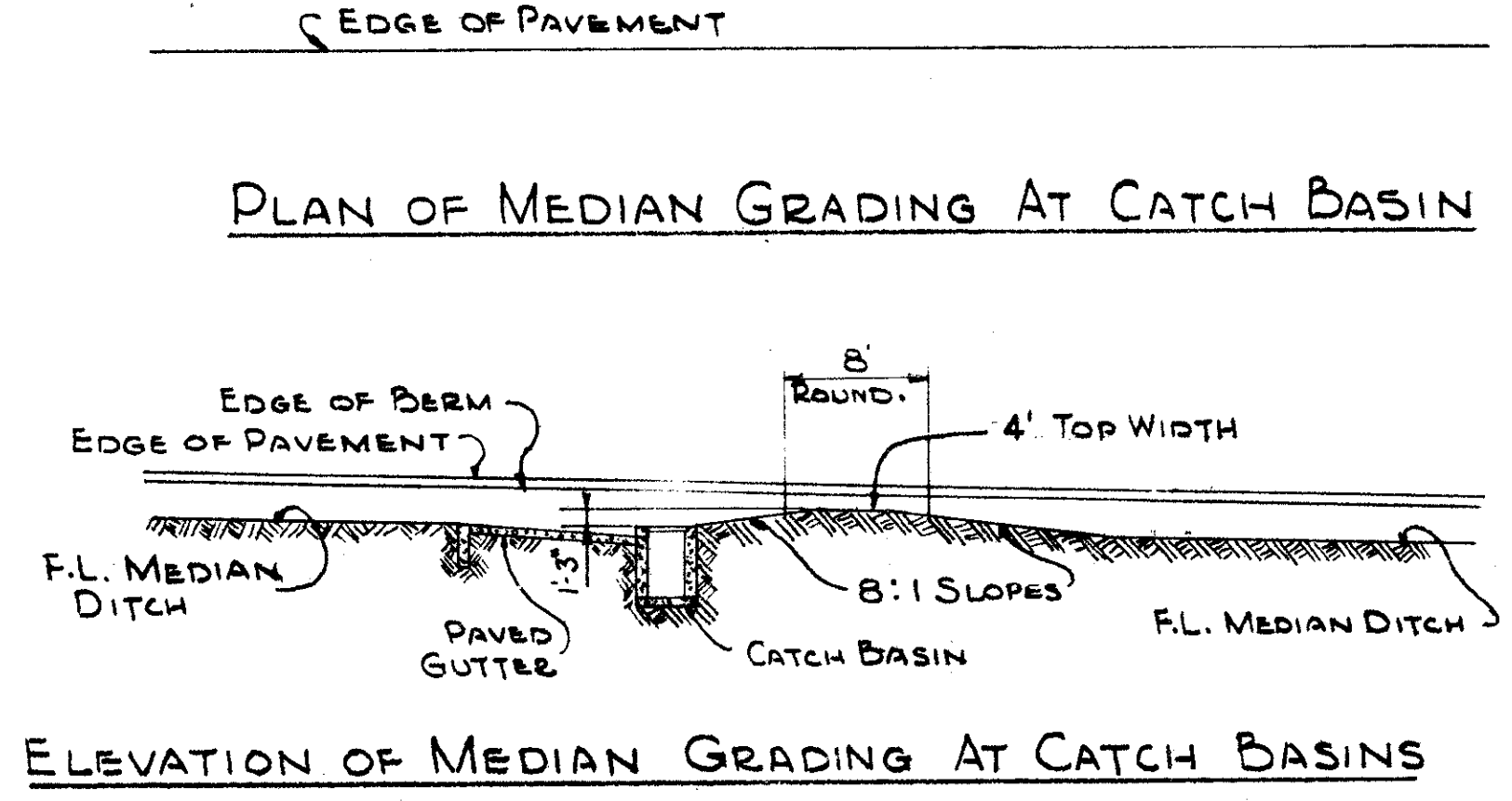
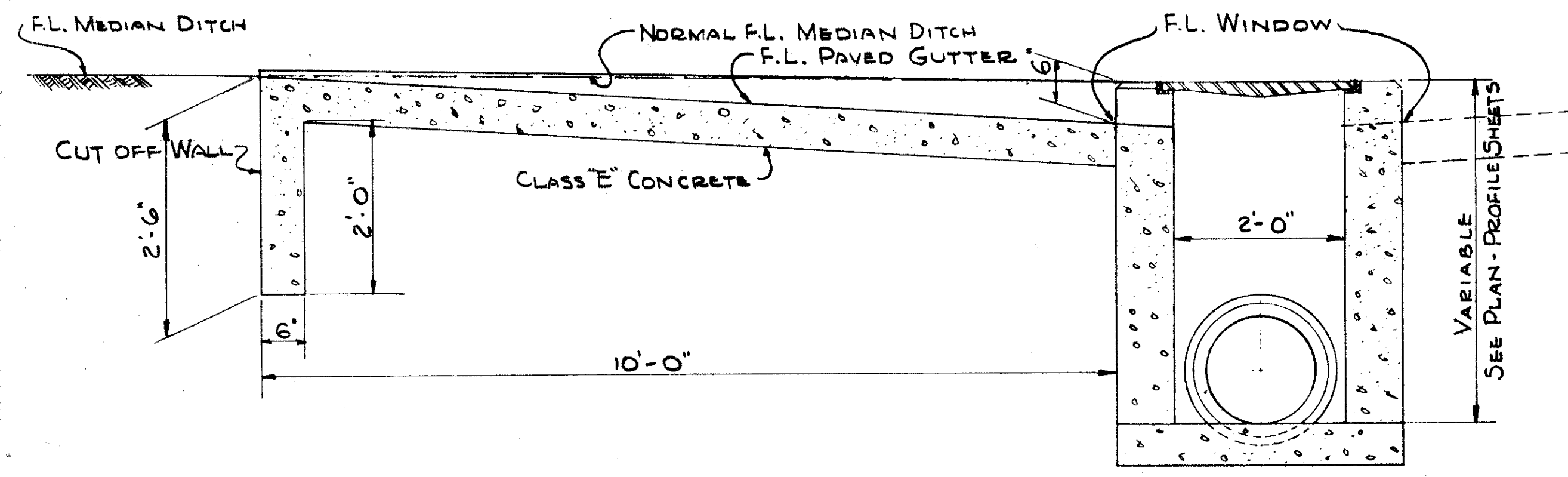
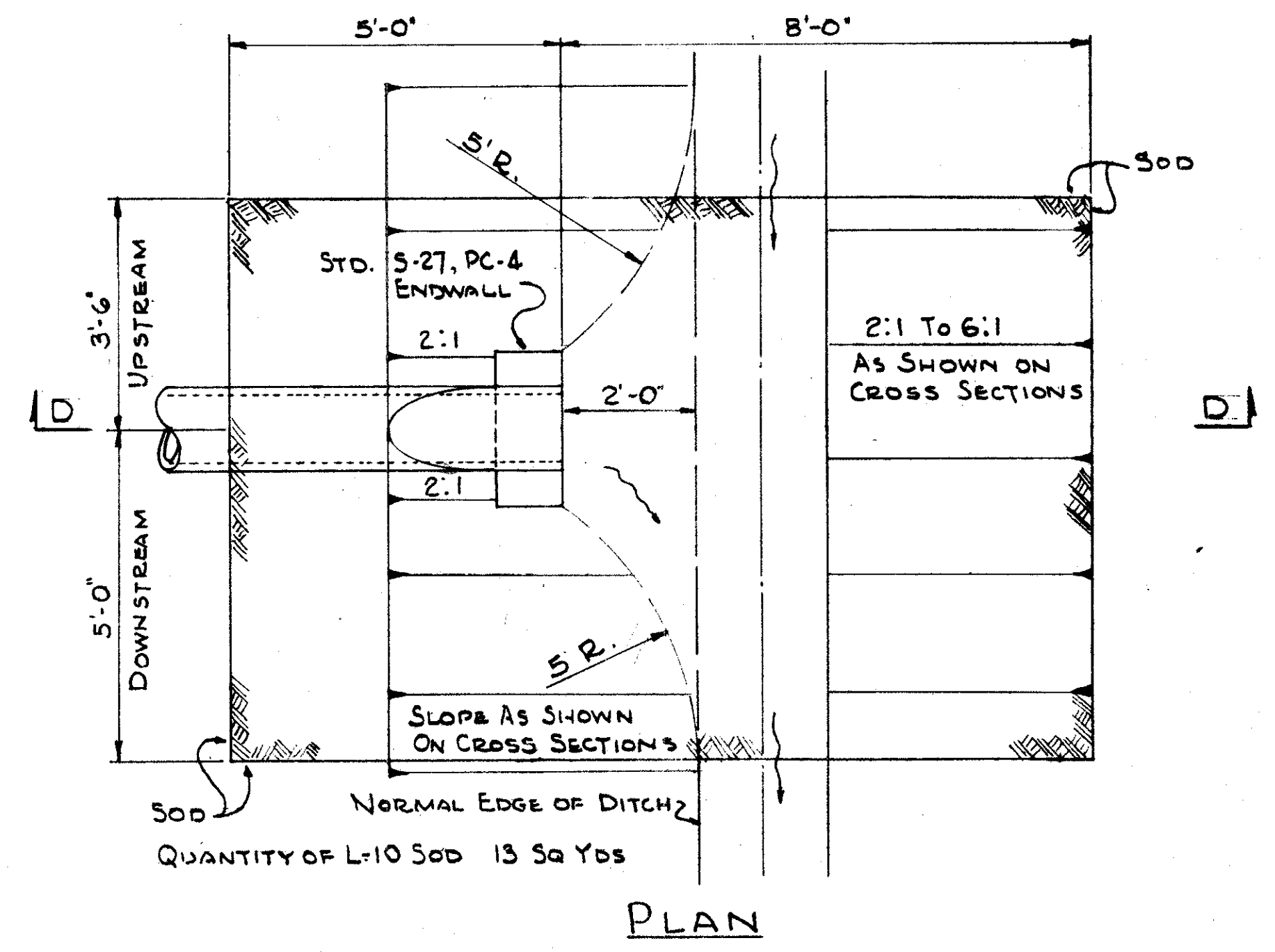
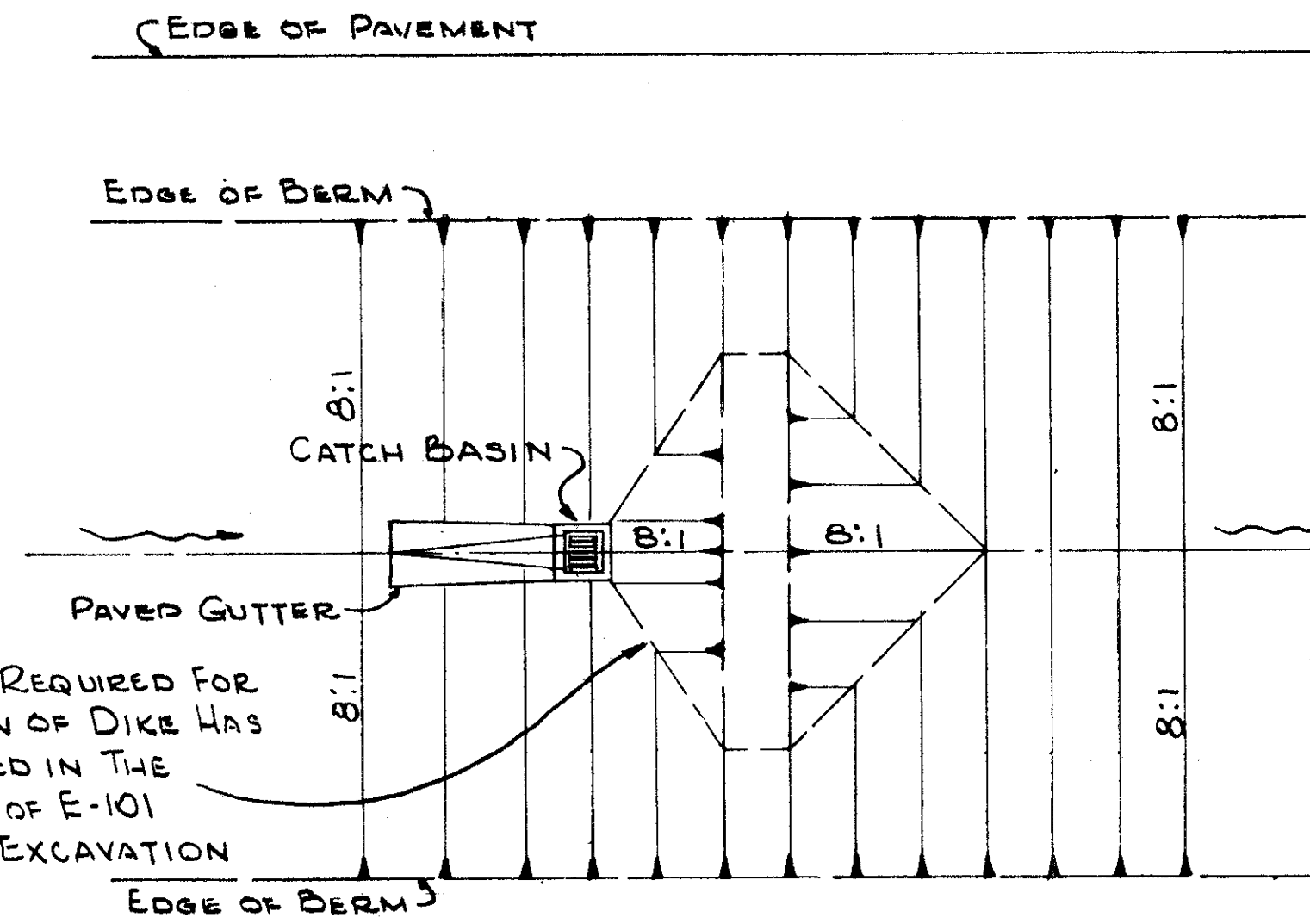
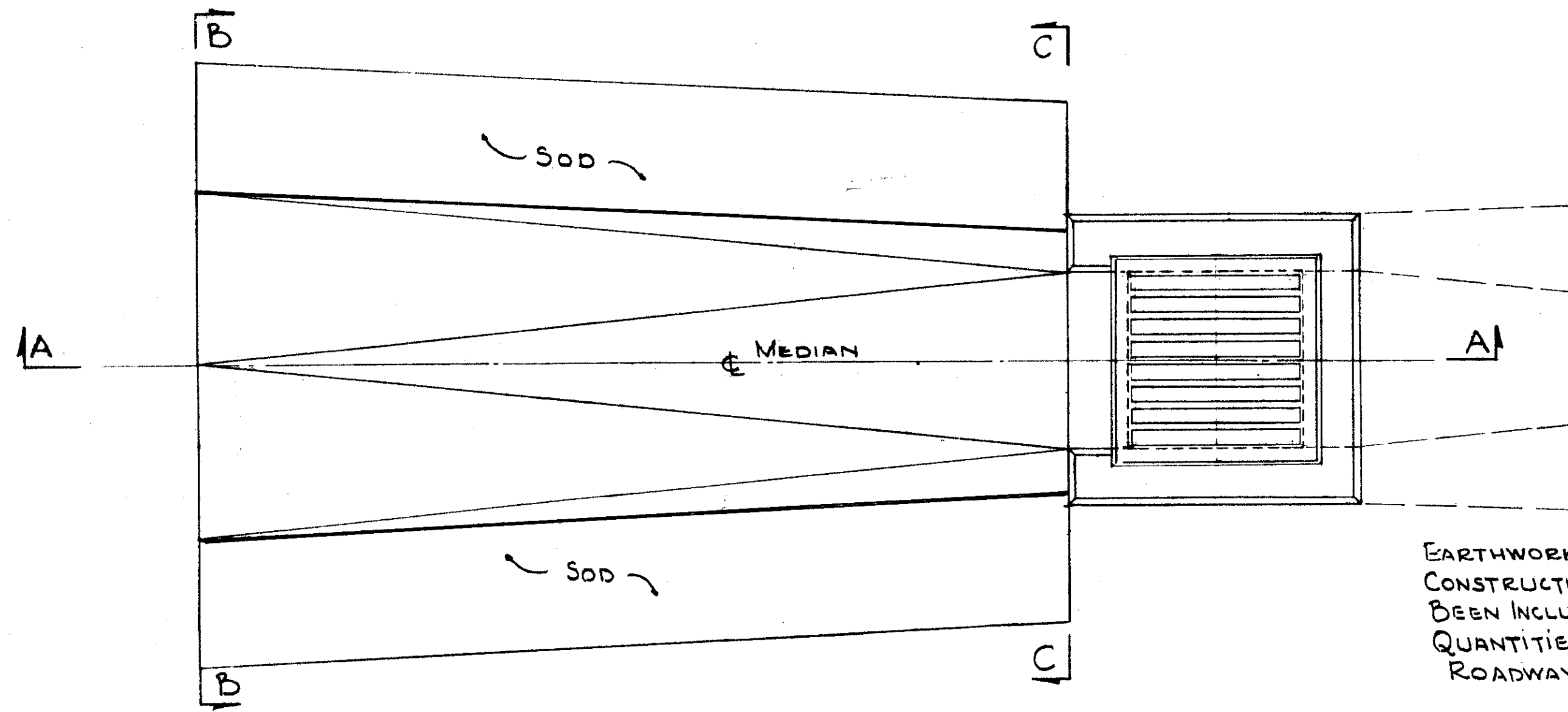


TYPICAL DETAILS

FED. RD. DIVISION	STATE	PROJECT	
2	OHIO		7 228

LAKE COUNTY
LAK-44-1.70



DETAIL OF STANDARD NO. 2-2-A CATCH BASIN AND PAVED GUTTER TYPE A (SPECIAL) FOR USE IN MEDIAN

MEDIAN OUTLET DETAIL IN HIGH FILL

DETAIL OF SOD AROUND 5-27, PC-4 ENDWALL

DETAIL OF PIPE CUT OFF AT CULVERTS

NOTE: FOR DETAILS OF CATCH BASIN NOT SHOWN SEE STANDARD DRAWING I-8 CB 2-2-A TWO WINDOWS & TWO PAVED GUTTERS SHALL BE CONSTRUCTED AT LOCATIONS SHOWN ON THE ALIGNMENT SHEETS

TRYGVE HOFF & ASSOCIATES
ENGINEERS
1922 EAST 107TH STREET CLEVELAND, OHIO

TYPICAL DETAILS

DESIGNED	DRAWN	TRACED	CHECKED	REVIEWED	DATE	REVISED
J.W.P.			J.P.C.	T.L.L.	10/11/58	