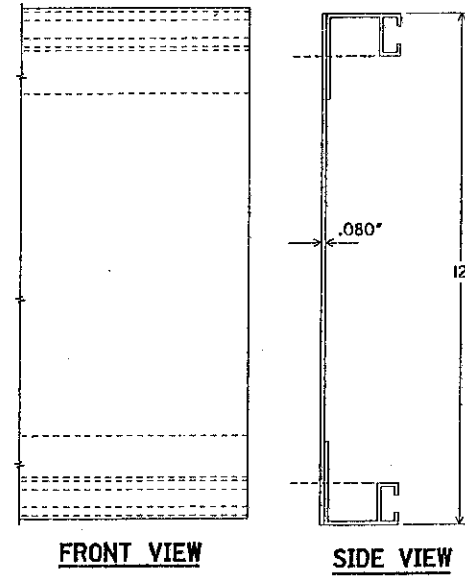
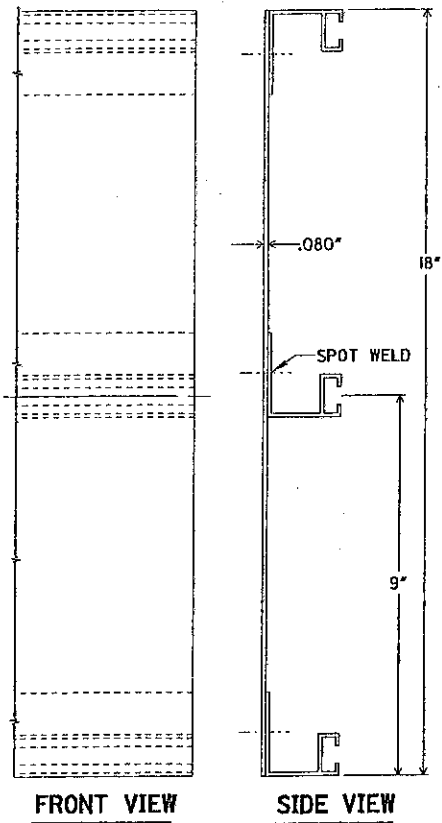


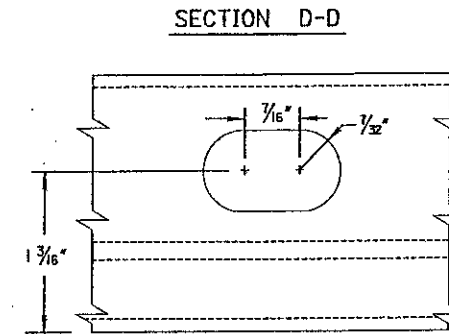
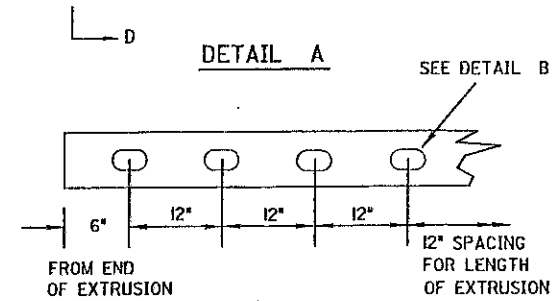
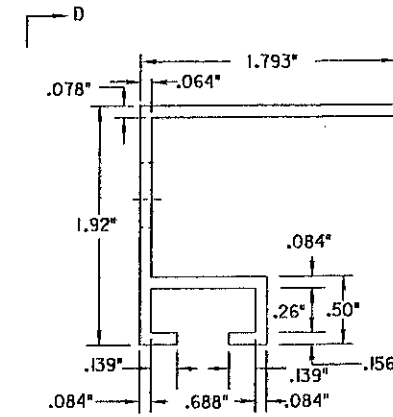
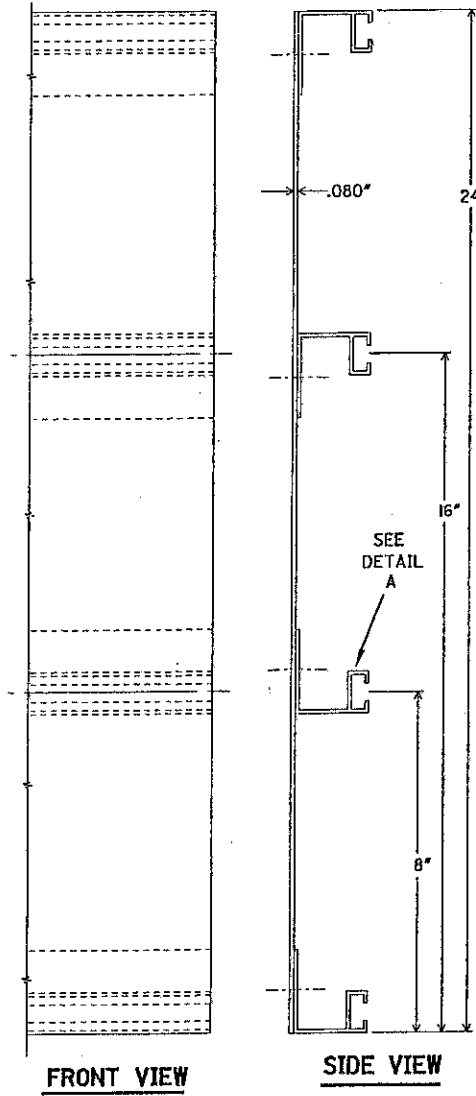
12" BOLTED EXTRUSHEET PANEL



18" BOLTED EXTRUSHEET PANEL



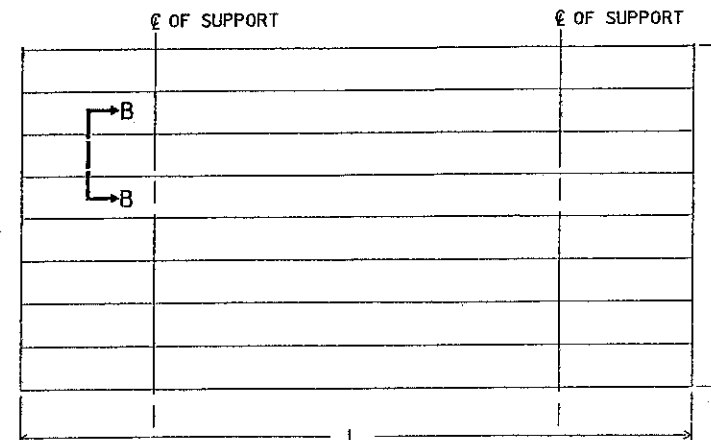
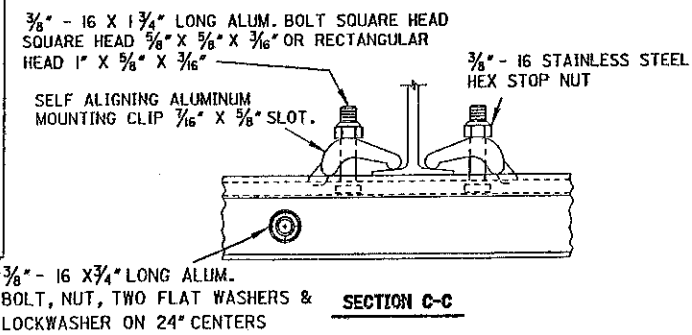
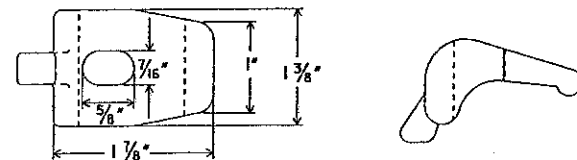
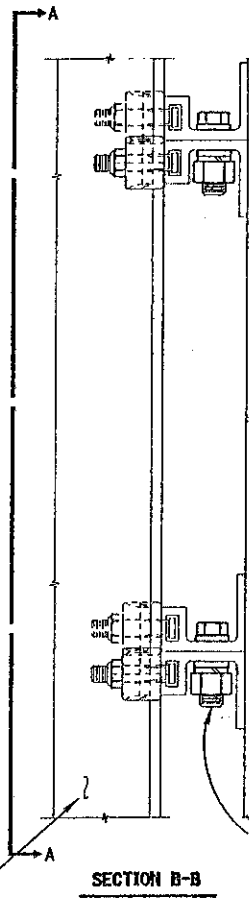
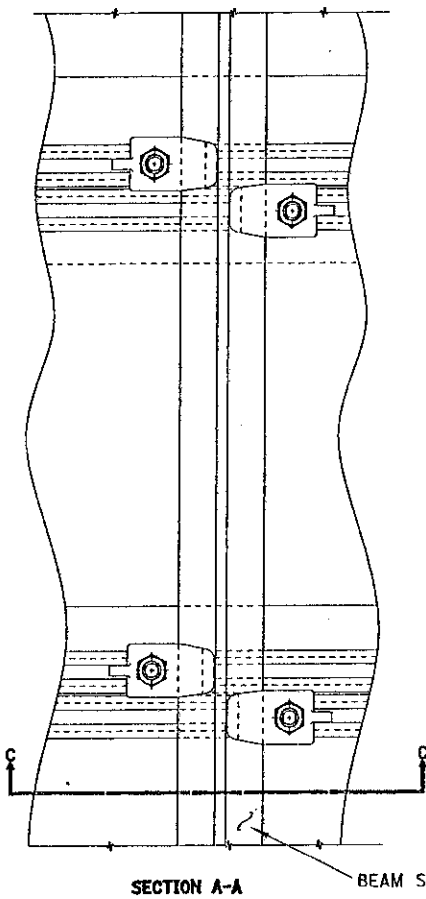
24" BOLTED EXTRUSHEET PANEL



PANEL HEIGHT (INCHES)	NO. OF STIFFENERS
6	2
12	2
18	3
24	4
30	4
36	5
42	6
48	7

NOTES

1. COMBINATIONS OF 12", 18" AND 24" PANELS SHOULD BE USED TO ATTAIN REQUIRED SIGN HEIGHT. 30", 36", 42" AND 48" PANEL HEIGHTS ARE ALLOWED, BUT THEIR USE IS NOT REQUIRED.
2. THE PANELS SHALL BE ERECTED HORIZONTALLY AND BOLTED ON 24" CENTERS.
3. THE PANELS SHALL BE FASTENED TO EACH VERTICAL SUPPORT MEMBER WITH MOUNTING CLIPS; ALTERNATELY AT EACH HORIZONTAL EXTRUSION; BOTH SIDES AT EACH JOINT, AND BOTH SIDES AT TOP AND BOTTOM EDGES OF SIGNS.
4. FOR THE 6" GLARE SHIELD EXTRUSHEET PANEL, CHANGE THE 12" DIMENSION IN THE 12" BOLTED EXTRUSHEET PANEL DETAIL TO 6". ALL OTHER DETAILS ARE THE SAME.
5. SPOT WELDS SHALL BE SPACED AT A MAXIMUM OF 4" CENTER TO CENTER.



BUREAU OF DESIGN SERVICES DIVISION OF HIGHWAYS OHIO DEPARTMENT OF TRANSPORTATION	
TRAFFIC CONTROL	DATE 06/02/75 04/03/79 01/20/84 09/30/94
ALUMINUM BOLTED-EXTRUSHEET PANEL SIGN	TC-51.11
STANDARD CONSTRUCTION DRAWING	
APPROVED <i>[Signature]</i> ENGR. OF DESIGN SERVICES	