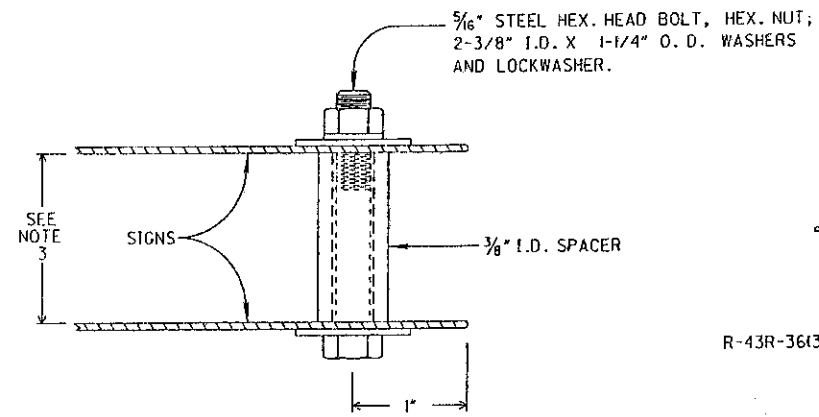
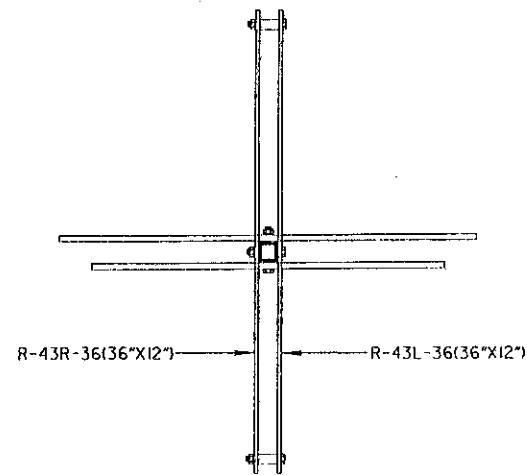
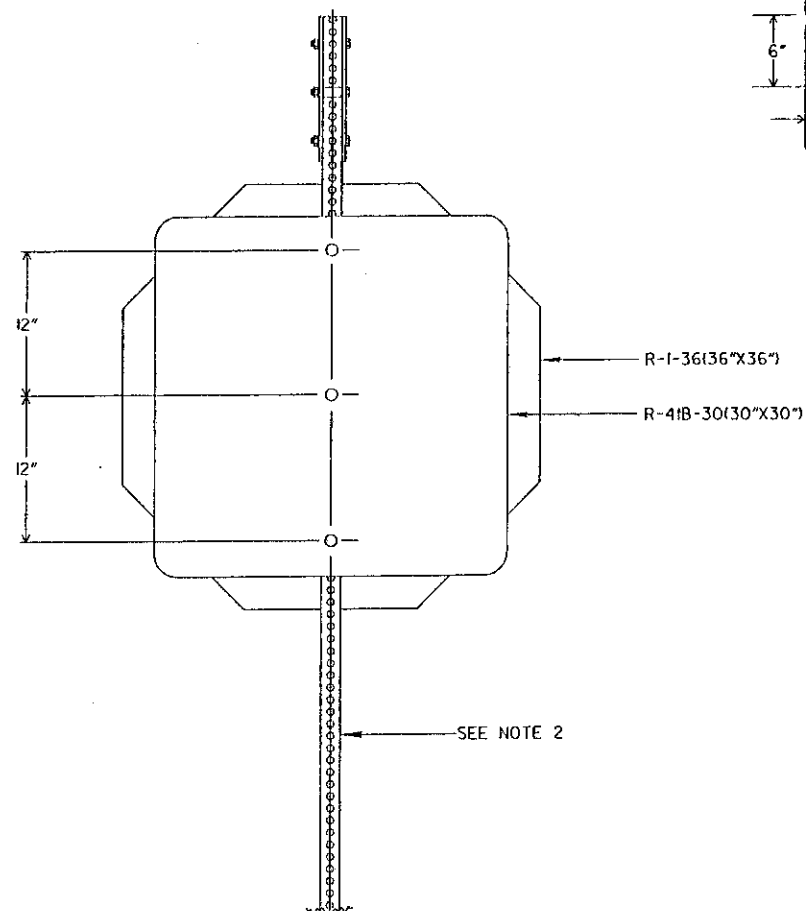
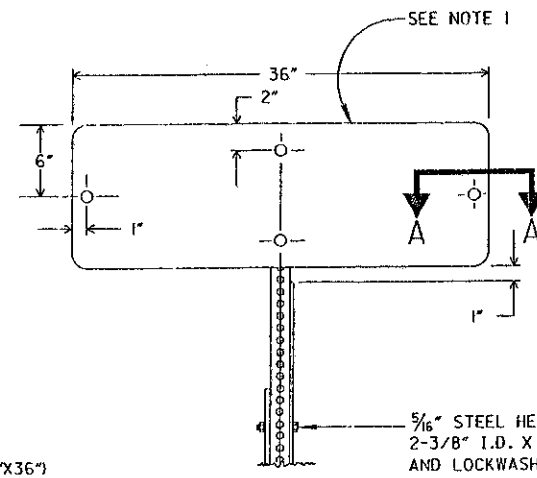
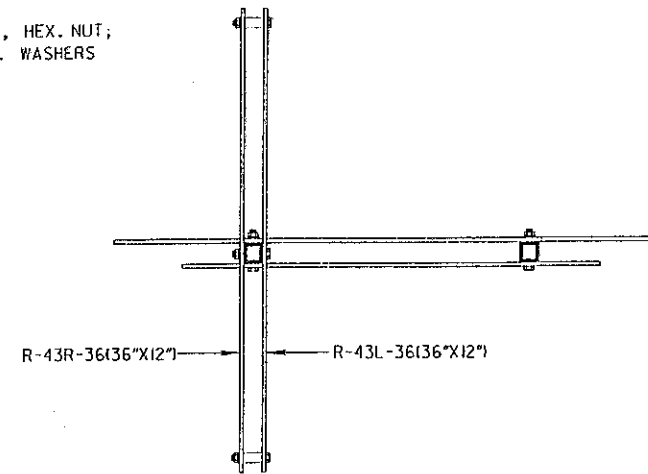


NOTES

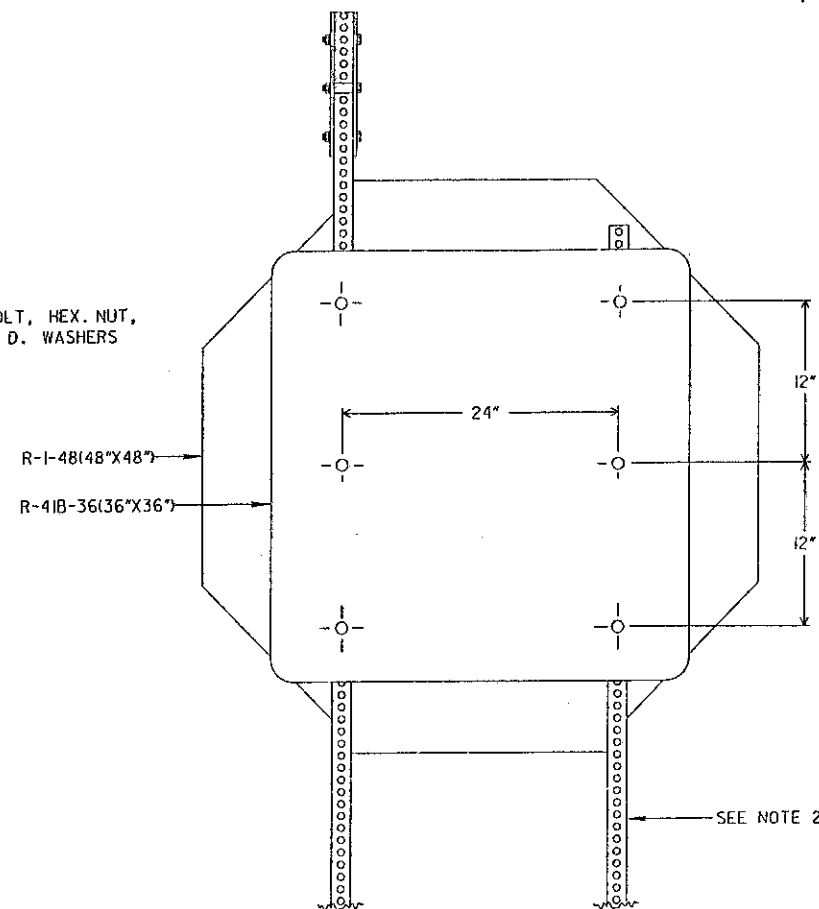
1. IN SPECIAL SITUATIONS A R-43L (R)-48 SIGN MAY BE USED IN LIEU OF THE R-43L (R)-36 SIGN.
2. ALL SUPPORTS SHALL BE SQUARE TUBULAR STEEL.
3. LENGTH OF SPACER SHALL BE EQUAL TO POST SIZE.
4. FOR POST(S) INSTALLATION DETAILS, SEE STANDARD DRAWING TC-41.20.



SECTION A-A



SINGLE POST



TWO POST

BUREAU OF DESIGN SERVICES DIVISION OF HIGHWAYS OHIO DEPARTMENT OF TRANSPORTATION	
TRAFFIC CONTROL	DATE 04/01/77
"ONE WAY" SIGN SUPPORT DETAILS	03/26/79 06/21/94
STANDARD CONSTRUCTION DRAWING TC-41.50	
APPROVED <i>J. C. [Signature]</i> ENGR. OF DESIGN SERVICES	