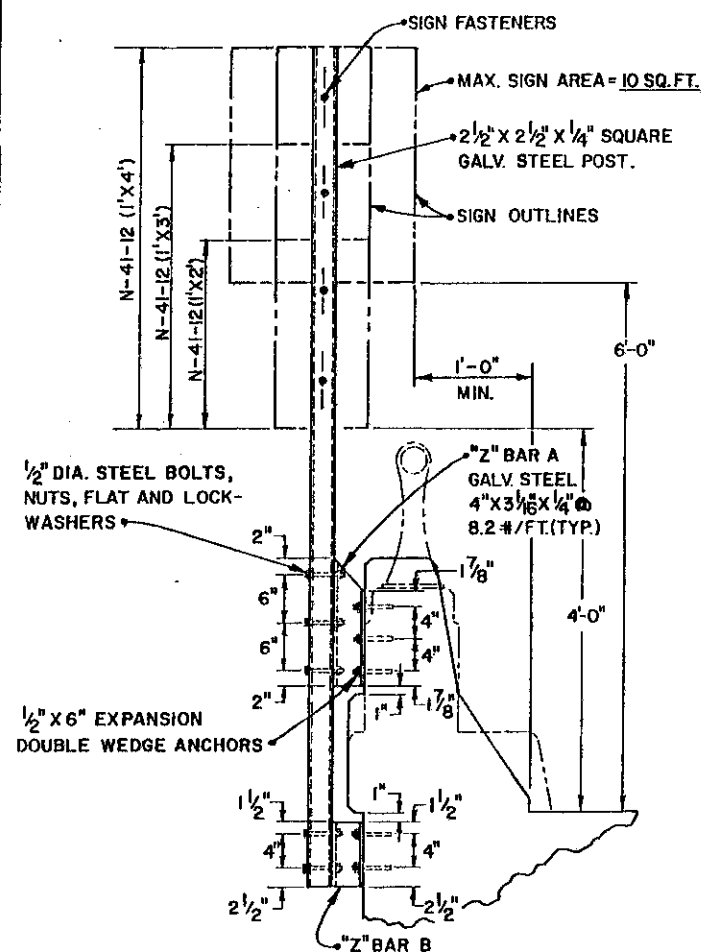
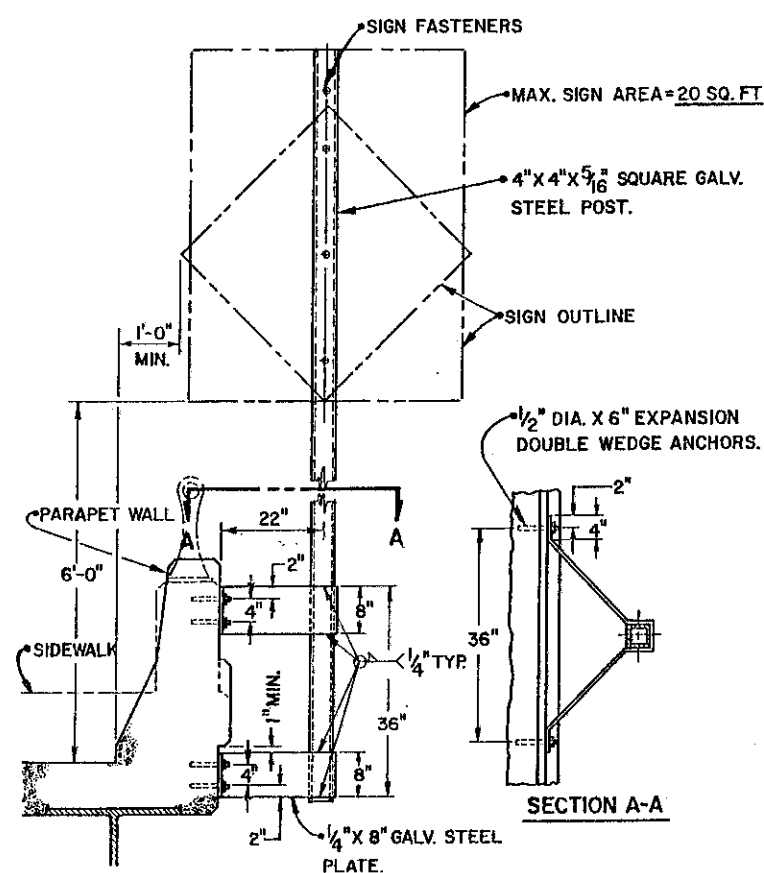


**NOTES**

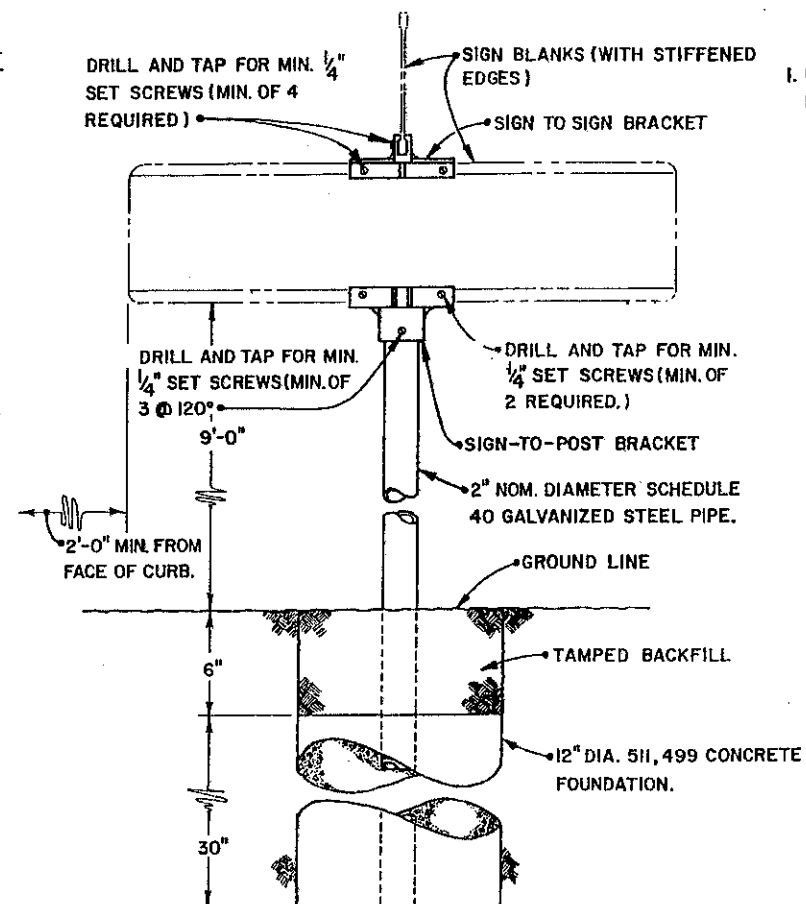
1. USE MINIMUM OF 2 BRACKETS (LOCATED 6" FROM TOP AND BOTTOM OF SIGN) PER INSTALLATION WITH MAXIMUM SPACING OF 3'-0".



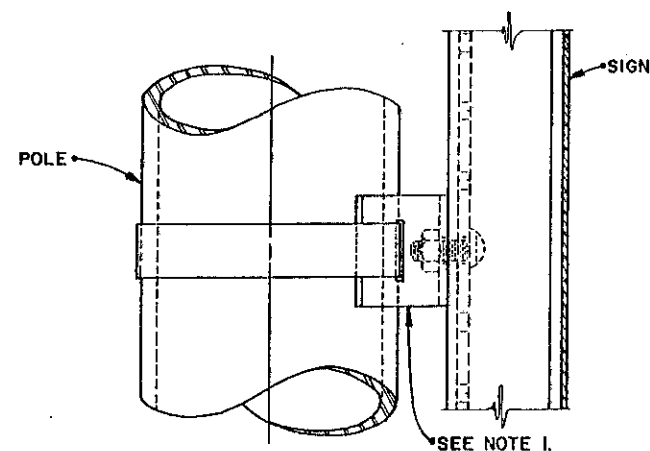
**SIGN SUPPORT ASSEMBLY,  
BRIDGE MOUNTED, TYPE I.**



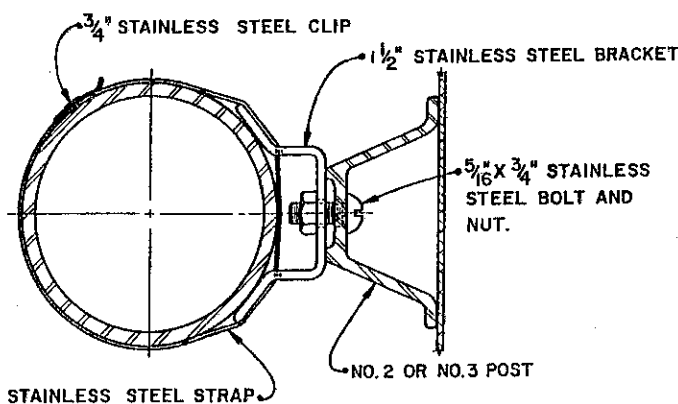
**SIGN SUPPORT ASSEMBLY,  
BRIDGE MOUNTED, TYPE 2.**



**STREET NAME SIGN SUPPORT**



**SIGN SUPPORT ASSEMBLY, POLE MOUNTED**



ALL ITEMS SHALL CONFORM TO SUPPLEMENTAL SPECIFICATIONS 857 AND 957, UNLESS OTHERWISE SPECIFIED.

BUREAU OF DESIGN SERVICES DIVISION OF HIGHWAYS OHIO DEPARTMENT OF TRANSPORTATION	
TRAFFIC CONTROL	DATE
SPECIAL SIGN	6-18-79
ATTACHMENTS AND SUPPORTS	
STANDARD CONSTRUCTION DRAWING	TC-41.40
APPROVED: <i>E. J. Kelly</i> Engineer of Design Services	