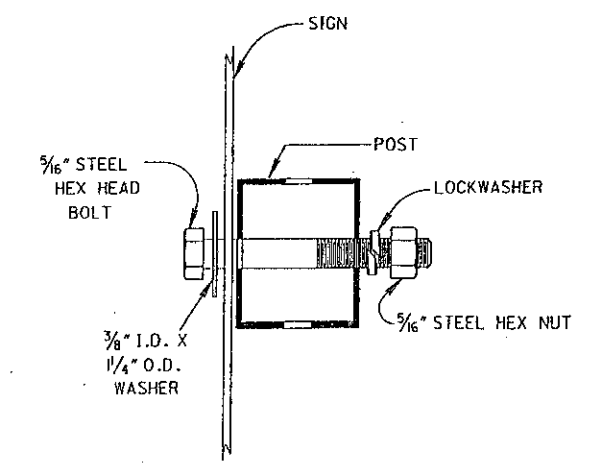
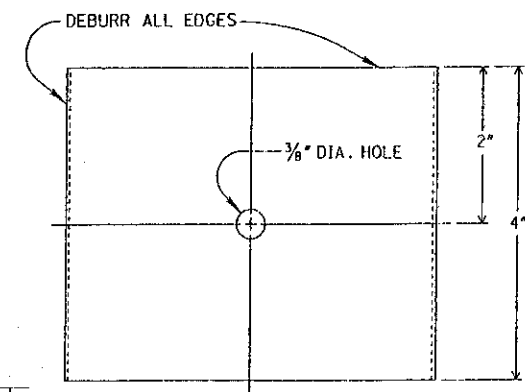
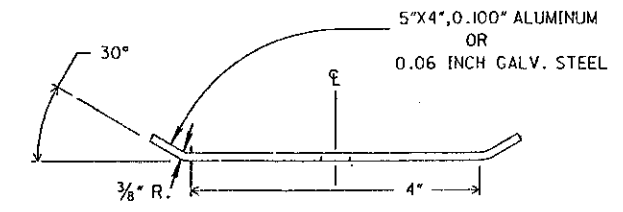
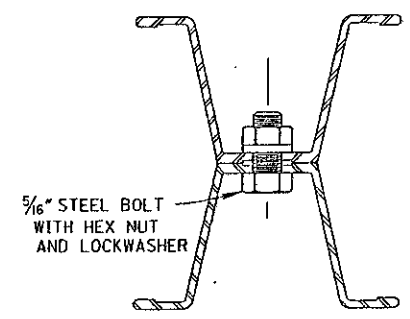


**NOTES**

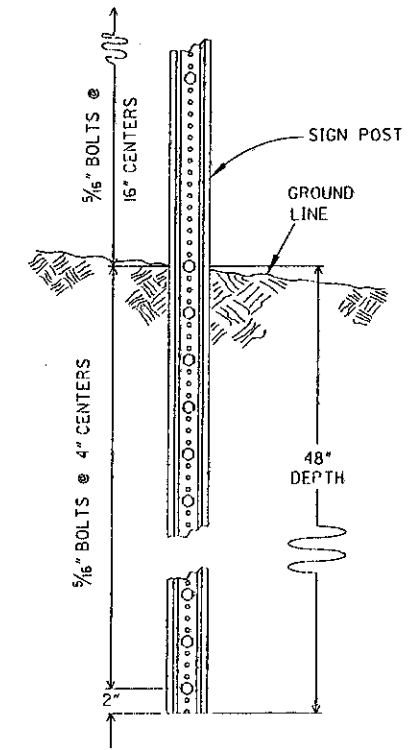
1. NUMBER 4 TYPE P AND F POST, AND NUMBER 6 TYPE P AND F POST, SHALL ONLY BE INSTALLED IN PROTECTED LOCATIONS (e.g. BEHIND GUARDRAIL). TWO POST INSTALLATIONS OF NUMBER 4 TYPE S POST SHALL BE INSTALLED IN PROTECTED LOCATIONS.
2. USE OF ANCHOR BASE WITH SQUARE POST IS OPTIONAL.
3. SQUARE POST MAY HAVE DIE-CUT KNOCKOUTS OR OPEN HOLES.

POST NO.	TYPE	LB/FT	POST DIMENSIONS (INCHES)			ANCHOR DIMENSIONS			NUMBER OF POSTS PERMITTED IN SEVEN FOOT PATH IN EXPOSED LOCATIONS
			A	B	C	A	B	C	
1	F	1.12	0.875	2.063	0.813				
	P	2.00	1.469	3.063	1.281				2
2	F	2.00	1.516	3.125	1.250				2
	S		2.000	2.000	0.083	2.250	2.250	0.105	2
	P	3.00	1.875	3.500	1.313				2
3	F	3.00	1.750	3.500	1.625				2
	S		2.000	2.000	0.083	2.250	2.250	0.105	2
	P	4.00	TWO NO.2 POST						0
4	F	4.00	TWO NO.2 POST						0
	S		2.500	2.500	0.105	3.00	3.00	0.188	1
	P	6.00	TWO NO.3 POST						0
6	F	6.00	TWO NO.3 POST						0

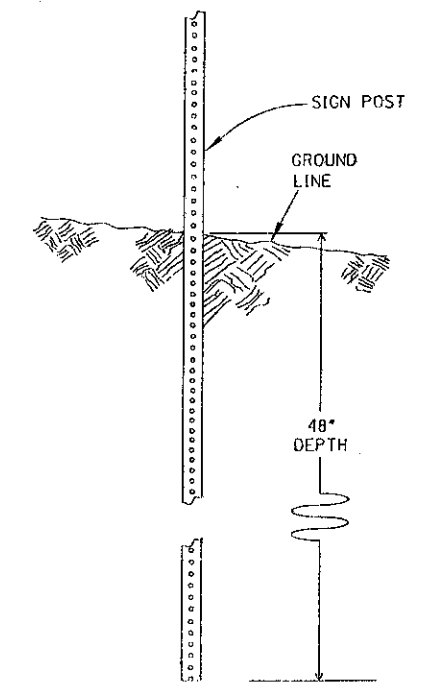
**U - CHANNEL SIGN ATTACHMENT DETAIL**



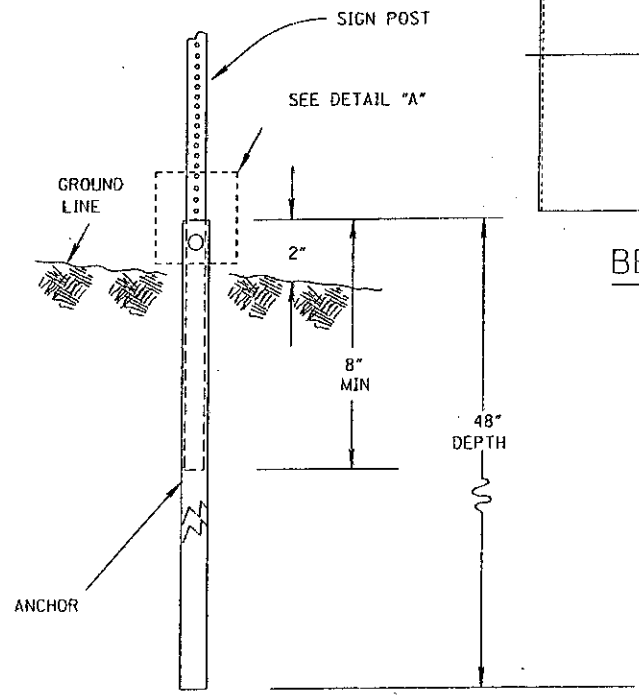
**SQUARE POST SIGN ATTACHMENT DETAIL**



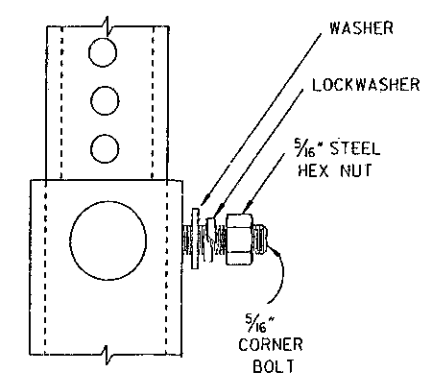
**TYPICAL U - CHANNEL DRIVEN INSTALLATION**



**TYPICAL SQUARE POST DRIVEN INSTALLATION**



**TYPICAL SQUARE POST ANCHOR BASE INSTALLATION**



**DETAIL "A"**

BUREAU OF DESIGN SERVICES DIVISION OF HIGHWAYS OHIO DEPARTMENT OF TRANSPORTATION	
TRAFFIC CONTROL	DATE 04/01/77 03/26/79 06/21/94
YIELDING POST	
STANDARD CONSTRUCTION DRAWING APPROVED: <i>[Signature]</i> ENGR. OF DESIGN SERVICES	TC-41.20