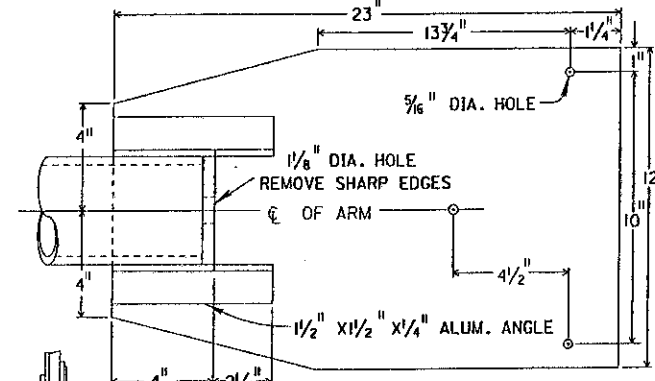


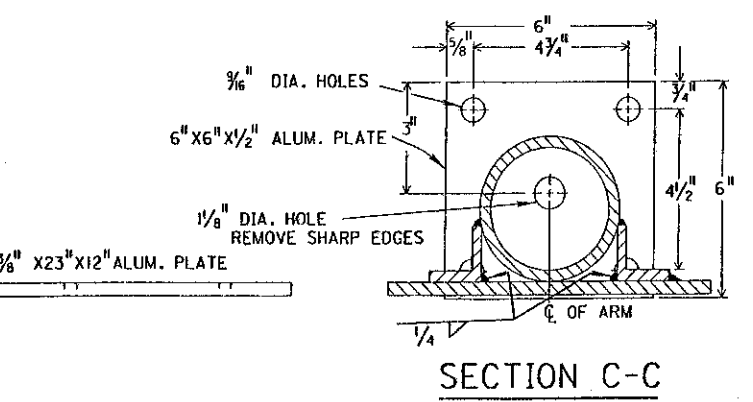
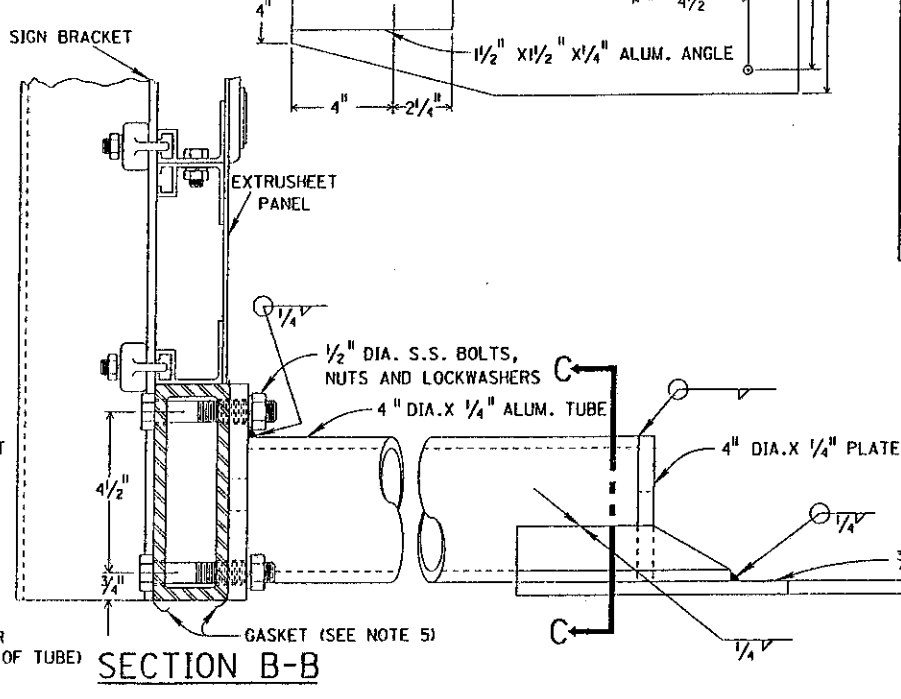
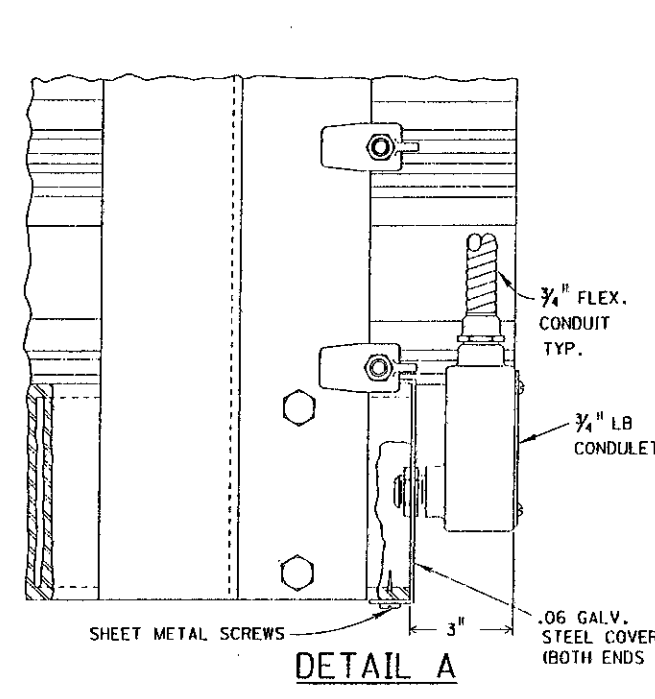
- ### NOTES
- TWO WIRE OUTLETS SHALL BE USED FOR INSTALLATIONS OF MORE THAN TWO LUMINAIRES PER SIGN.
 - FOR MISCELLANEOUS OVERHEAD SIGN SUPPORT DETAILS, SEE DRAWING TC-22.10.
 - THE EXIT PANEL, ATTACHED AT THE SIGN TOP, SHALL NOT BE CONSIDERED PART OF THE OVERALL SIGN HEIGHT.
 - LUMINAIRES SHALL BE ADJUSTED TO PROPER AIMING ANGLE ACCORDING TO THE MANUFACTURER'S INSTRUCTIONS.
 - CONTACT BETWEEN ALUMINUM AND GALVANIZED PARTS SHALL BE PREVENTED WITH A MINIMUM 1/16" THICK CHLOROPRENE GASKET OR APPROVED EQUAL.

OVERALL SIGN HEIGHT	SUPPORT ARM LENGTH "G"	LAMP WATTS	ANSI LAMP CODE	BALLAST TYPE
5'-0" TO 6'-0"	2'-9"	100	H38HT-100	CMRI-100(a)
6'-6" TO 7'-6"	3'-3"	175	H39KB-175	CMRI-175(a)
8'-0" TO 11'-0"	4'-3"	175	H39KB-175	CMRI-175(a)
11'-6" TO 14'-0"	5'-9"	250	H37KB-250	CMRI-250(a)

(a) = OPERATING VOLTAGE



SIGN LENGTH (FEET)	NUMBER OF LUMINAIRES	LUMINAIRE & SUPPORT ARM SPACING				NUMBER OF BRACKETS	SIGN BRACKET SPACING (INCHES)				
		1	2	3	4		1	2	3	4	
4	1	2'	2'			2	6	36	6		
5		2'-6"	2'-6"				6	48	6		
6		3'	3'				6	60	6		
7		3'-6"	3'-6"				6	72	6		
8		4'	4'				10 1/2	75 1/2	10 1/4		
9	2	4'-6"	4'-6"			3	16 1/2	75 1/2	16 1/4		
10		5'	5'				10 1/2	99 1/2	10 1/4		
11		5'-6"	5'-6"				16 1/2	99 1/2	16 1/4		
12		3'	6'	3'			6	66	66	6	
13		3'-6"	6'	3'-6"			6	72	72	6	
14	3	4'	6'	4'		4	8 1/2	75 1/2	75 1/2	8 1/2	
15		4'-6"	6'	4'-6"			14 1/2	75 1/2	75 1/2	14 1/2	
16		4'	8'	4'			8 1/2	75 1/2	99 1/2	8 1/2	
17		4'-6"	8'	4'-6"			14 1/2	75 1/2	99 1/2	14 1/2	
18		4'	10'	4'			8 1/2	99 1/2	99 1/2	8 1/2	
19	4	4'-6"	10'	4'-6"		4	14 1/2	99 1/2	99 1/2	14 1/2	
20		4'	6'	6'	4'		7	75 1/2	75 1/2	75 1/2	6 1/2
21		4'-6"	6'	6'	4'-6"		13	75 1/2	75 1/2	75 1/2	12 1/2
22		4'	7'	7'	4'		7	75 1/2	75 1/2	99 1/2	6 1/2
23		4'-6"	7'	7'	4'-6"		13	75 1/2	75 1/2	99 1/2	12 1/2
24	4	4'	8'	8'	4'	4	7	75 1/2	99 1/2	99 1/2	6 1/2
25		4'-6"	8'	8'	4'-6"		13	75 1/2	99 1/2	99 1/2	12 1/2
26		4'	6'	6'	6'		7	99 1/2	99 1/2	99 1/2	6 1/2
27		4'-6"	6'	6'	6'		13	99 1/2	99 1/2	99 1/2	12 1/2



BUREAU OF DESIGN SERVICES
DIVISION OF HIGHWAYS
OHIO DEPARTMENT OF TRANSPORTATION

TRAFFIC CONTROL

MERCURY VAPOR SIGN LIGHTING DETAILS II

STANDARD CONSTRUCTION DRAWING TC-31.21

APPROVED *Ray J. Cragg* ENGR. OF DESIGN SERVICES

DATE
08/27/76
03/06/79
09/01/92