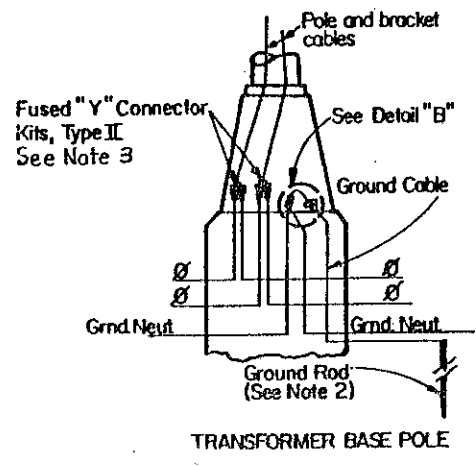
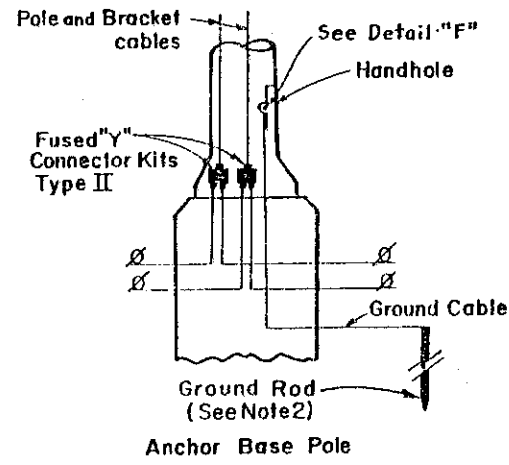


ANCHOR BASE POLE

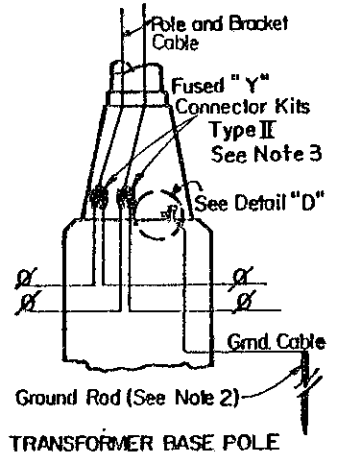


TRANSFORMER BASE POLE

120/240 VOLTS, THREE WIRE, GROUNDED NEUTRAL

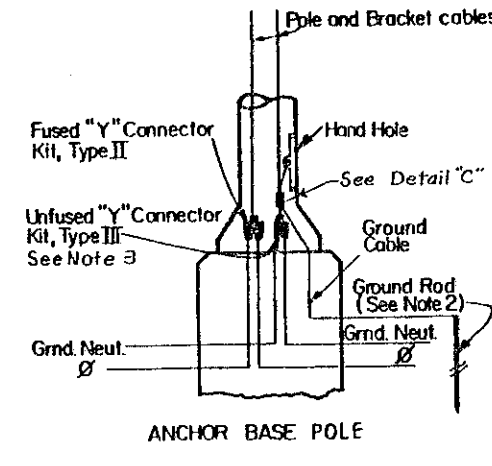


Anchor Base Pole

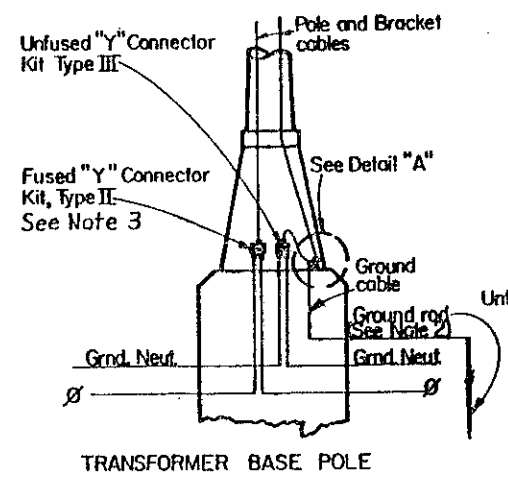


TRANSFORMER BASE POLE

240 or 480 VOLTS, TWO-WIRE, UNGROUNDED

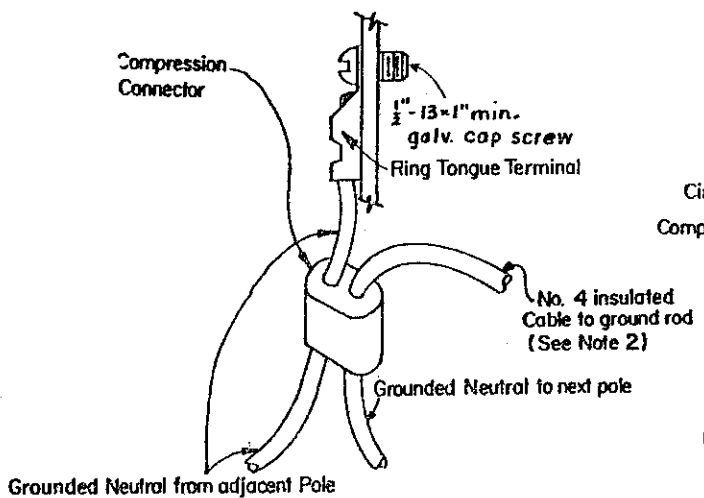


ANCHOR BASE POLE



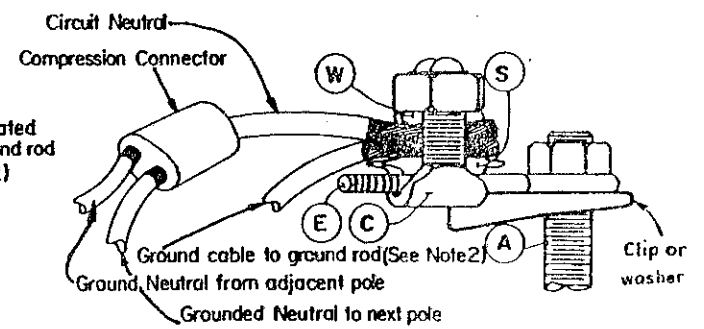
TRANSFORMER BASE POLE

480 VOLT, TWO-WIRE, GROUNDED NEUTRAL



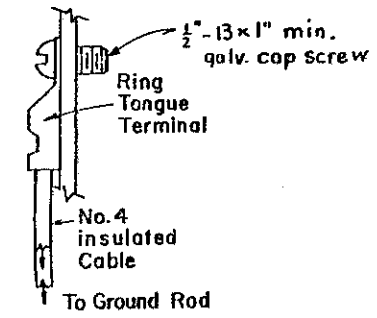
DETAIL "E"

3-Wire, Grounded Neutral Anchor Base Pole



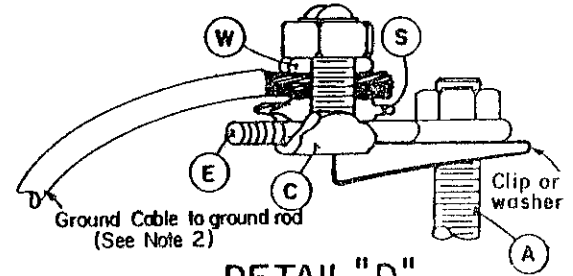
DETAIL "B"

3-WIRE, GROUNDED NEUTRAL Transformer Base Pole



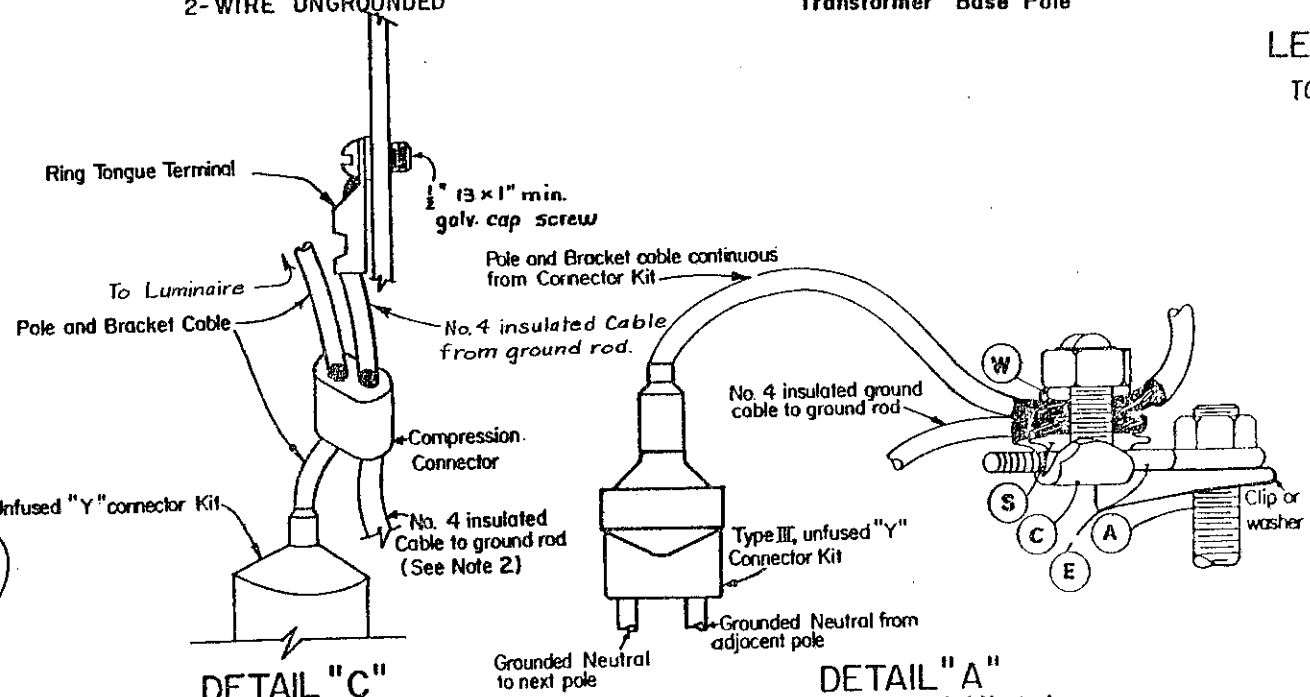
DETAIL "F"

2-WIRE UNGROUNDED



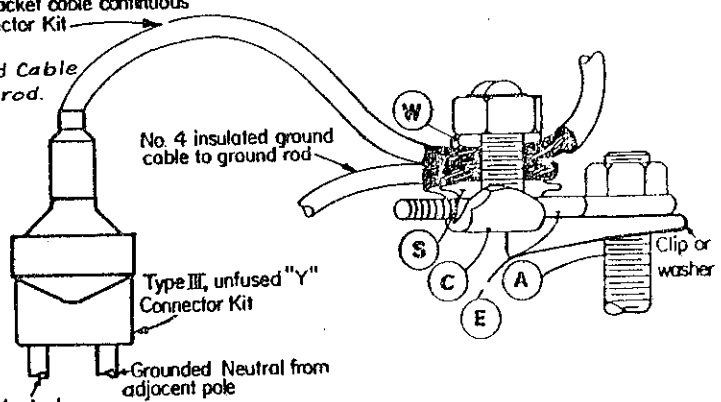
DETAIL "D"

2-Wire, Ungrounded Circuit Transformer Base Pole



DETAIL "C"

2-Wire, Grounded Neutral Anchor Base Pole

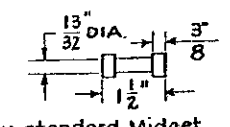


DETAIL "A"

2-Wire Grounded Neutral Transformer Base Pole

NOTES

1. Provide sufficient slack in all cables to permit bringing Kits outside of pole base through handhole of anchor base poles or door in transformer base poles.
2. For structure-mounted poles substitute "Structure grounding system" for "ground rod".
3. Fuses for connector Kits shall be as follows:



Any standard Midget Ferrule type fuse, (except glass tube) may be used in this connection. Fuses rated 600 volts and 10 amperes minimum shall be used unless otherwise specified.

LEGEND of ITEMS COMMON to DETAILS "A", "B", & "D"

- (A) Anchor Bolt
- (C) Tin Plated Copper Split Bolt Connector with the following components:
 - (S) Spacer (Tin plated)
 - (W) Washer
 - (E) 3/8" X 4" Galv. Steel eyebolt

BUREAU OF DESIGN SERVICES DIVISION OF HIGHWAYS	
OHIO DEPARTMENT OF TRANSPORTATION	
HIGHWAY LIGHTING	
POLE WIRING I	
STANDARD CONSTRUCTION DRAWING	HL-60.11
APPROVED	Engr. of Design Services

DATE
5-1-87