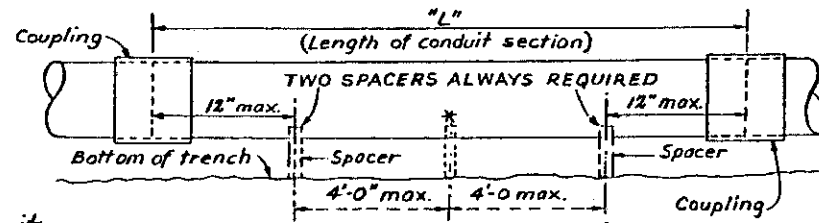
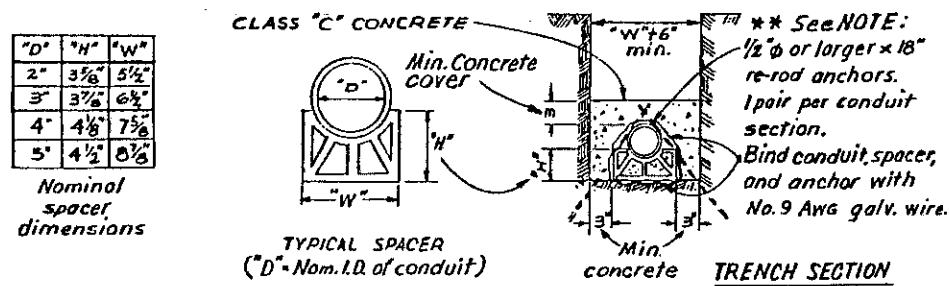


TRENCH IN PAVED AREAS

CONCRETE ENCASED CONDUIT



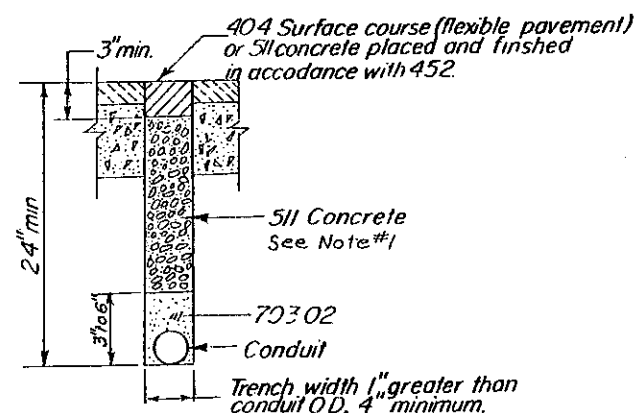
* Intermediate spacer required when "L" equals 10'-0"
Additional spacers shall be required when "L" exceeds 10'-0"

SIDE ELEVATION

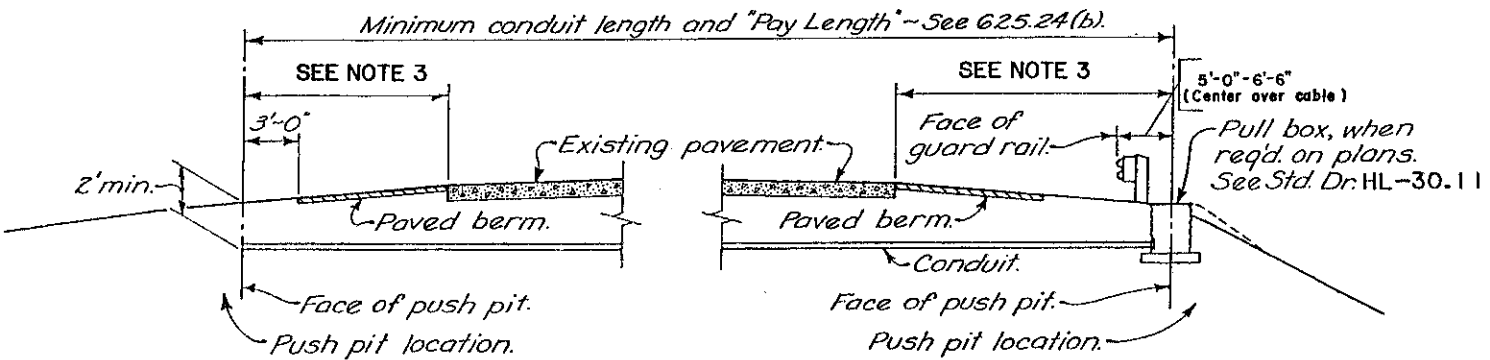
** NOTE: DELETE ANCHORS AND BINDING WIRE WHEN USING STEEL CONDUIT.

NOTES

1. At trench locations in paved areas, replacement of disturbed flexible pavement shall consist of 511 Concrete placed to within 2" of the surface and a 404 Surface course matching the existing surface. Replacement of disturbed rigid pavement shall consist of 511 Concrete with surface placed and finished in accordance with 452.
2. Site clearing and restoration shall be in accordance with 603.09.
3. When undermining shoulder areas that do not have paved berms provide 3/4" thick steel surface plates, corrugated pipe sleeves, shoring or other approved means to prevent cave-in.
4. When conduit is jacked or drilled under divided pavements cable may be installed in a trench through the median area when specified in the plans.



NARROW SLIT TYPE TRENCH



CONDUIT JACKED UNDER PAVEMENT

BUREAU OF DESIGN SERVICES DIVISION OF HIGHWAYS OHIO DEPARTMENT OF TRANSPORTATION	
HIGHWAY LIGHTING	DATE 5-1-87
ROADWAY CONDUIT DETAILS II	
STANDARD CONSTRUCTION DRAWING	HL-30.22
APPROVED: [Signature] Engr. of Design Services	